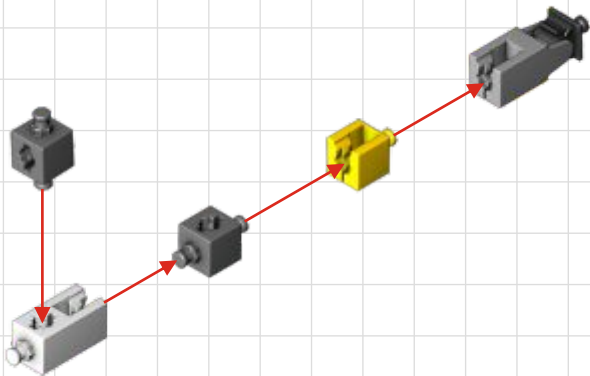
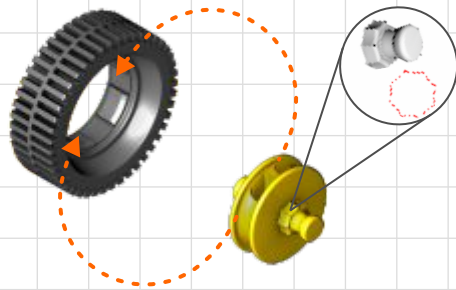
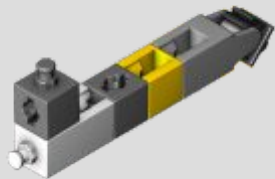


01

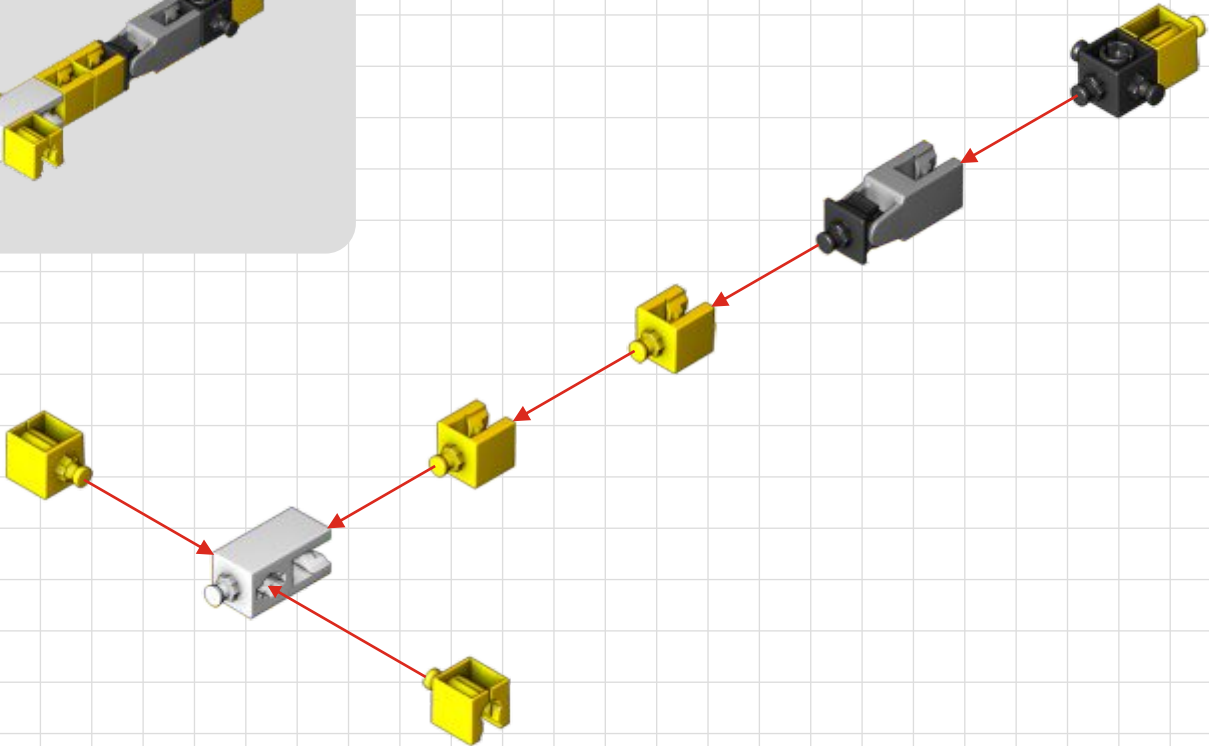
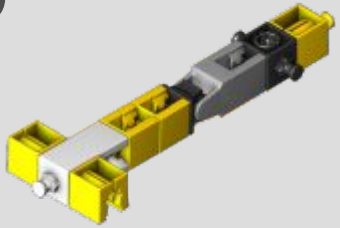
02 x4



03 x2

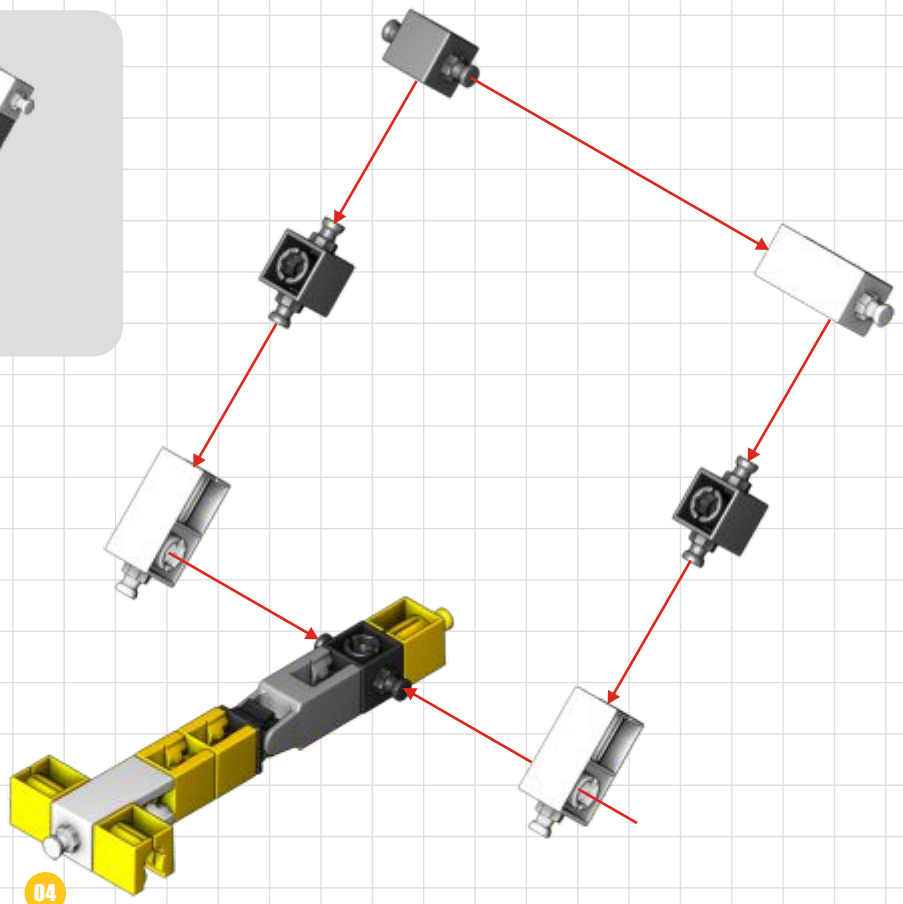
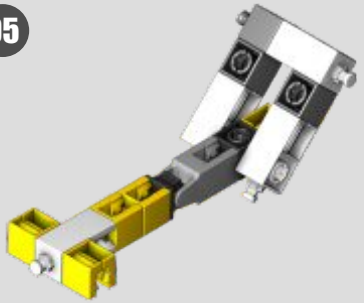


04



03

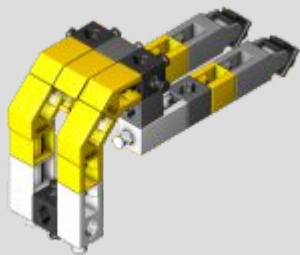
05



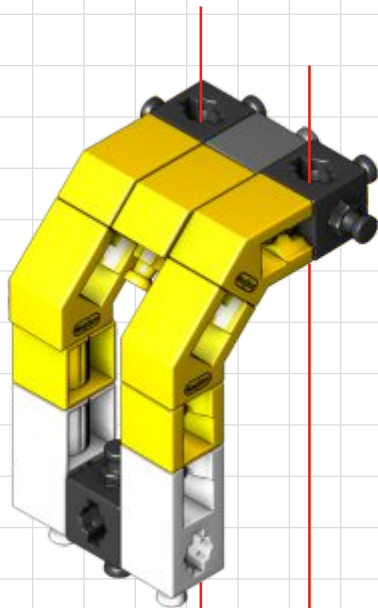
04

04

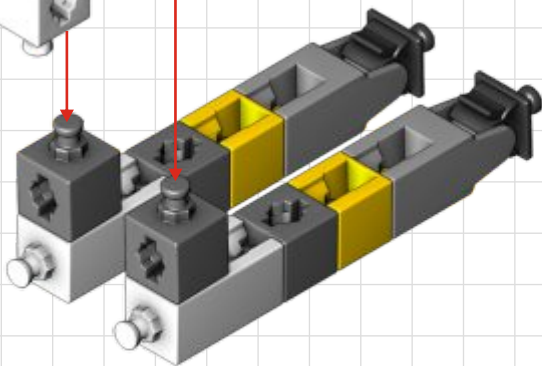
06



01

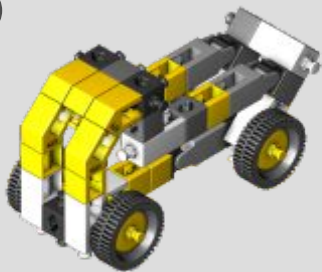


03

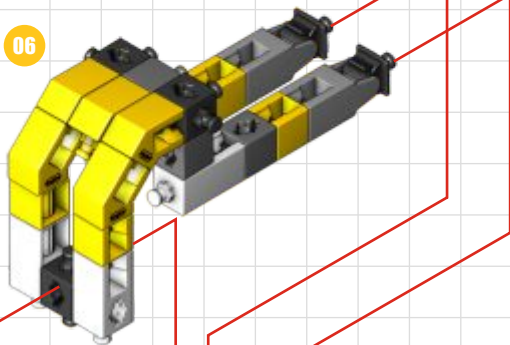


05

07



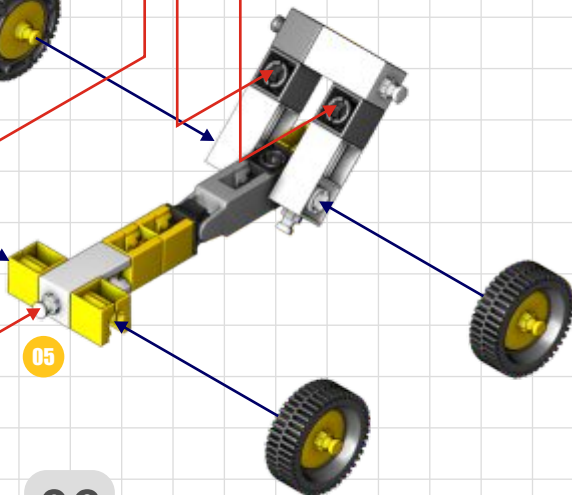
06



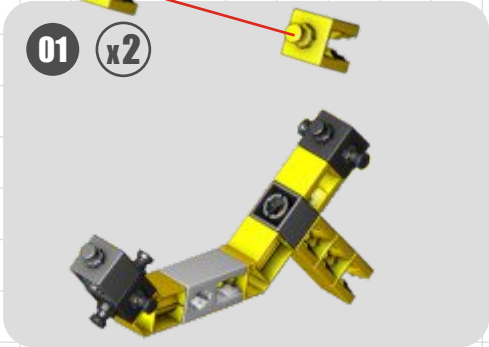
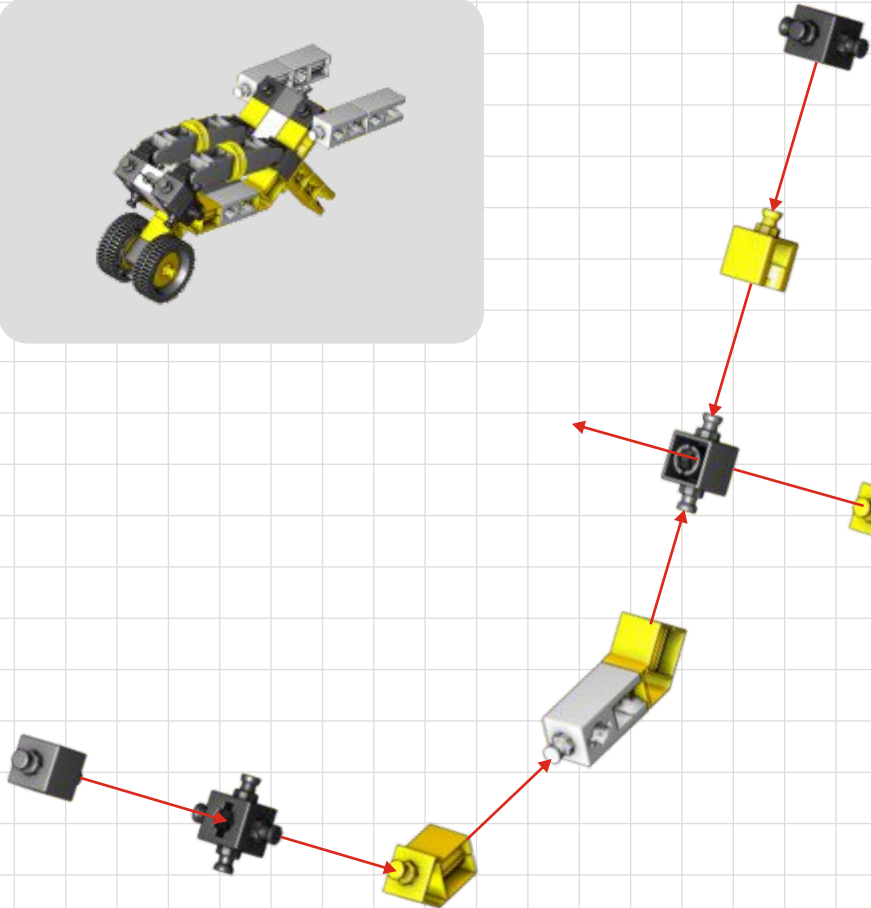
02



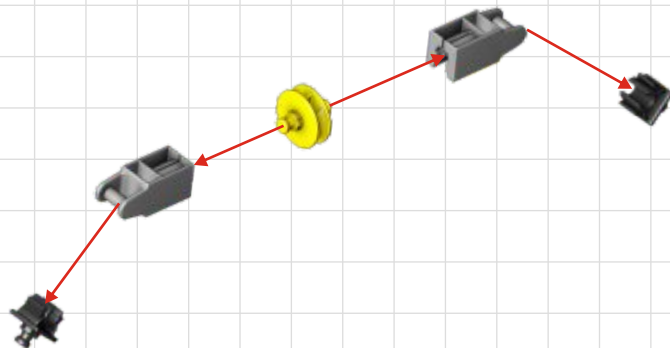
05



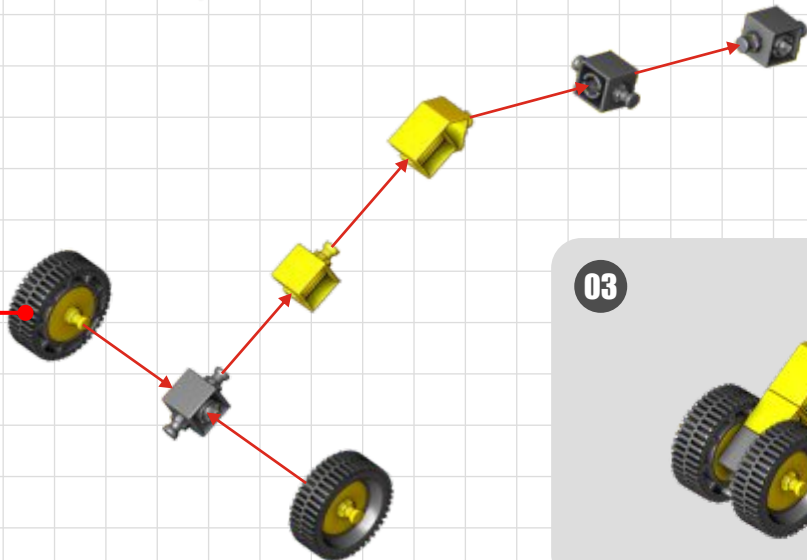
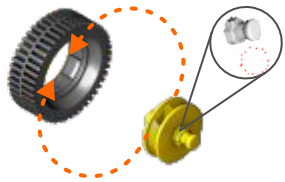
06



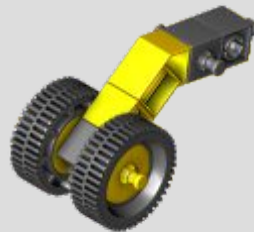
02 x2



x2

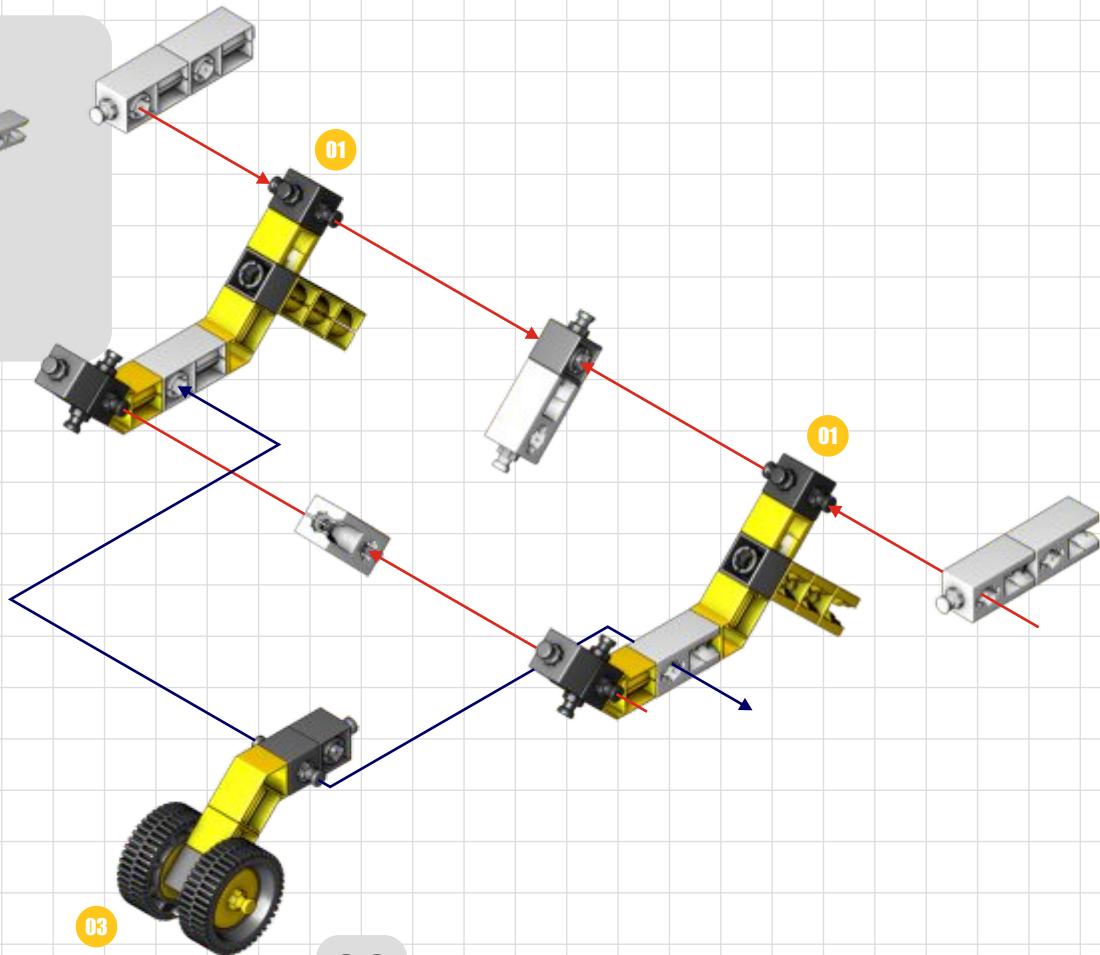


03



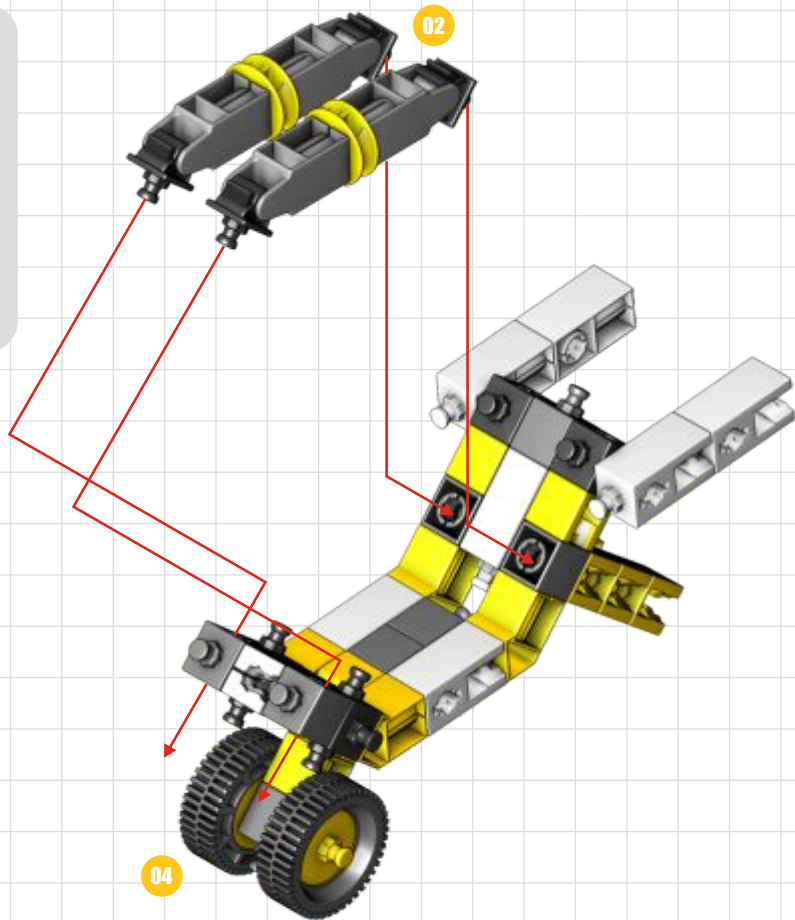


04



09

05





x2



x1



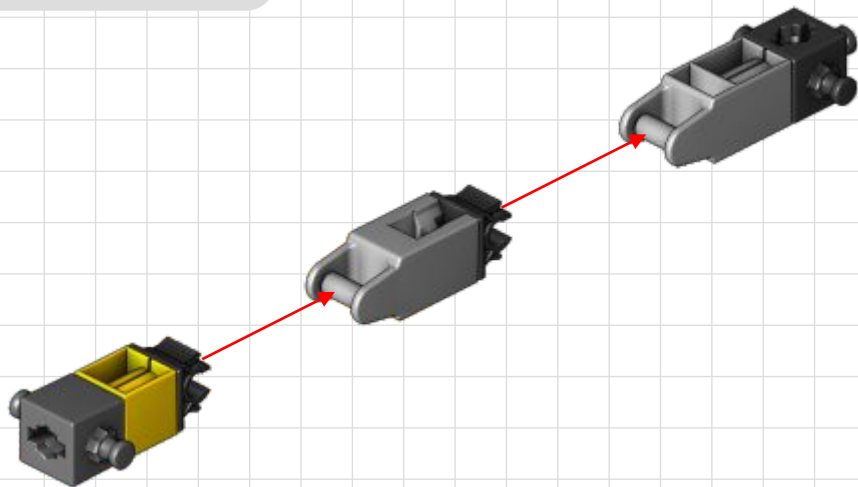
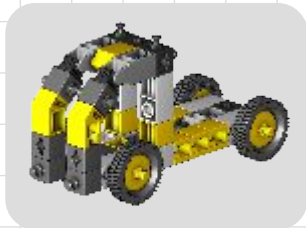
x1



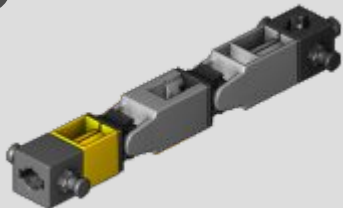
x1



x2



01





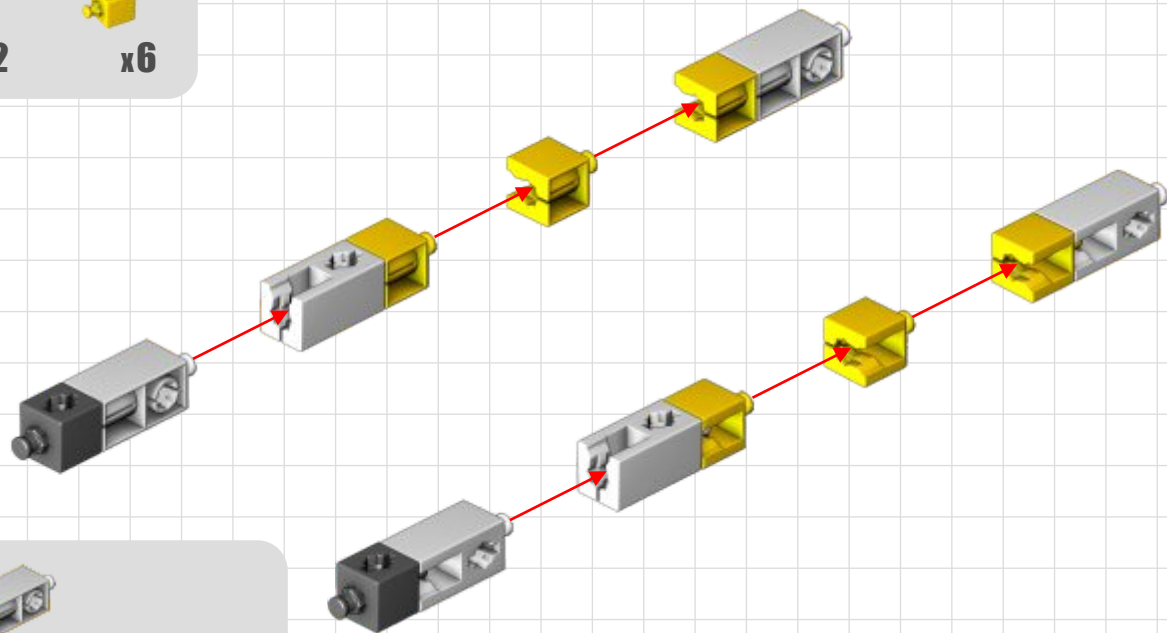
x6



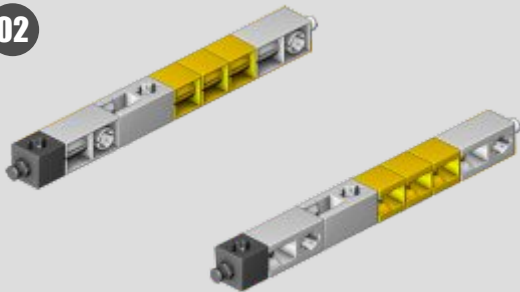
x2

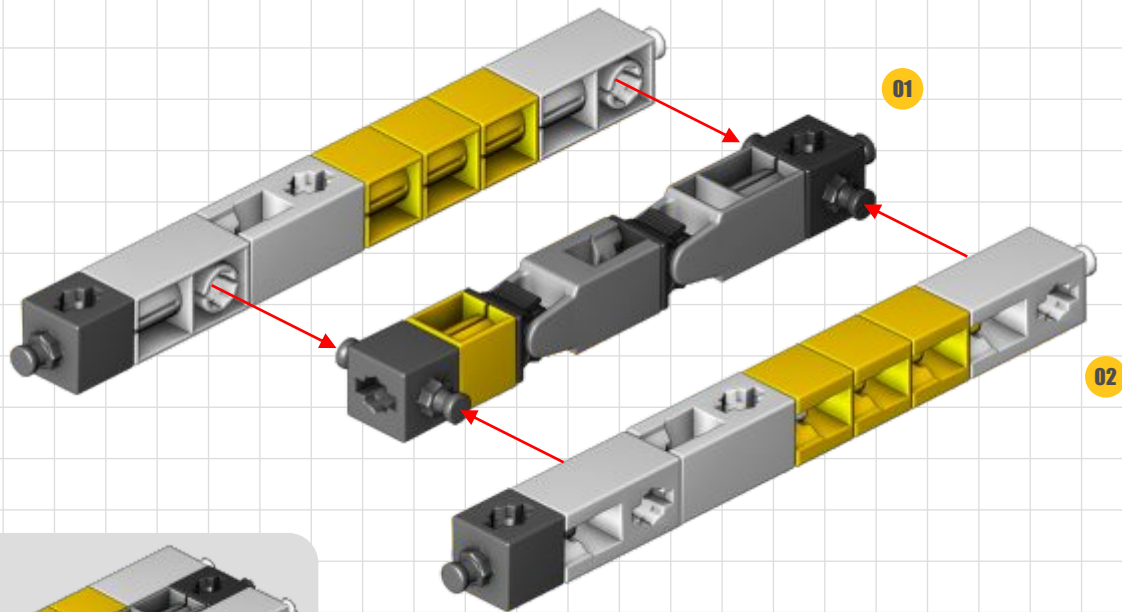


x6



02





03



x2



x2



x3



x4



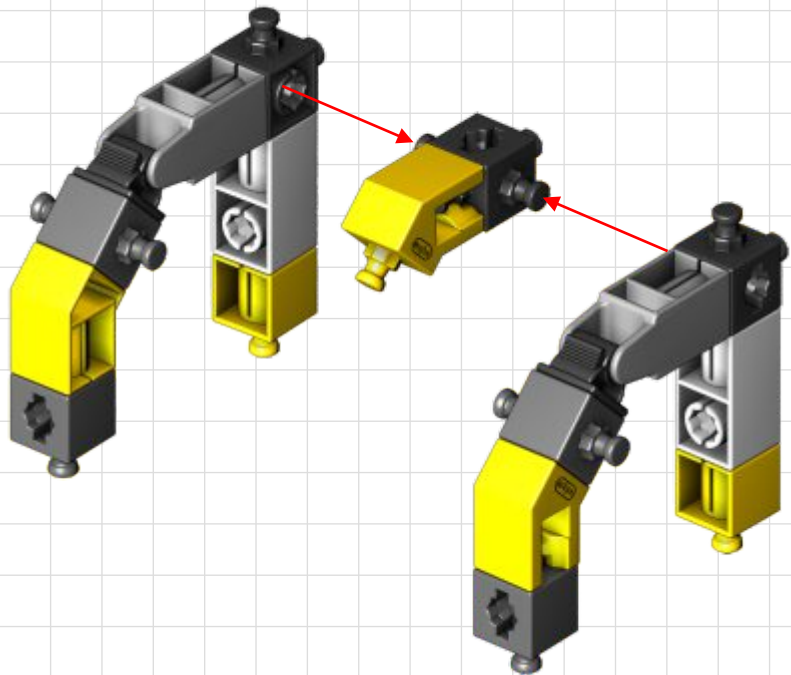
x3



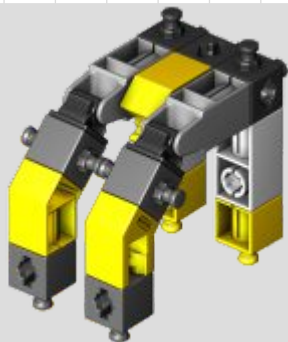
x2

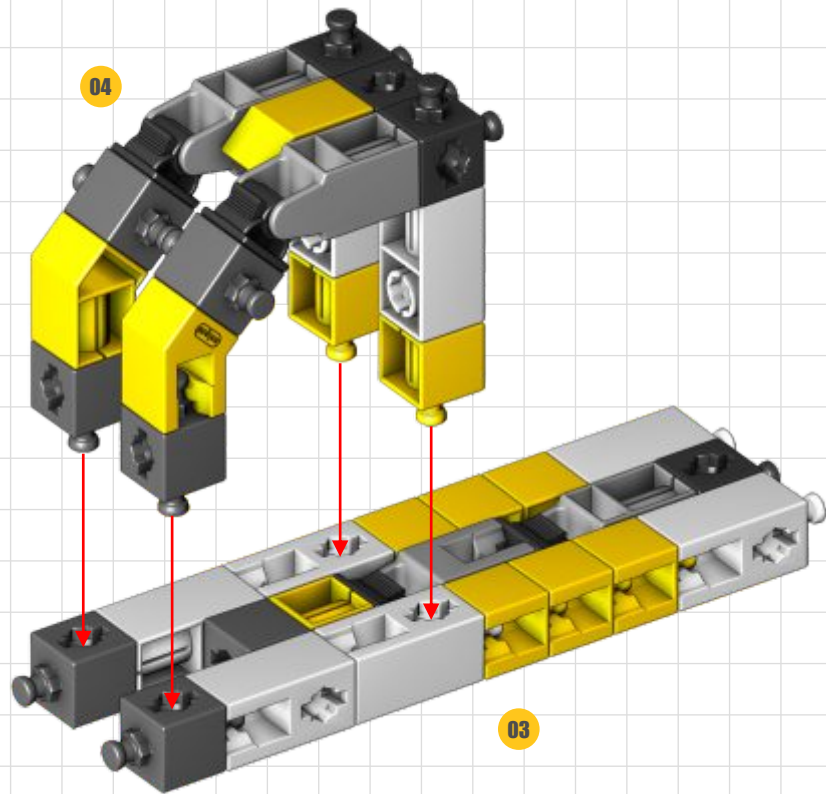
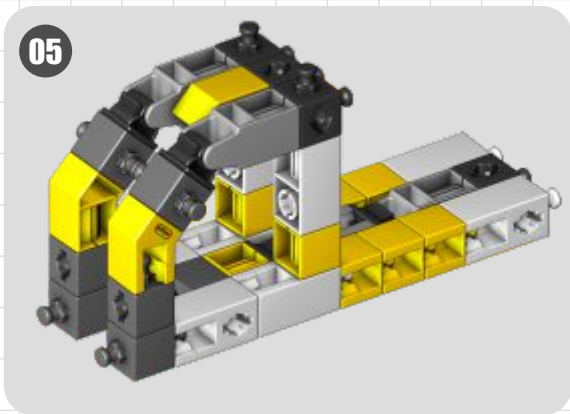


x2



04





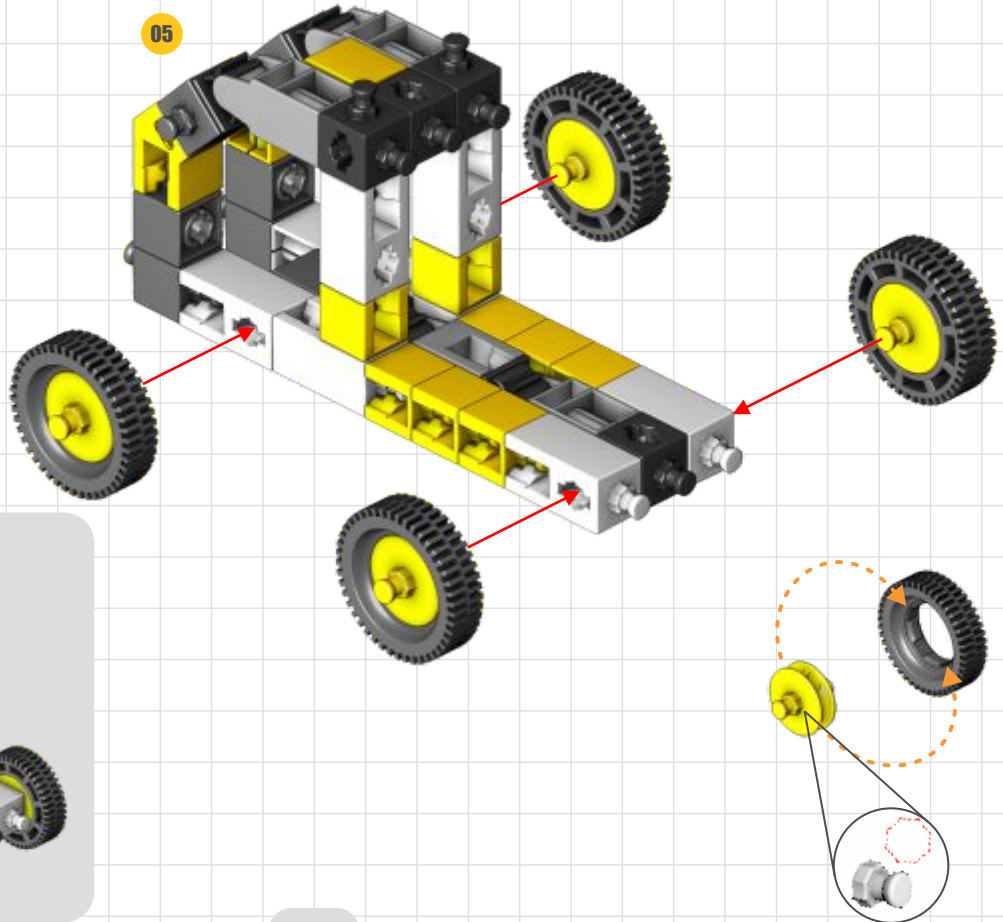


x4

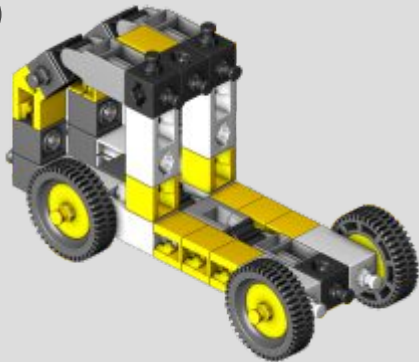


x4

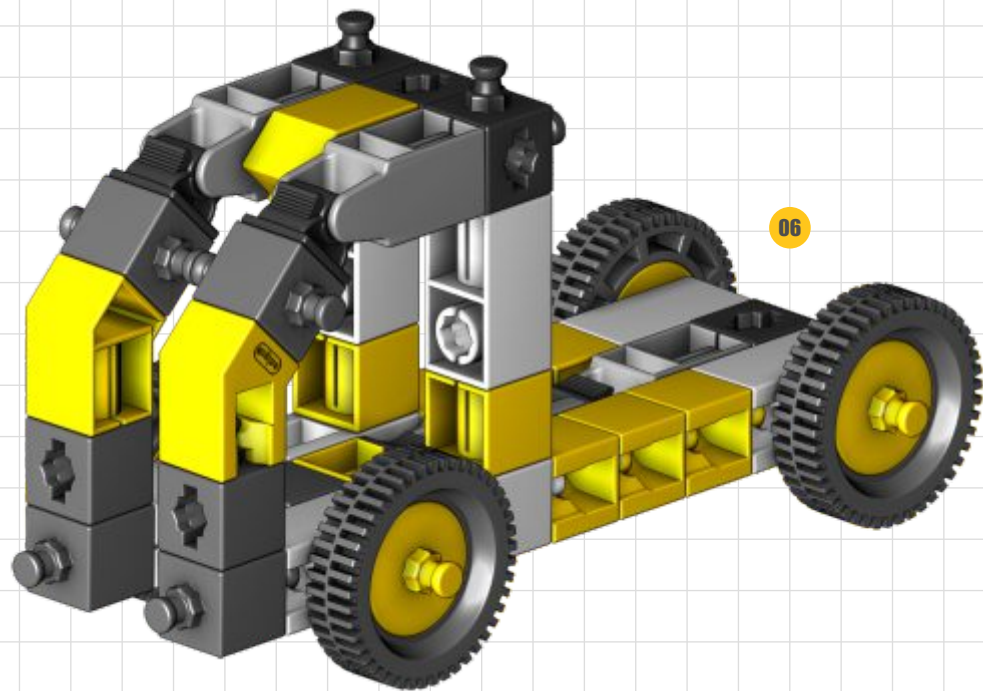
05



06









x4



x4



x4



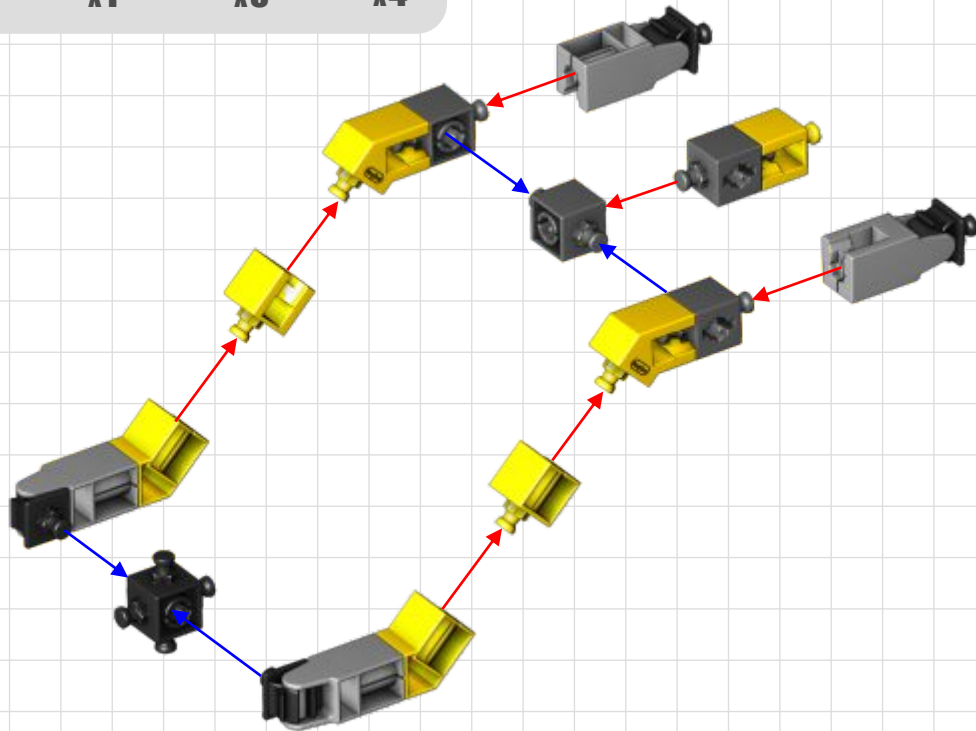
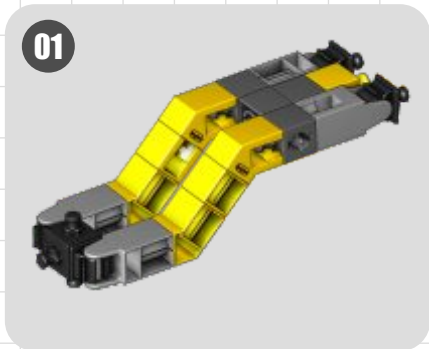
x1



x3



x4





x1

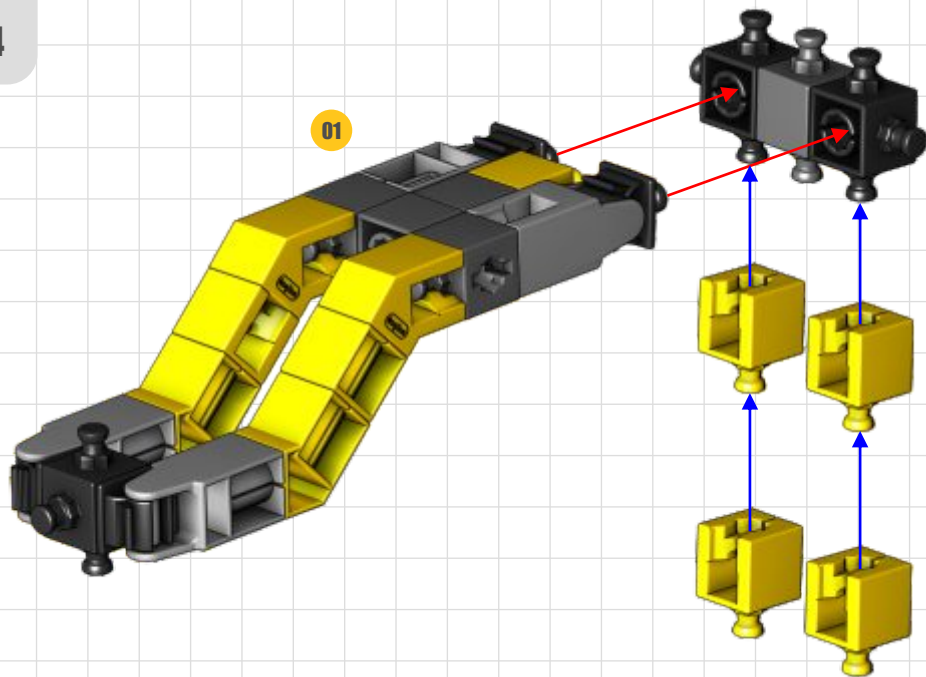


x2

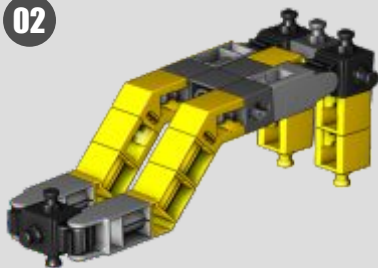


x4

01



02





x8



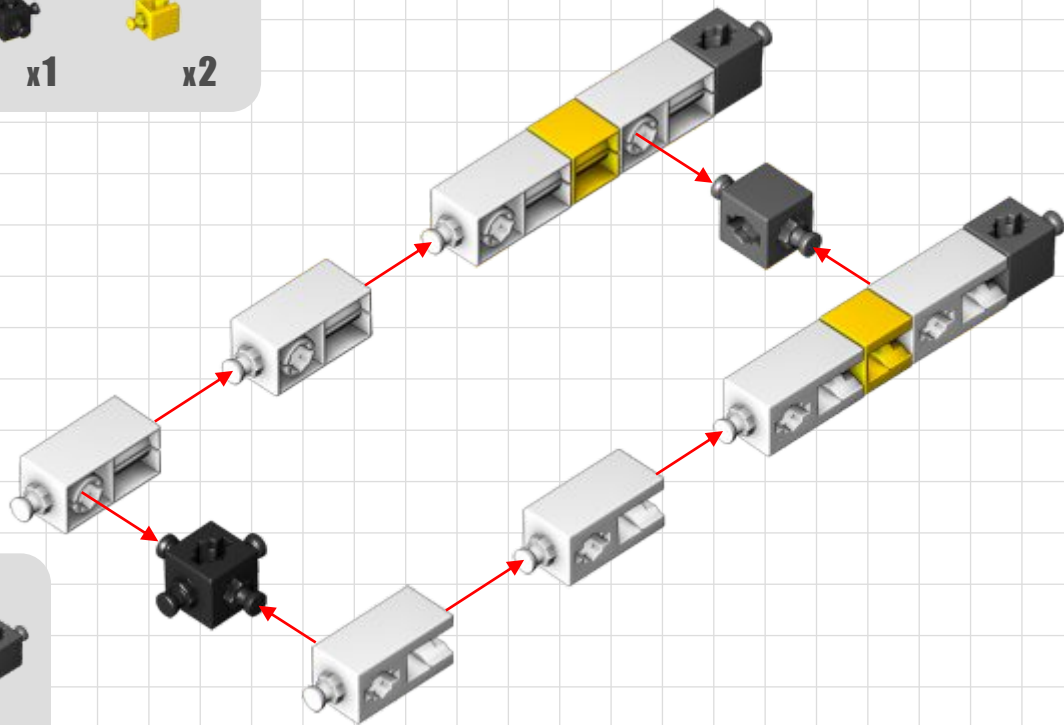
x3



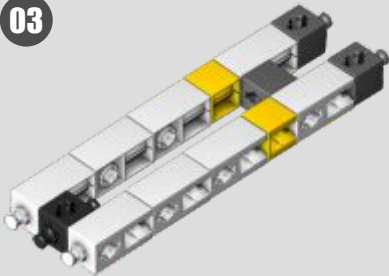
x1

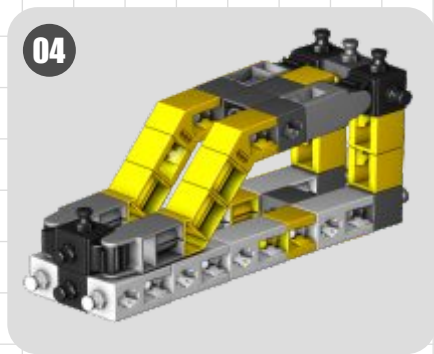
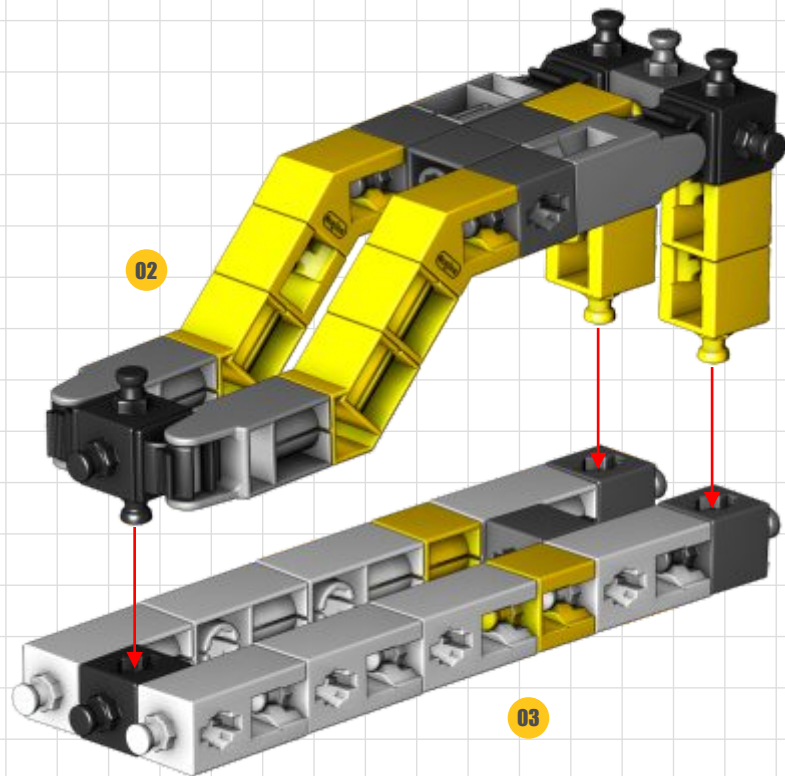


x2



03



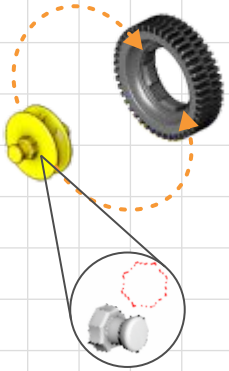




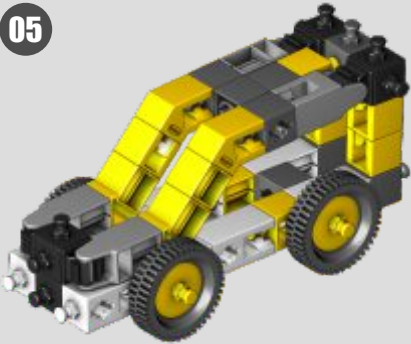
x4



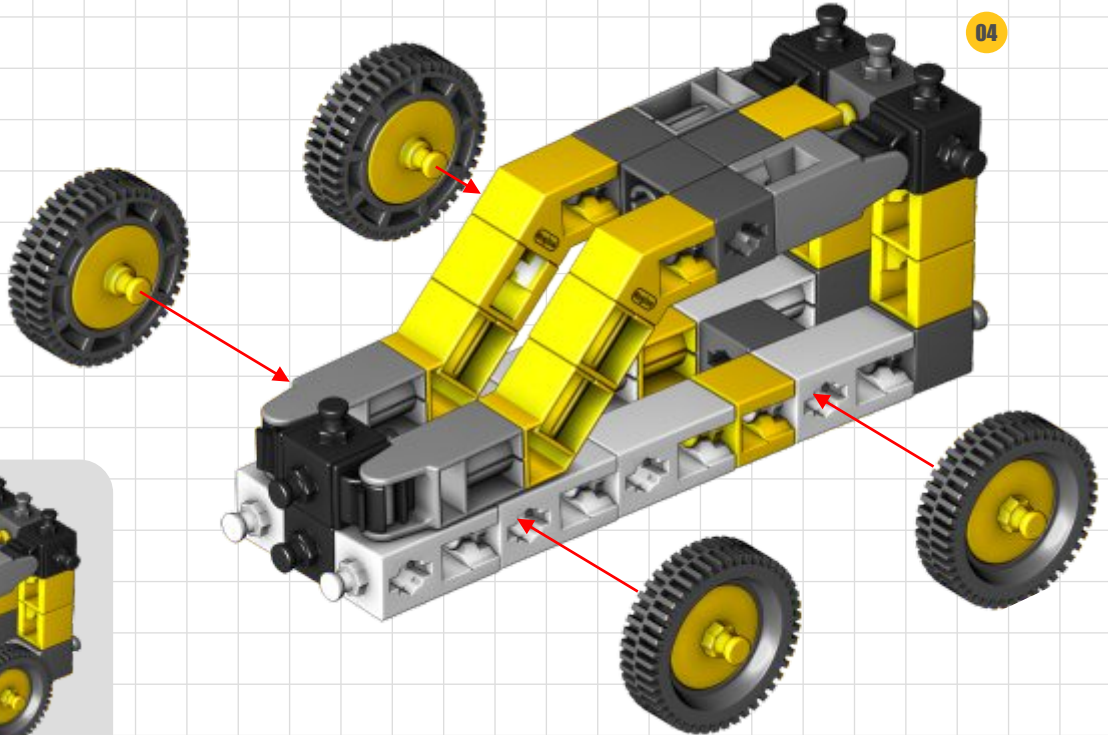
x4

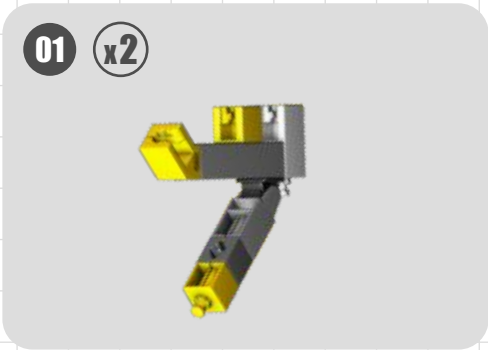
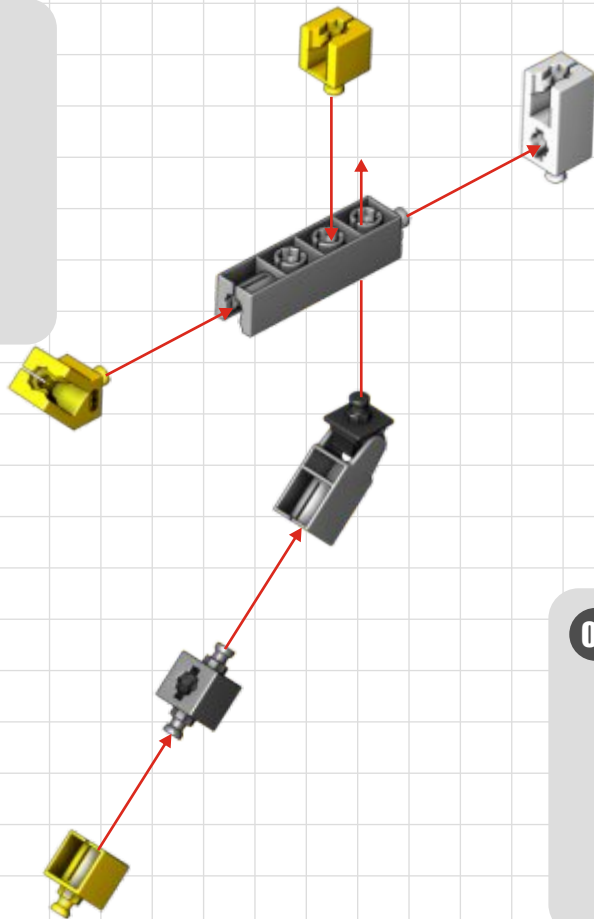
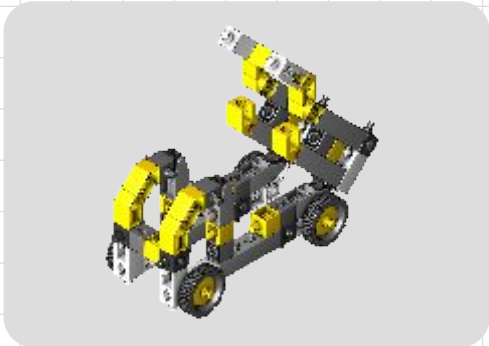


05

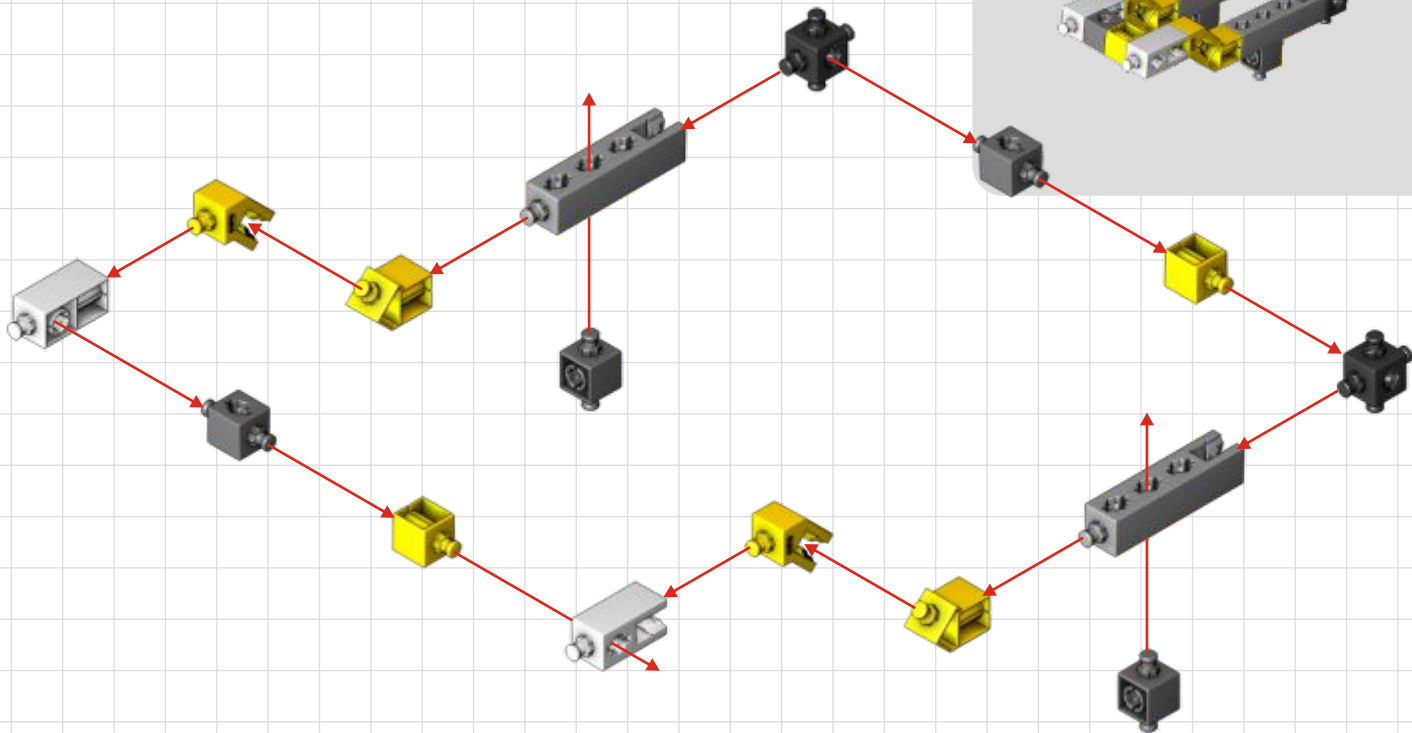
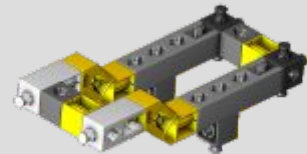


04



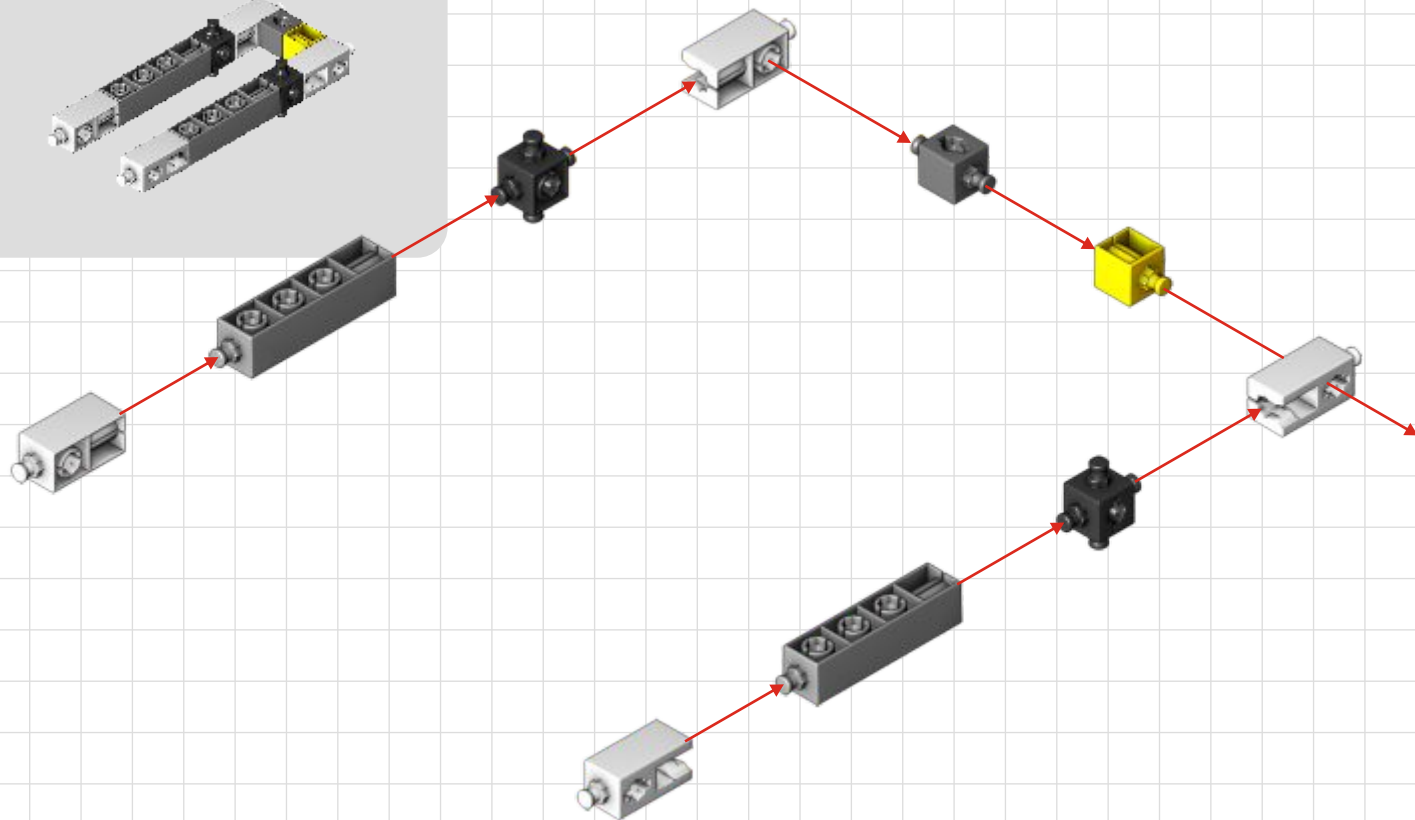
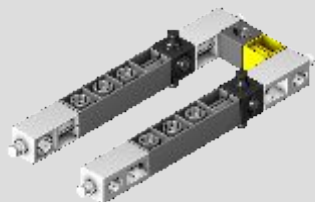


02

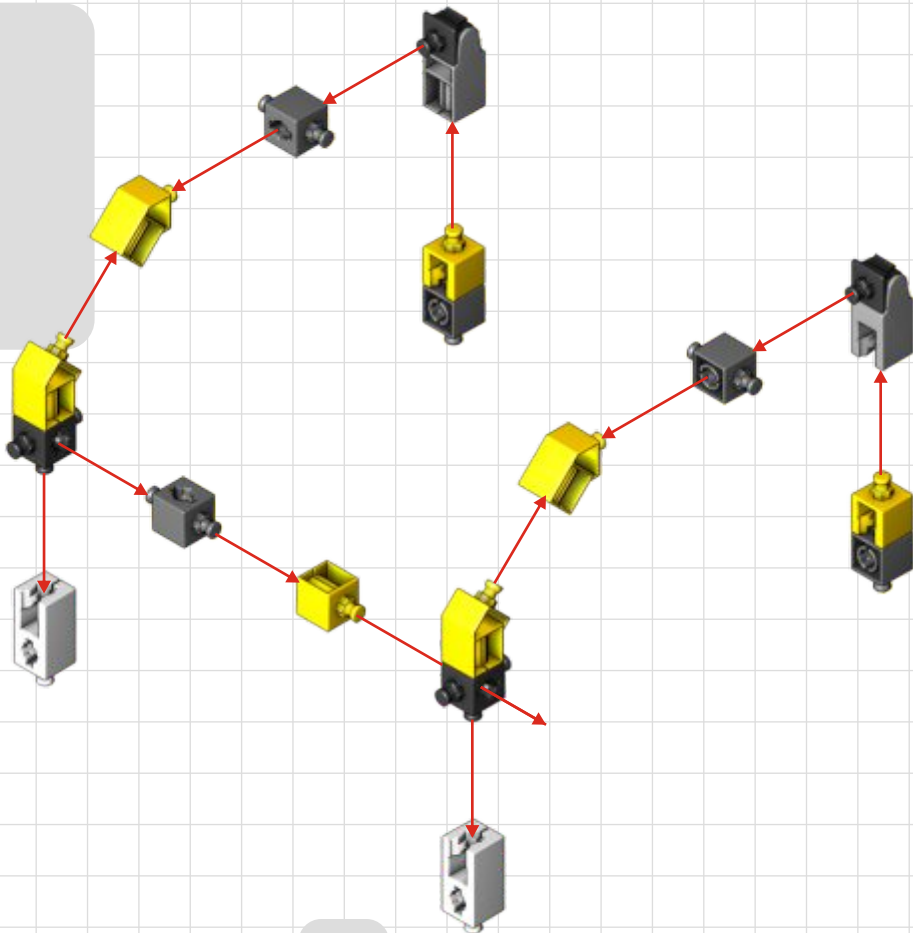
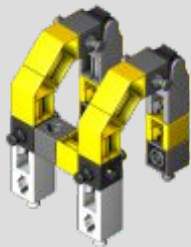




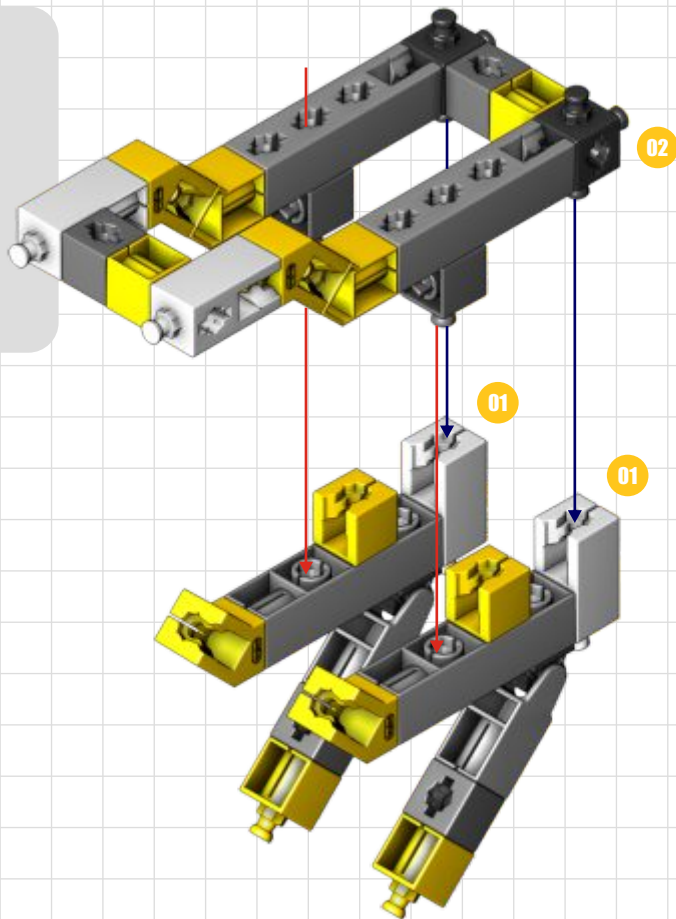
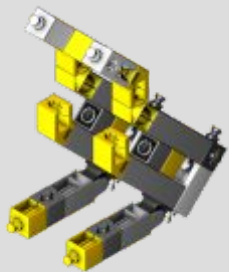
03



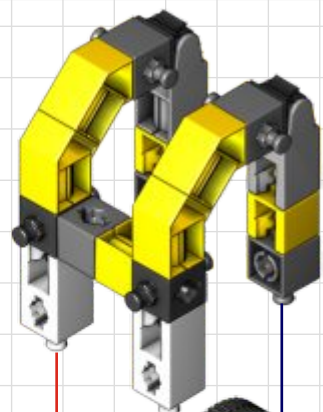
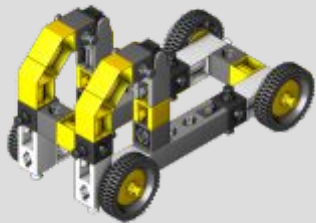
04



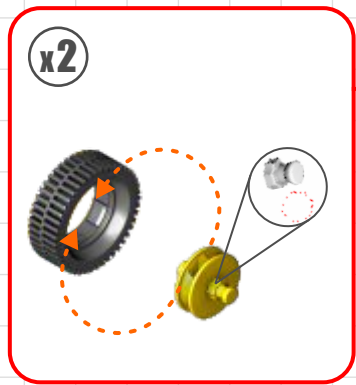
05



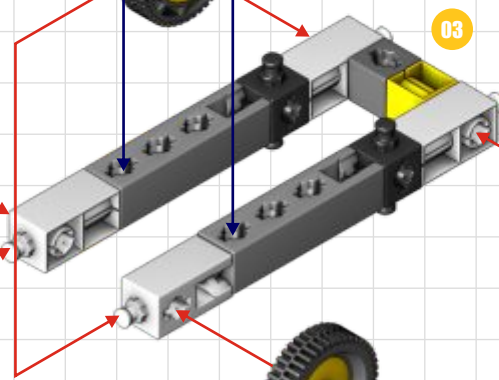
06



04



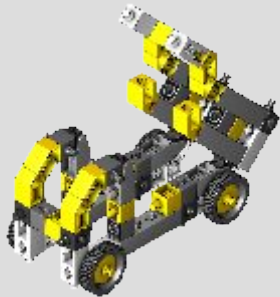
x2



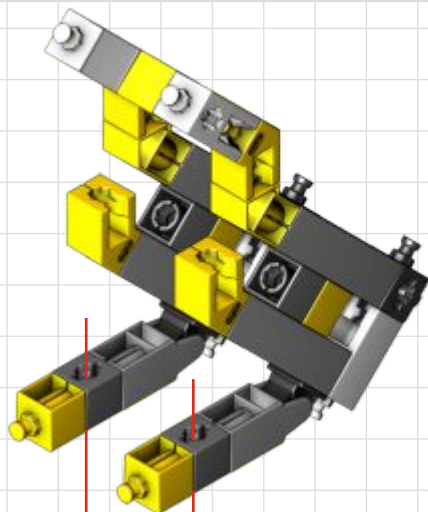
03



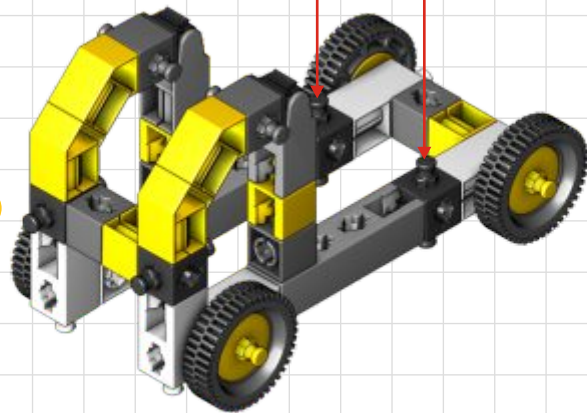
07

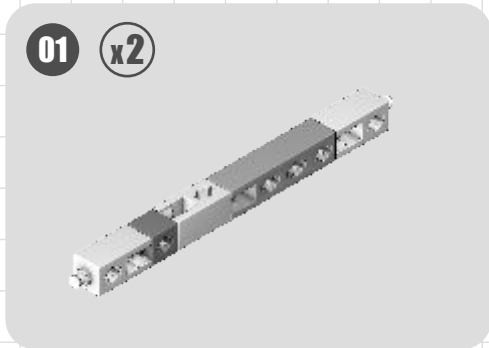
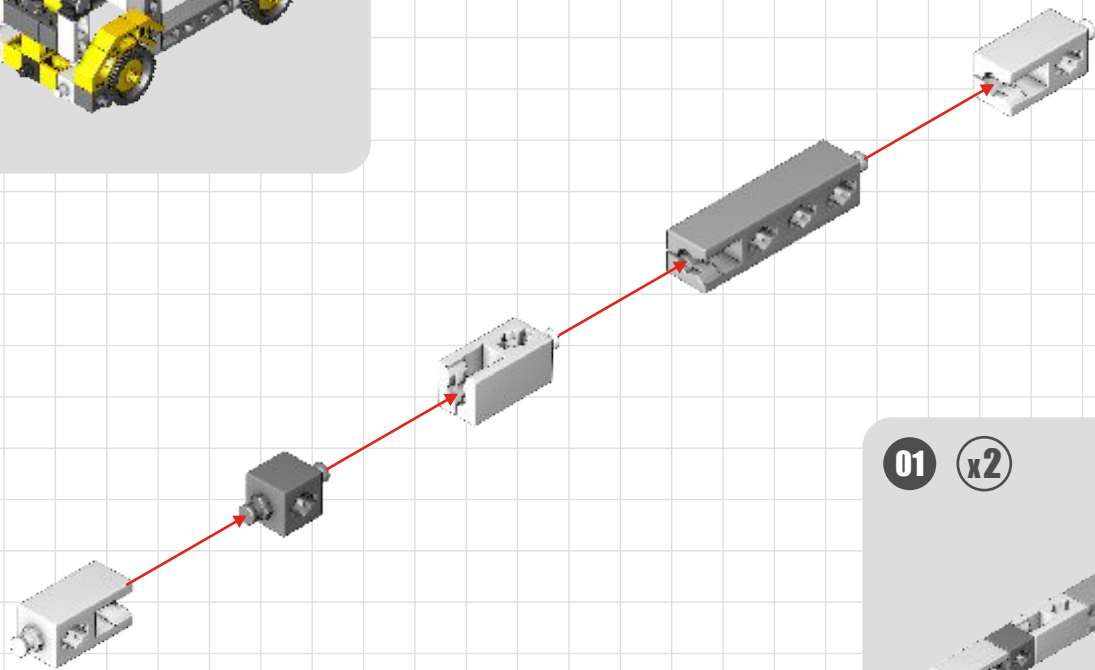
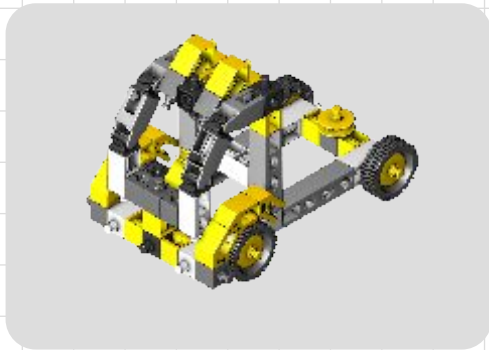


06

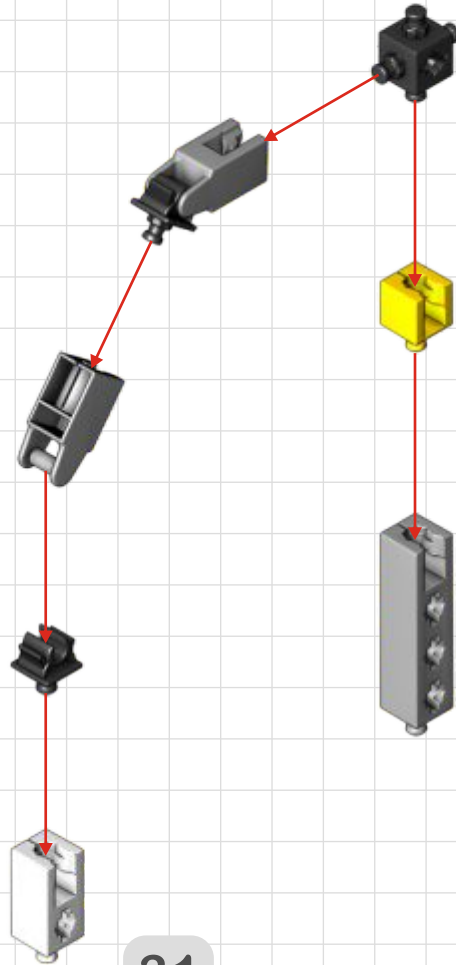
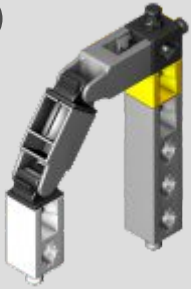


06

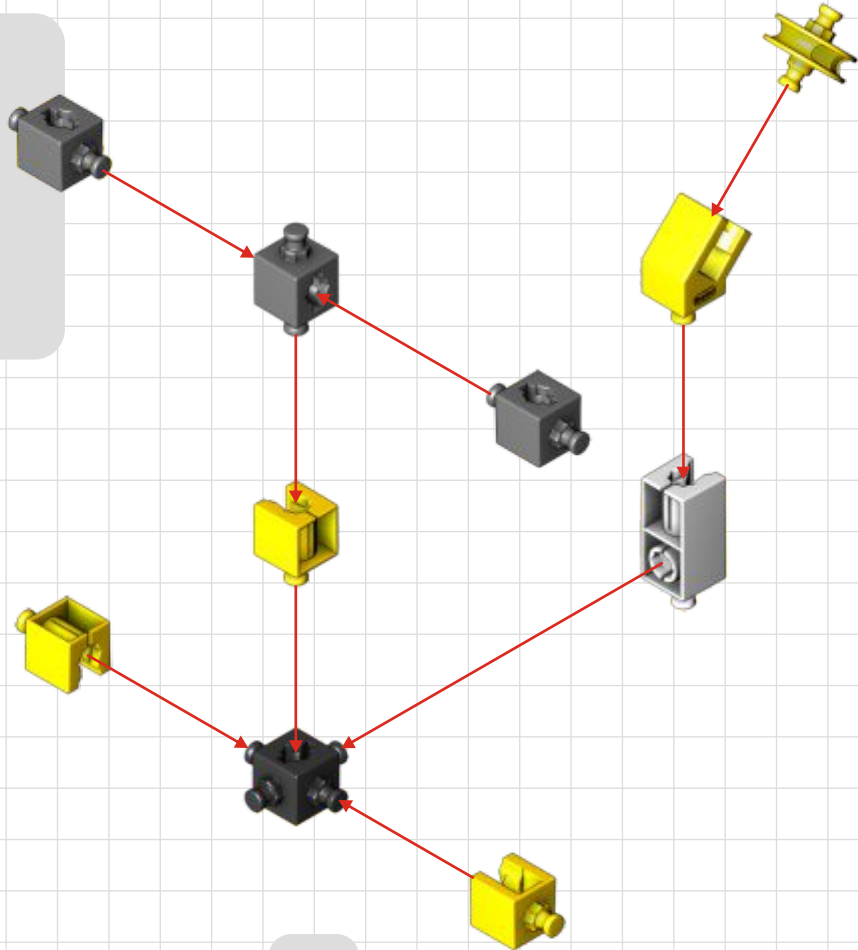
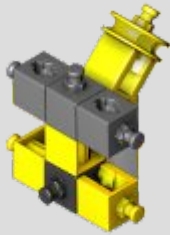




02 x2

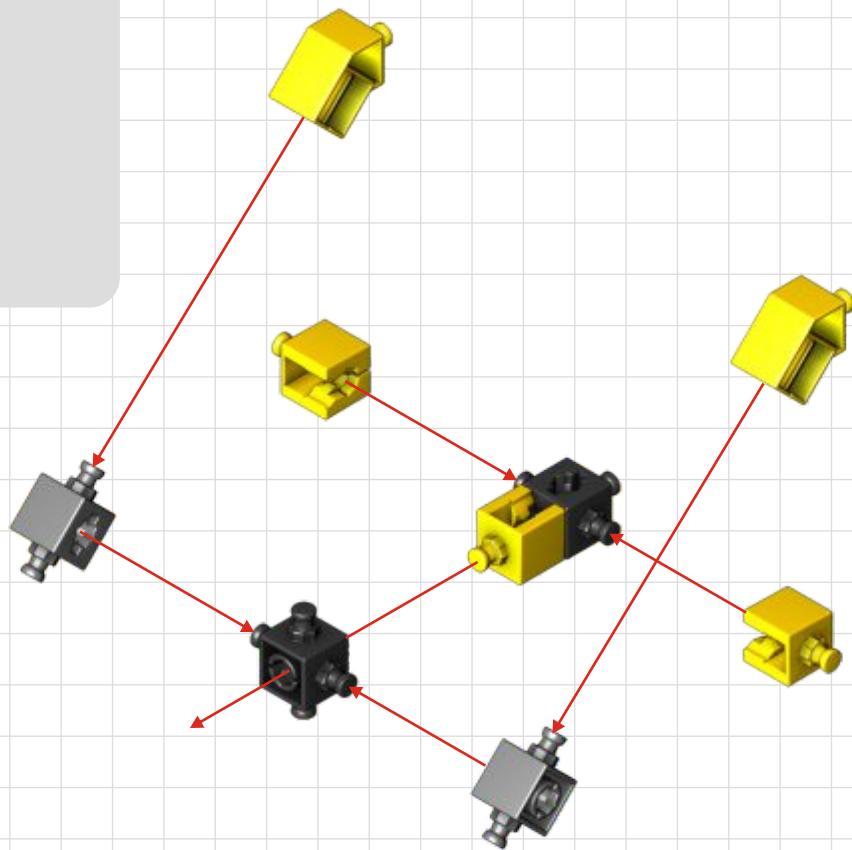
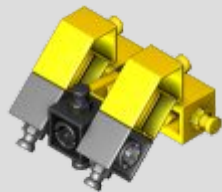


03

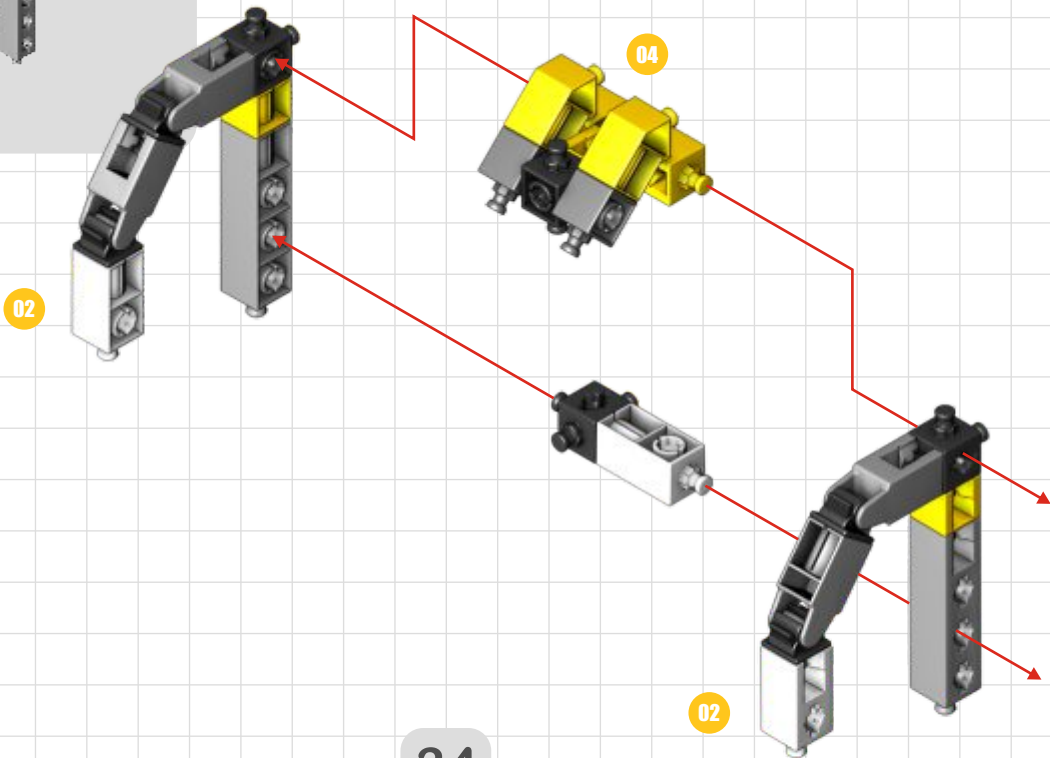
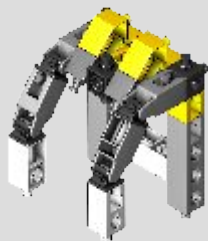




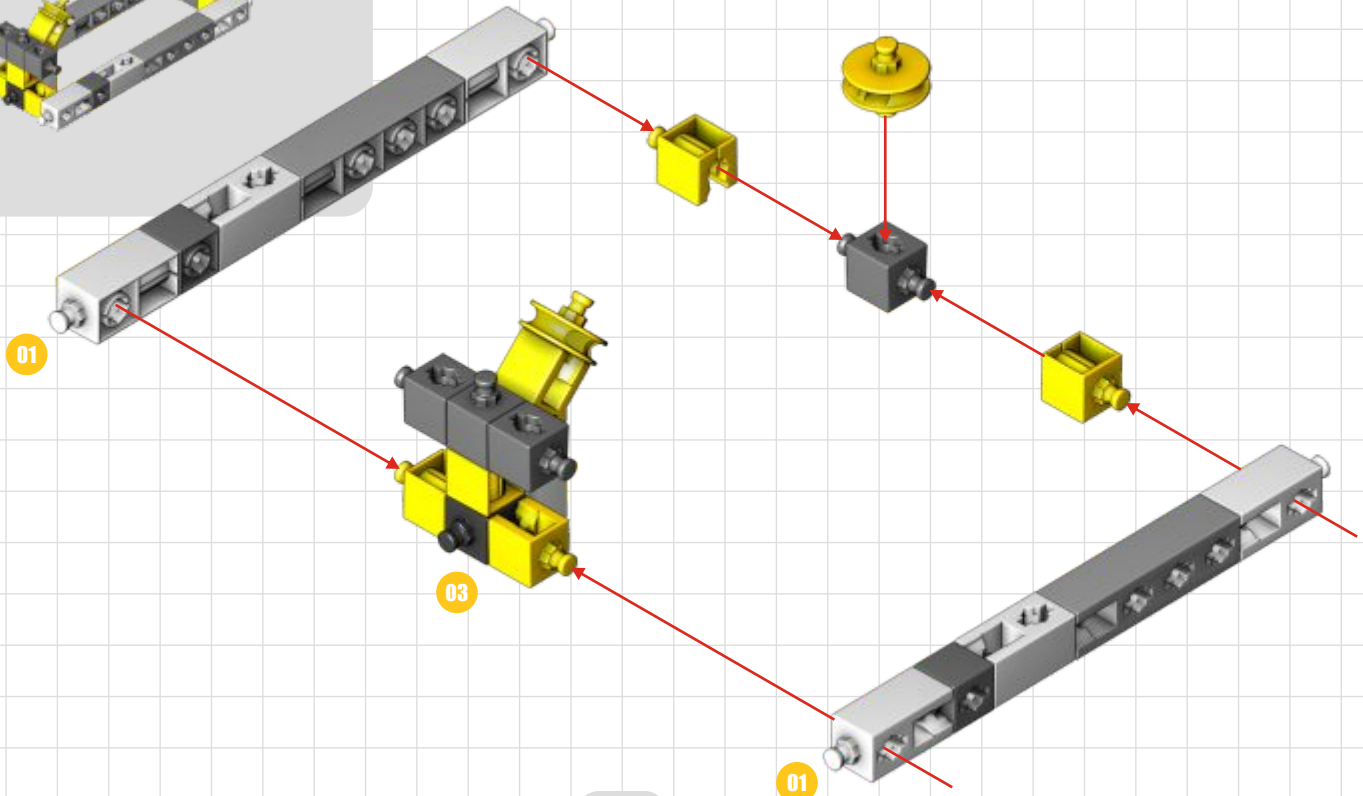
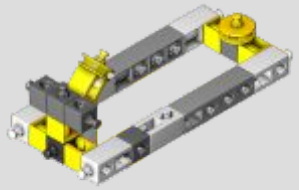
04

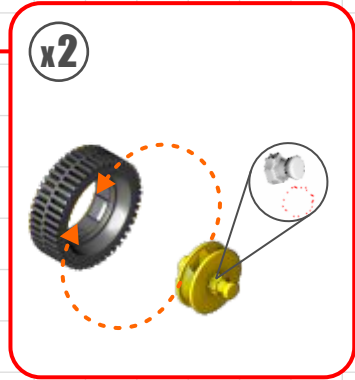
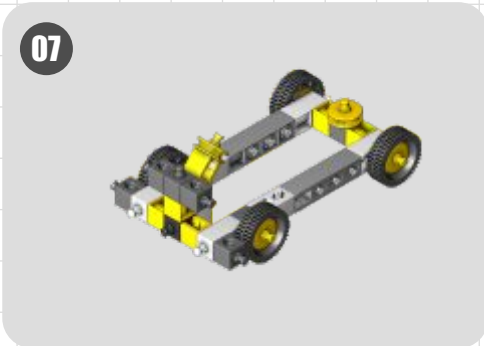
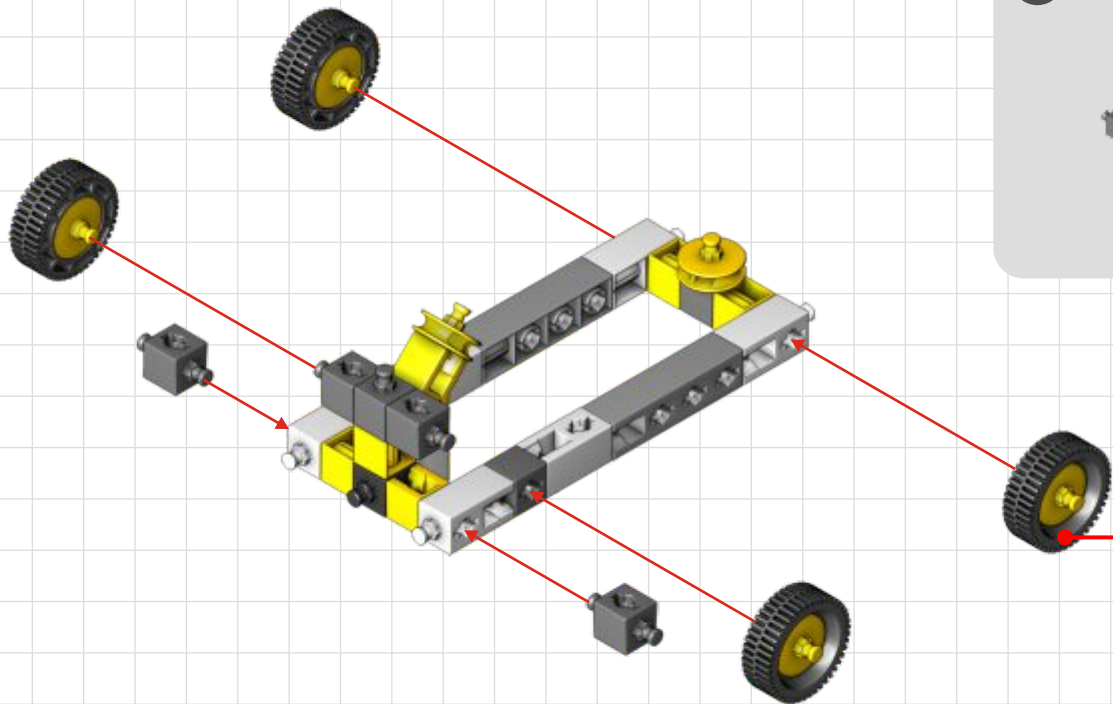


05

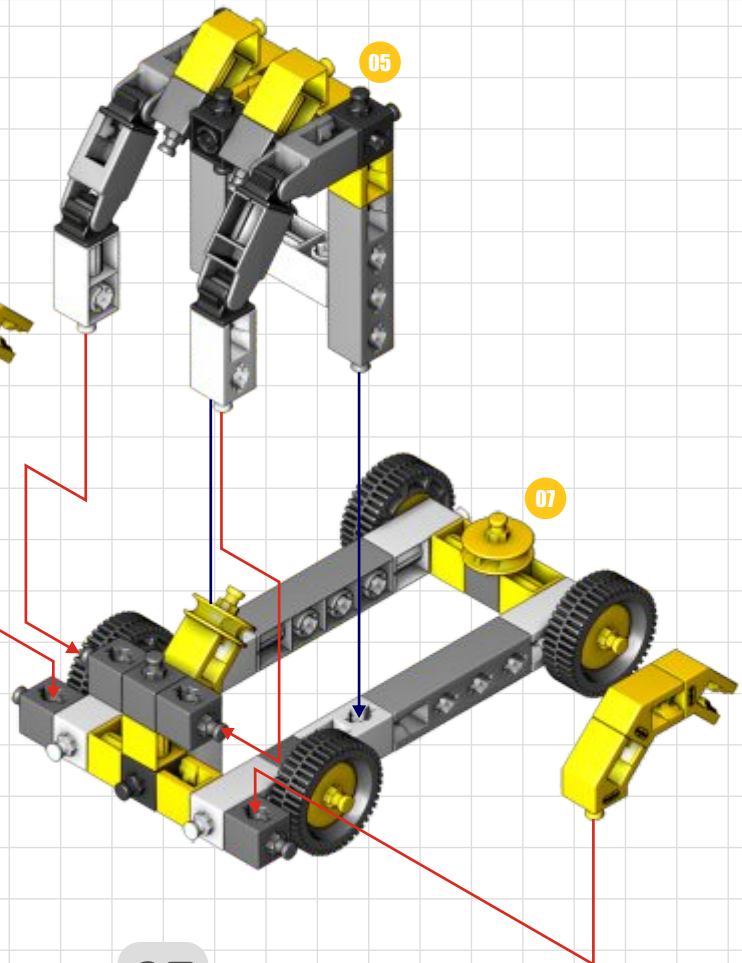
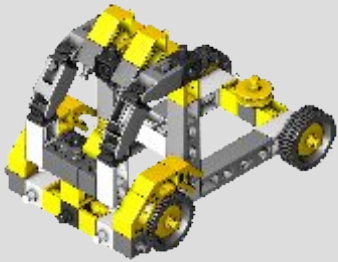


06

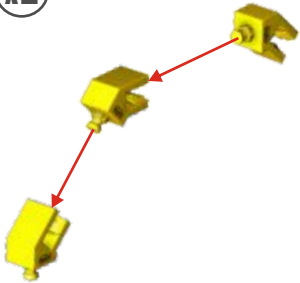




08



x2





x5



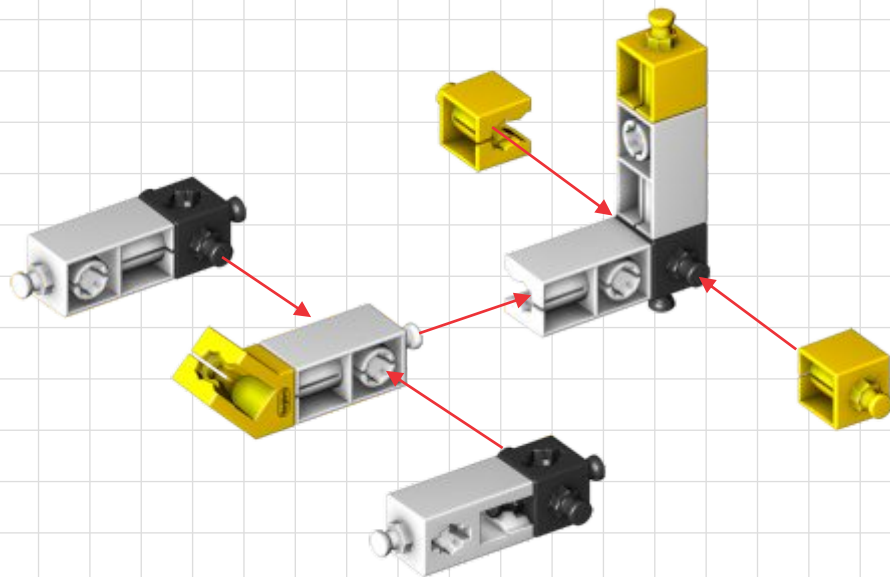
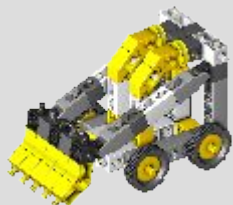
x3



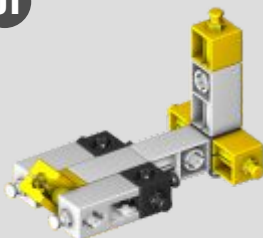
x1

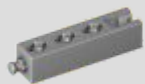


x3



01





x2



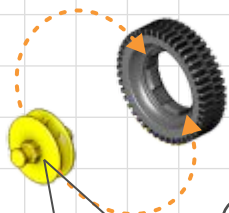
x4



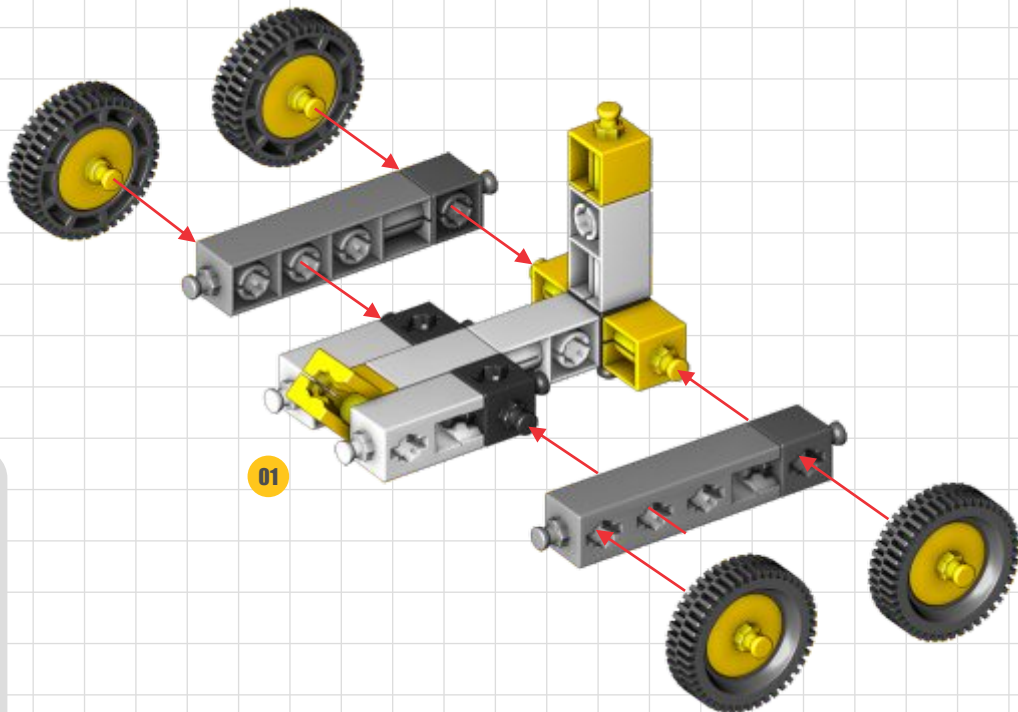
x2



x4

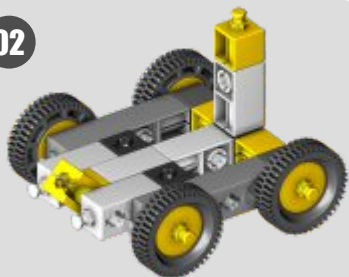


x4



01

02





x2



x2

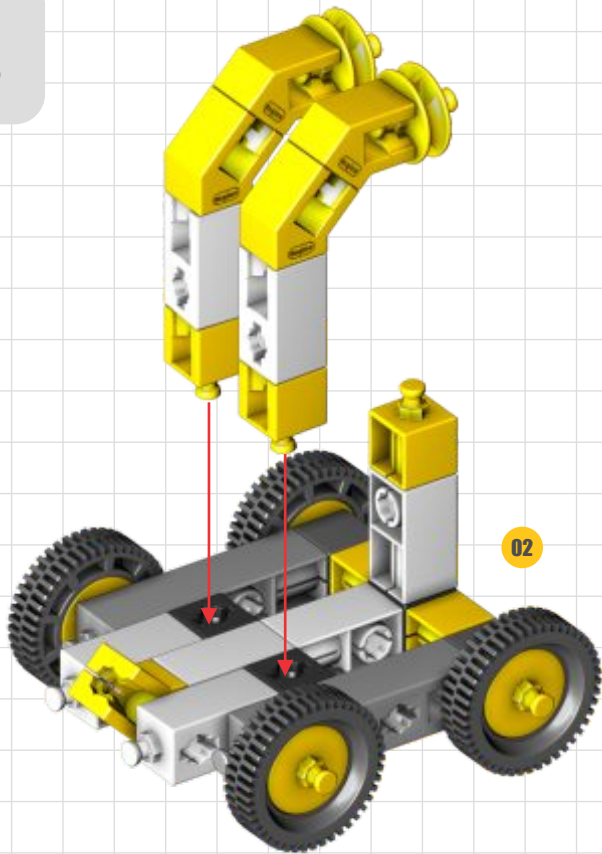
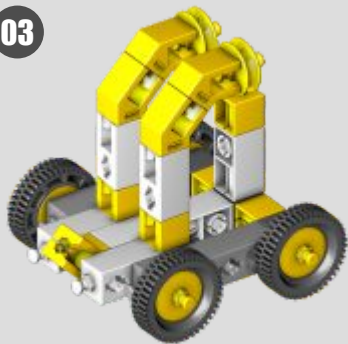


x4

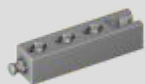


x2

03







x2



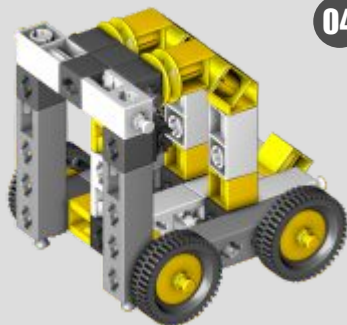
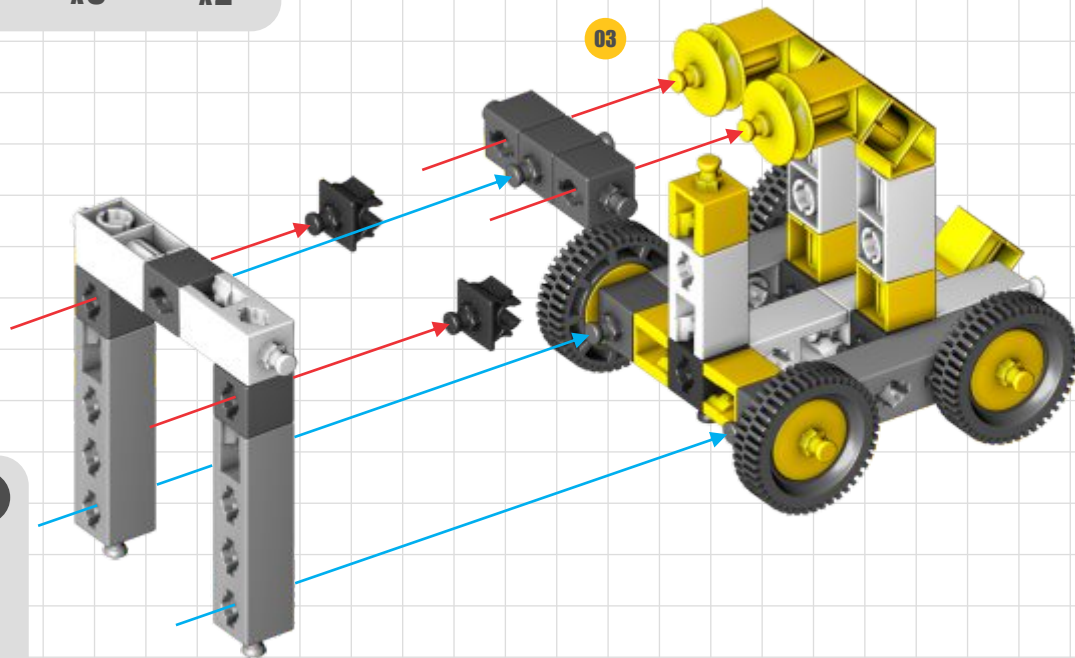
x2



x6



x2





x2

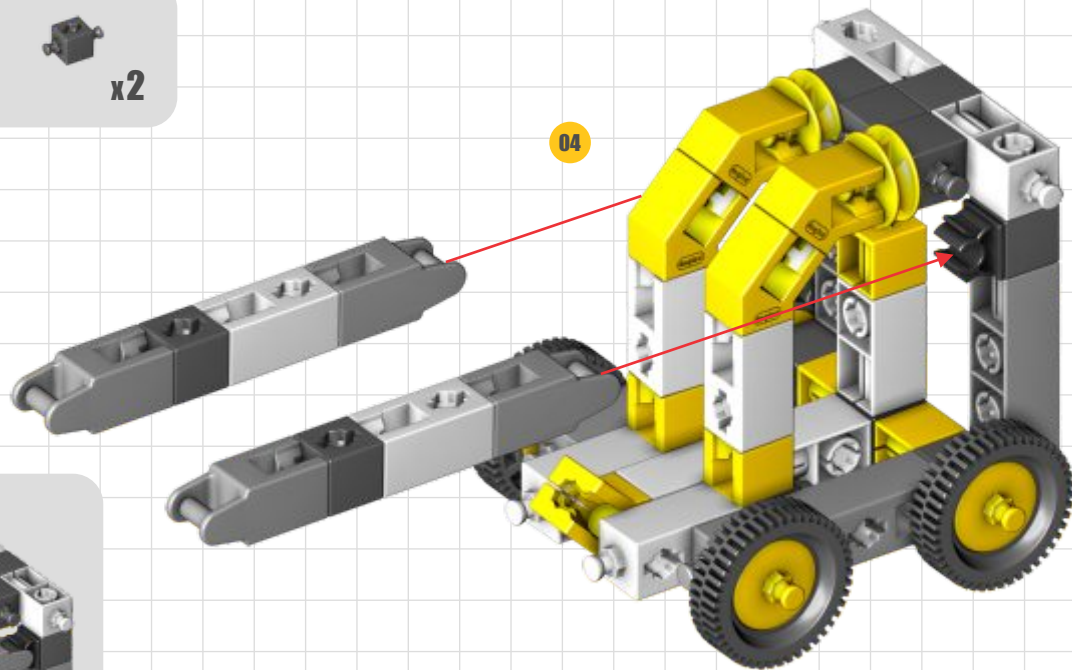


x4

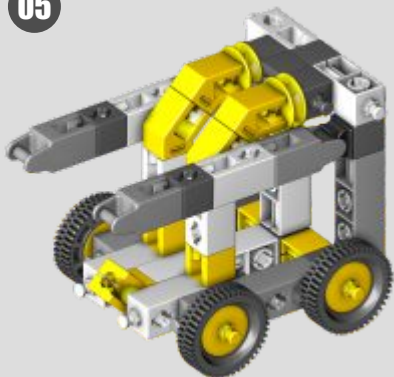


x2

04



05





x5



x3



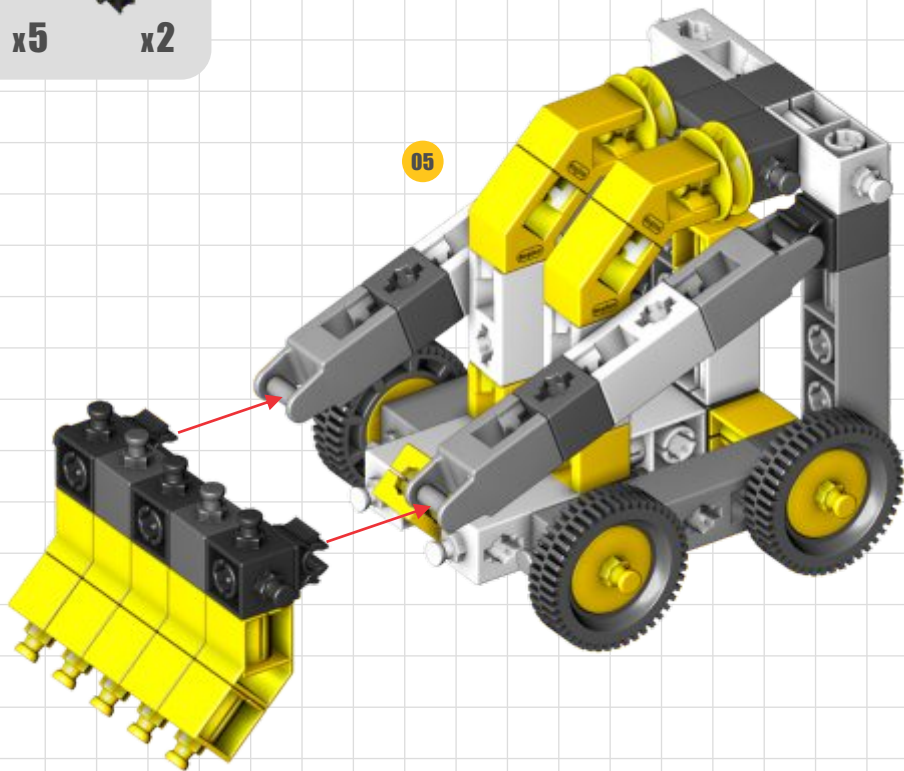
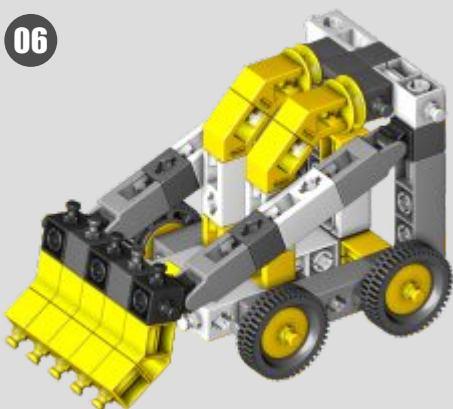
x2

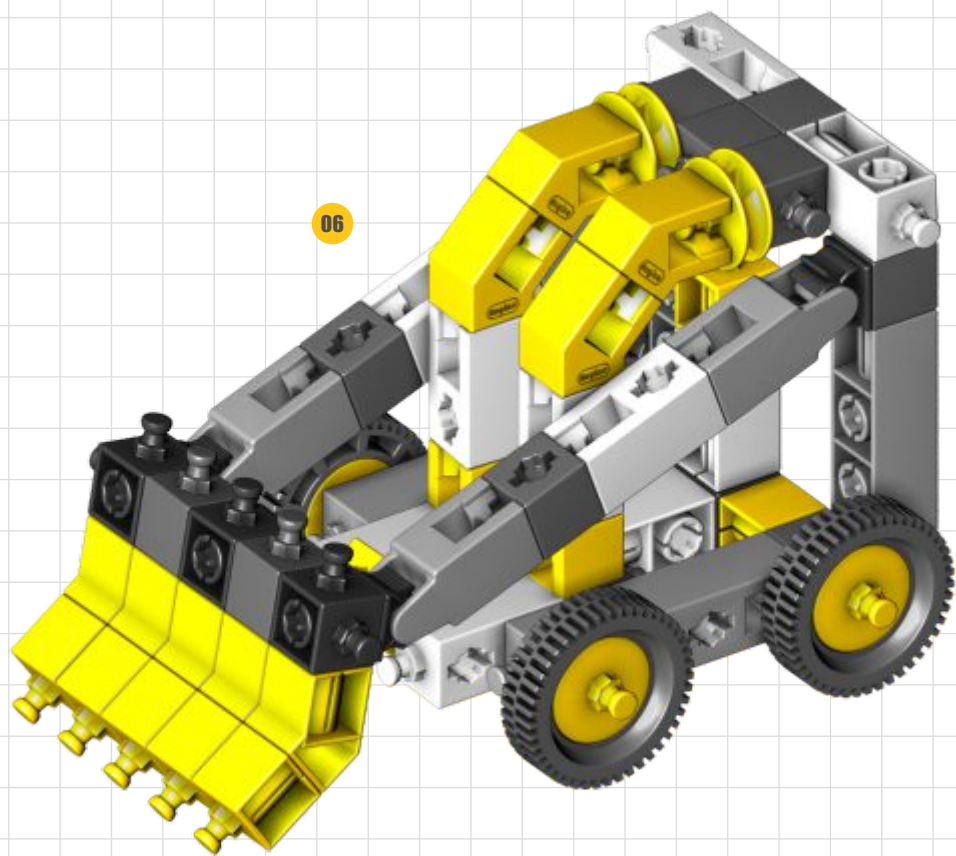


x5

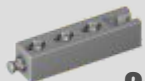


x2





06



x2



x1



x1



x4



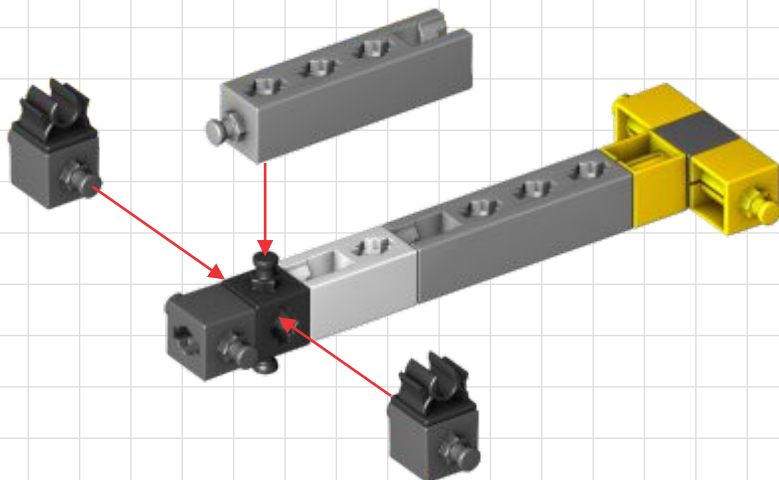
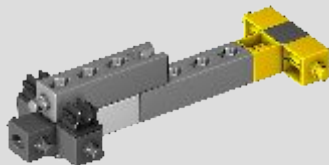
x3

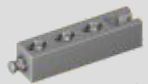


x2



01





x2



x4



x2



x4

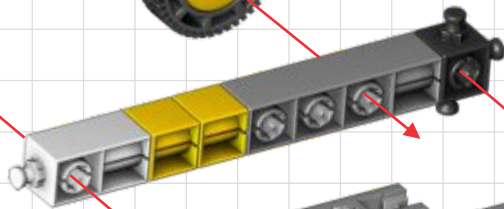
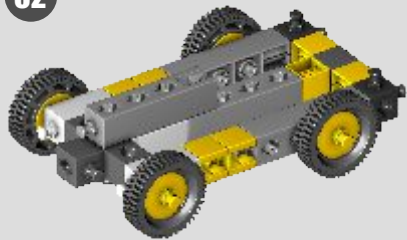


x4

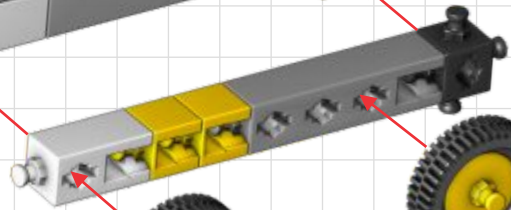
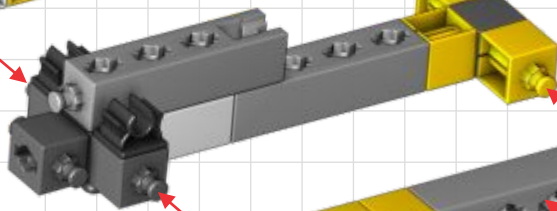


x2

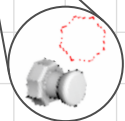
02



01



x4





x2



x4



x2



x3

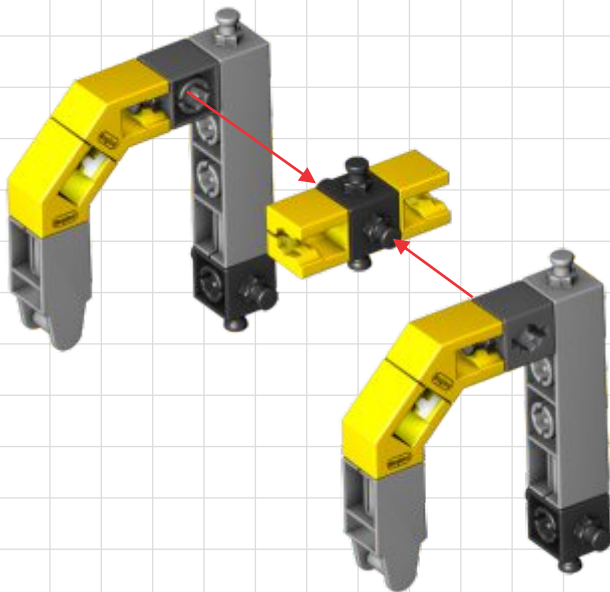
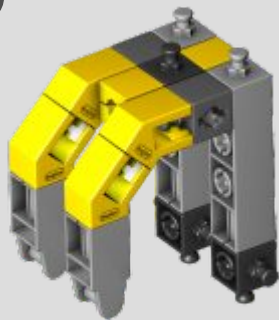


x2



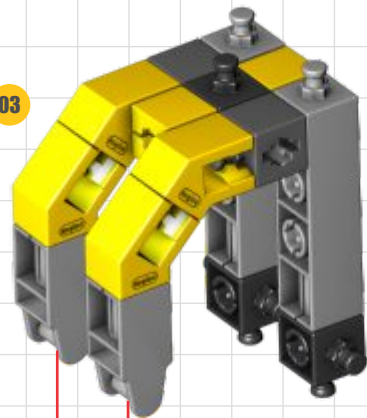
x2

03





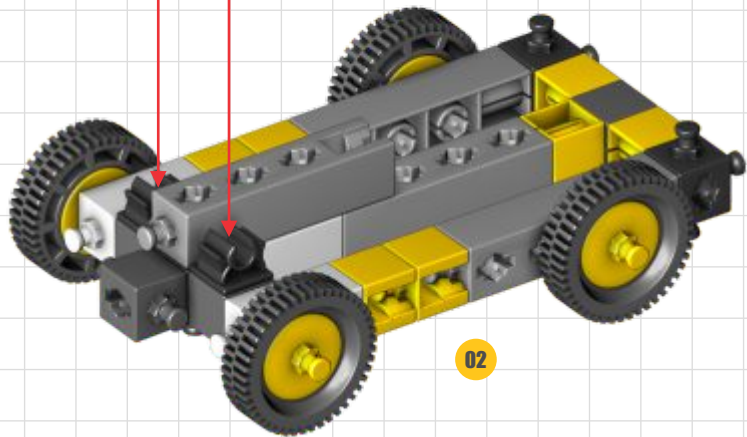
03



04



02







x2



x1



x1



x2

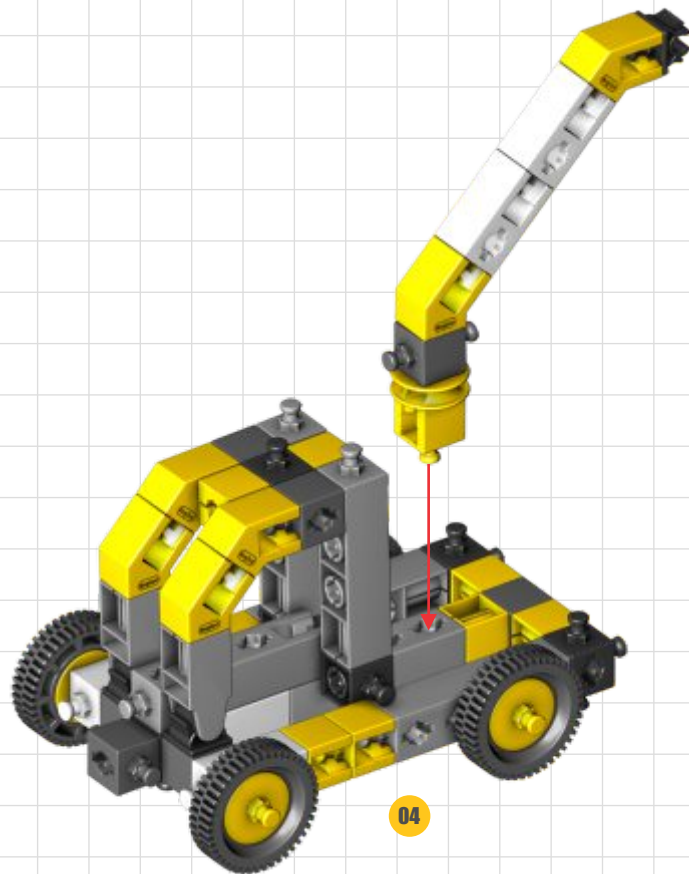


x1



x1

05





x1



x4



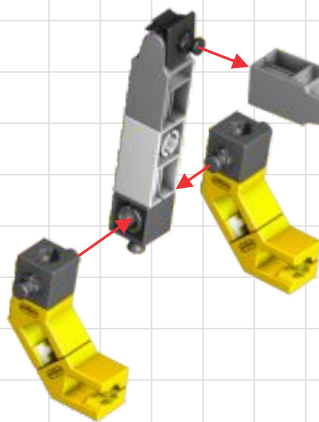
x2



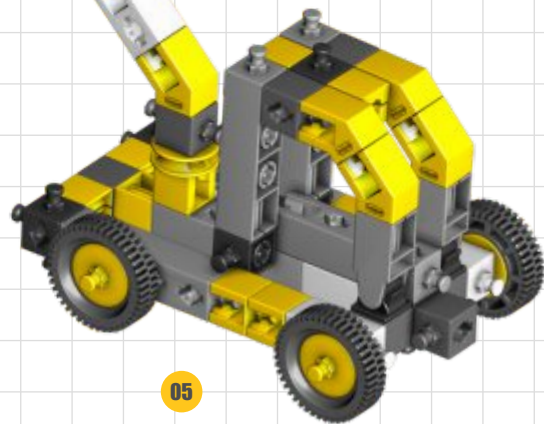
x3



x1



06



05

