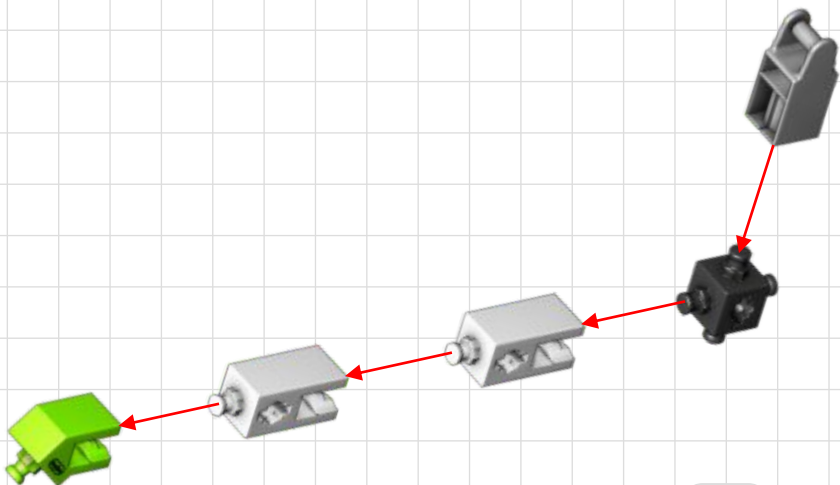
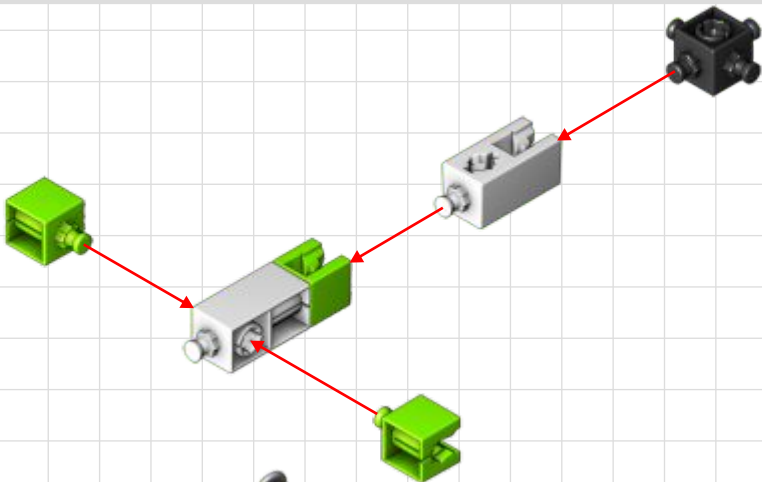
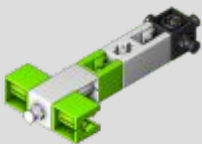


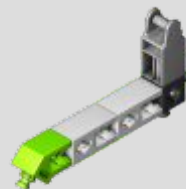
01

02

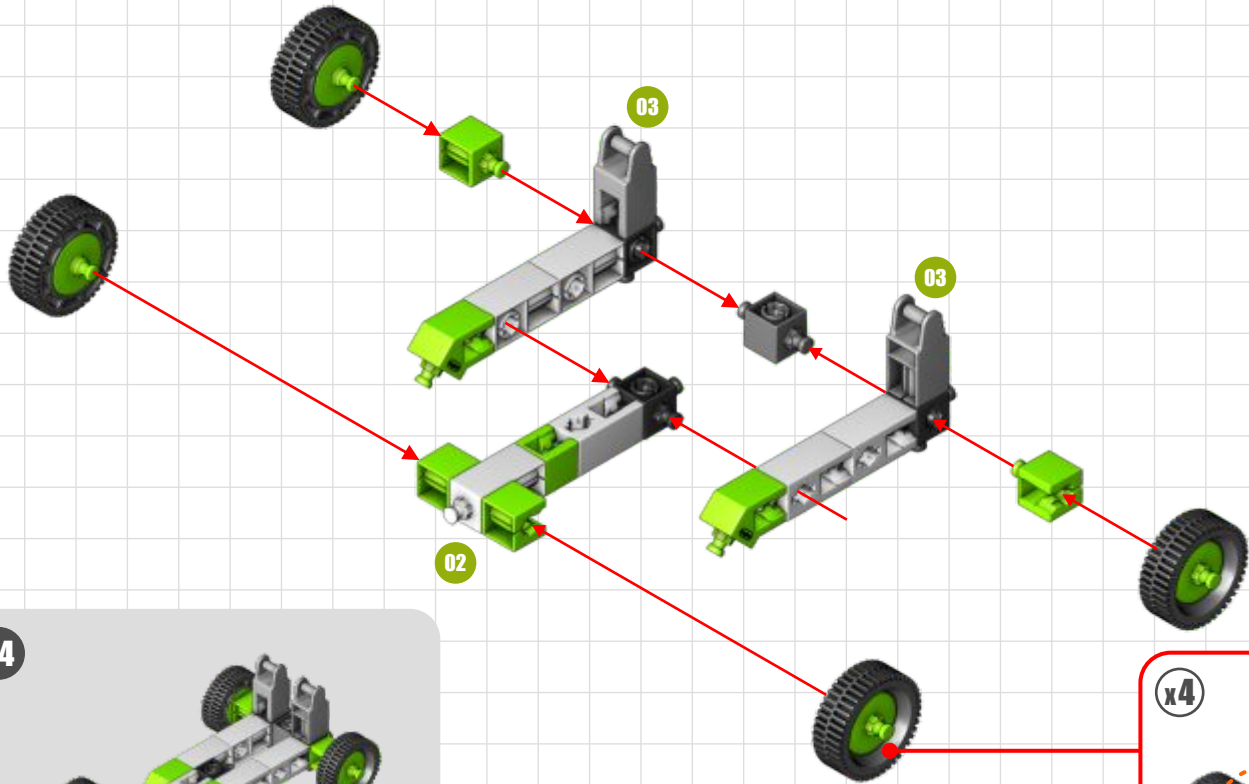


03

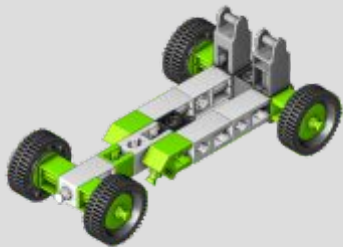
x2



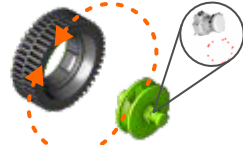
02



04

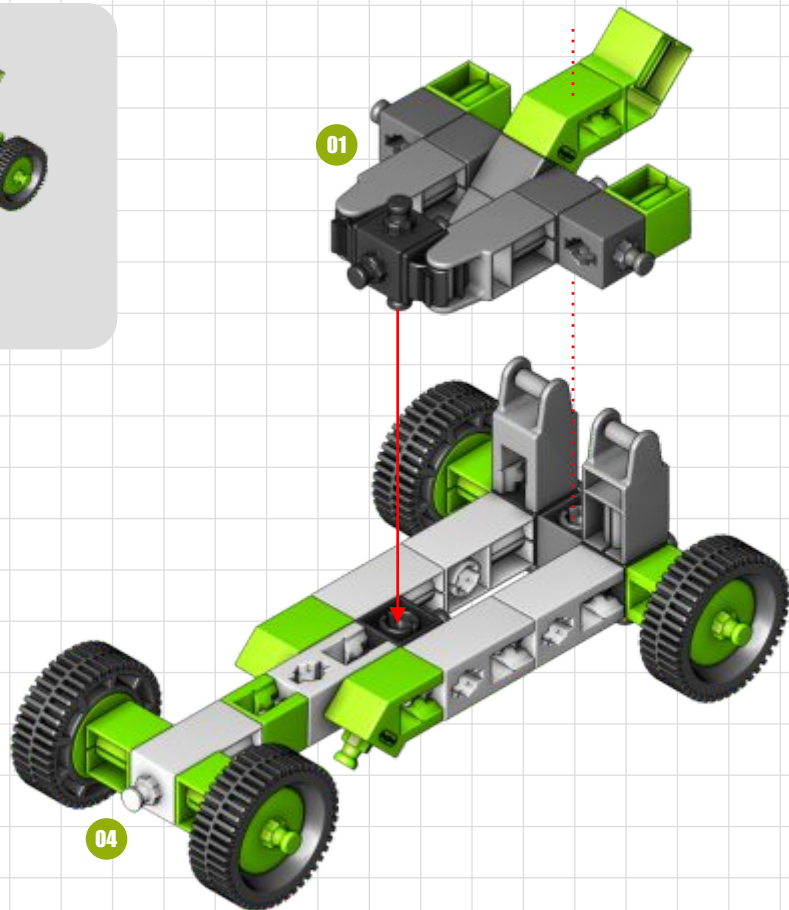
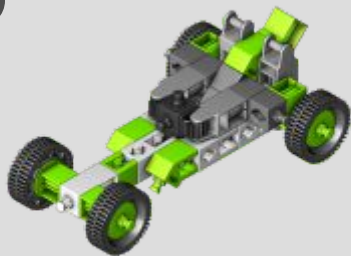


x4



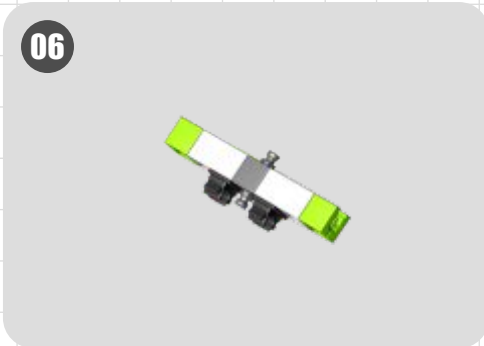
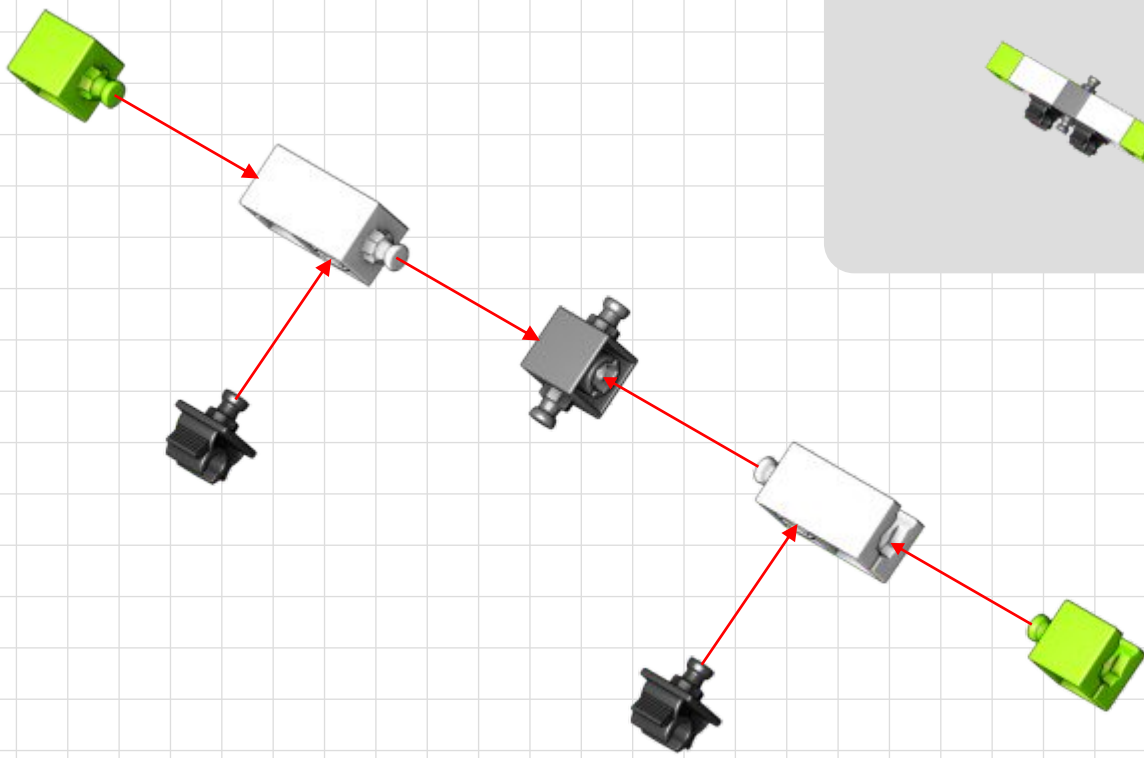
03

05



04

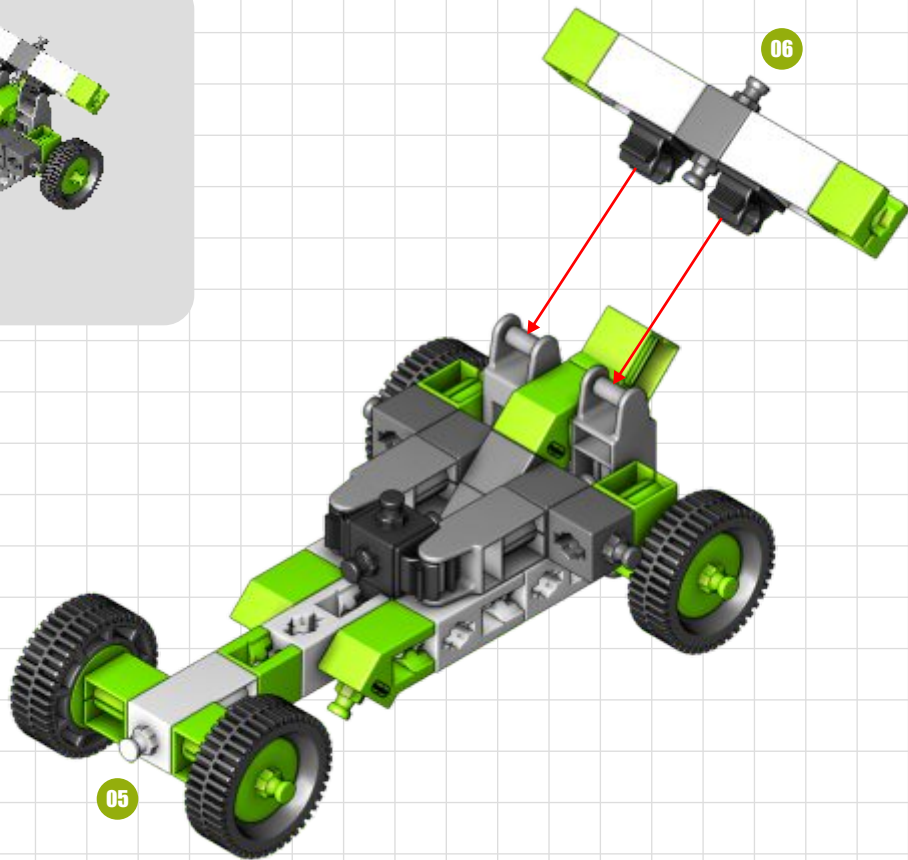
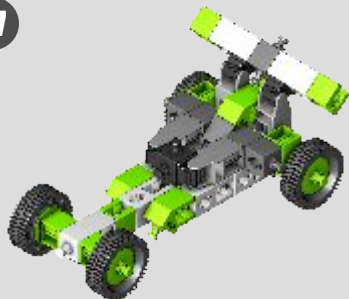




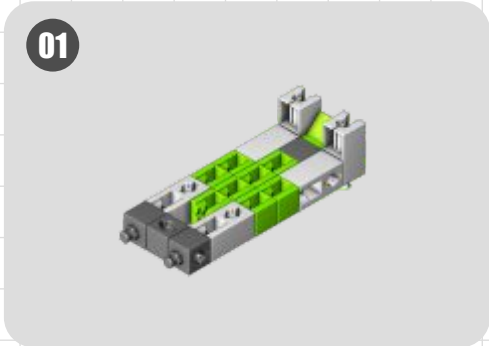
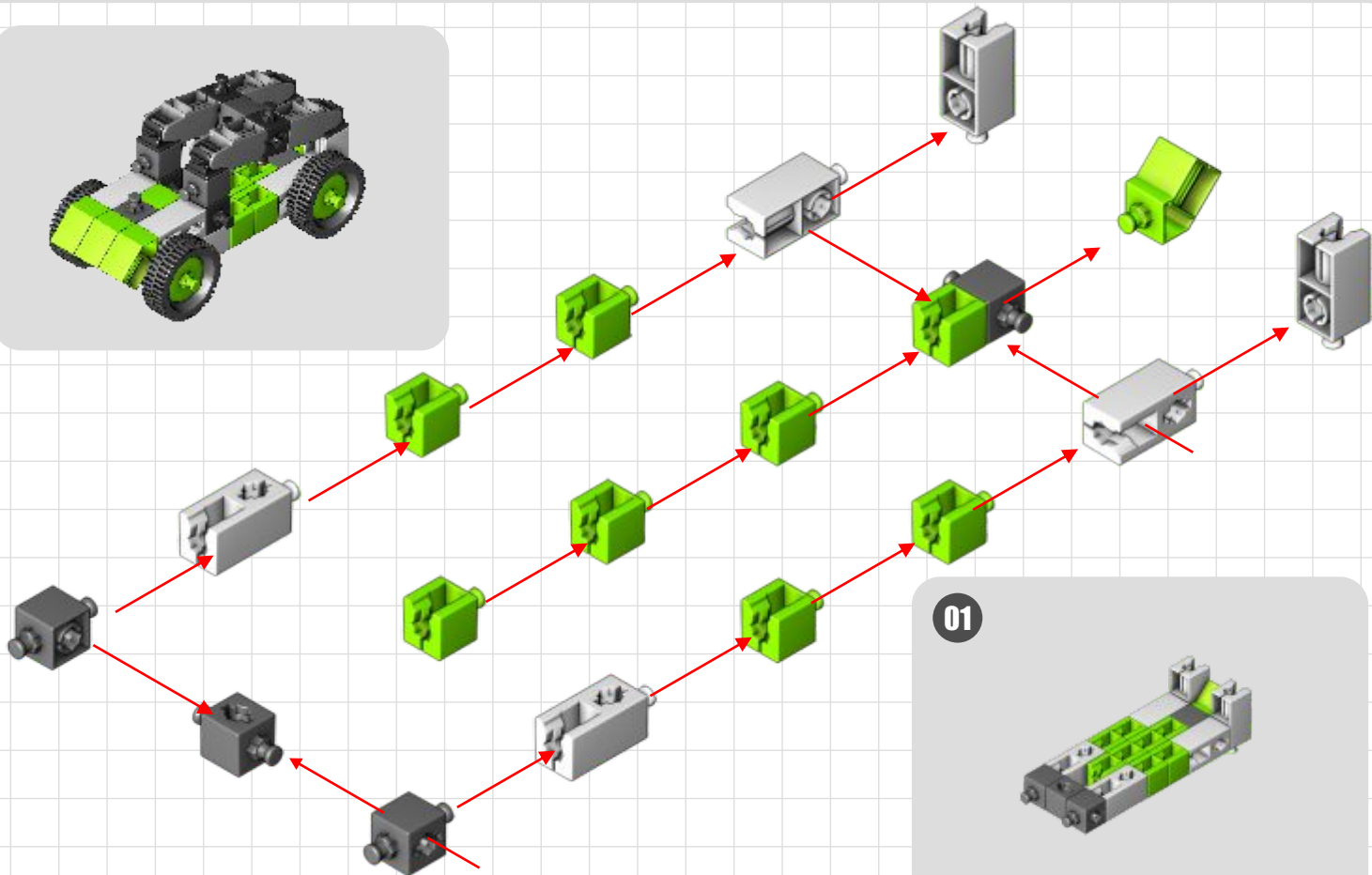
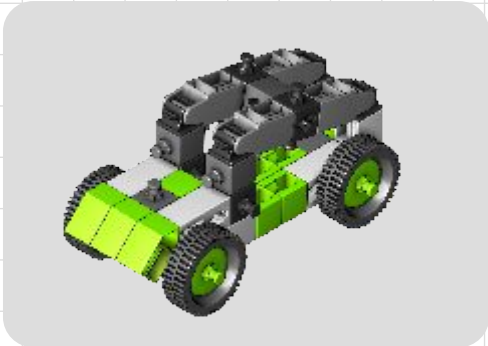
06

05

07

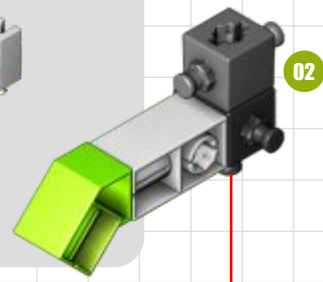
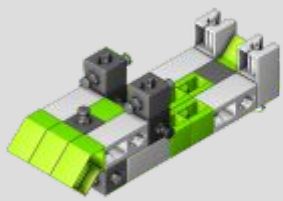


06

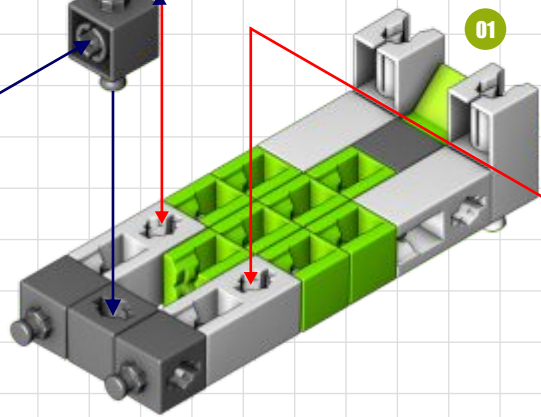
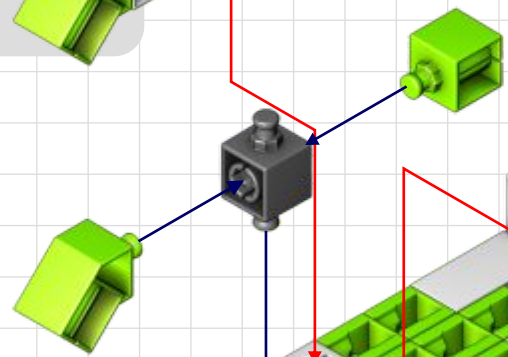




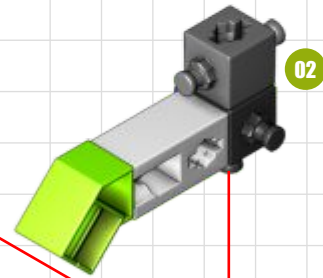
04



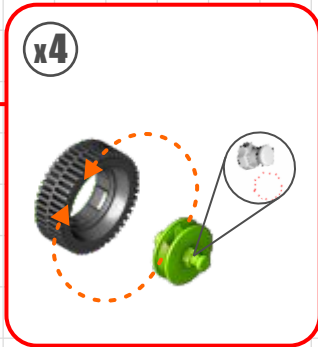
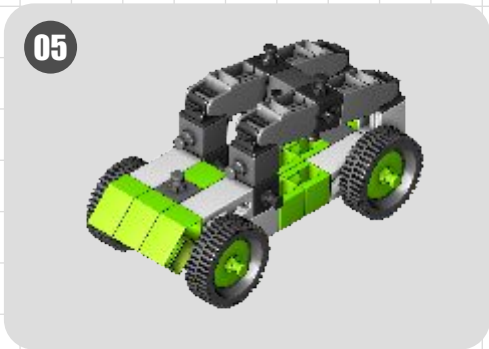
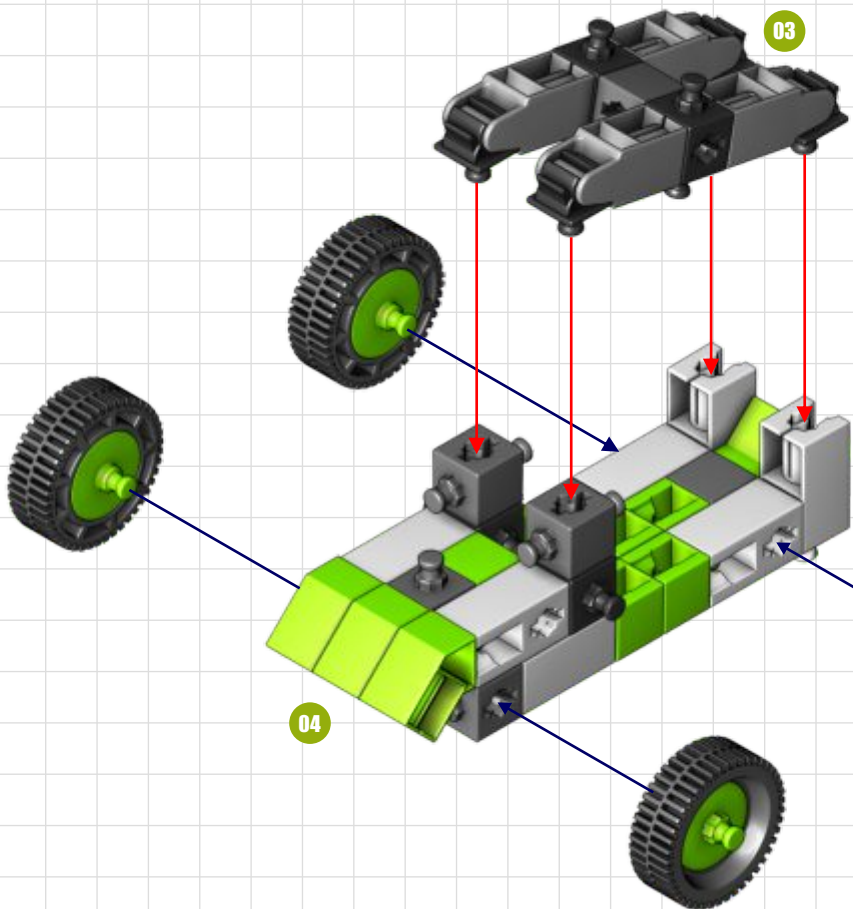
02



01



02





x8



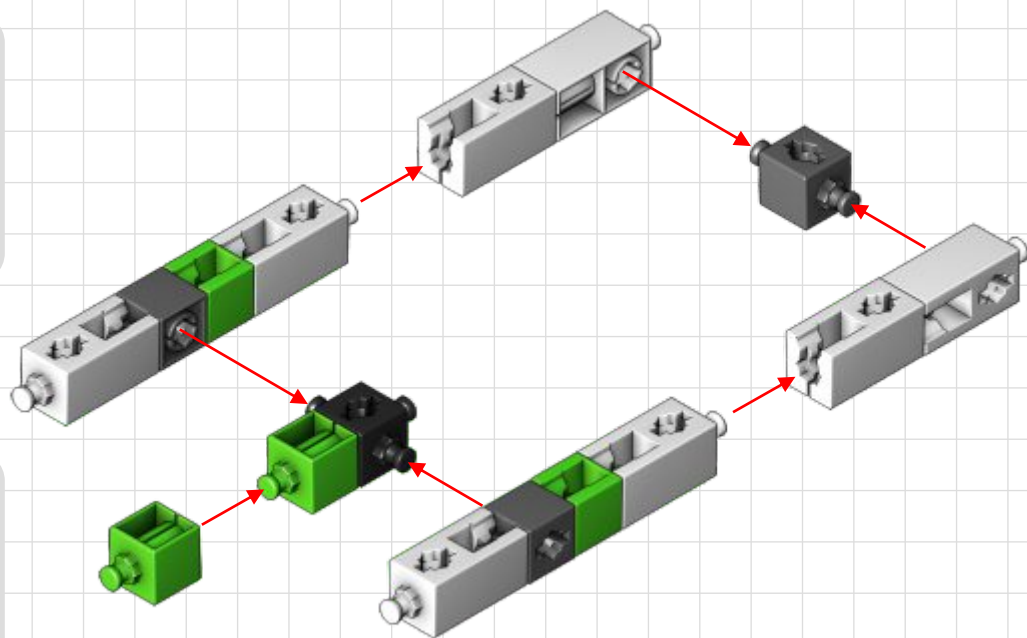
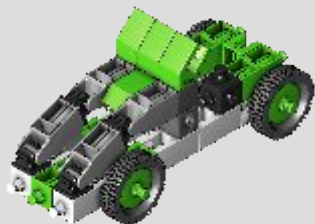
x1



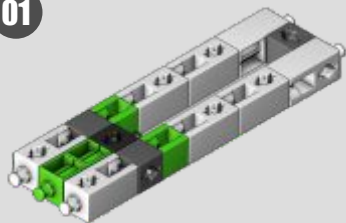
x4



x3



01



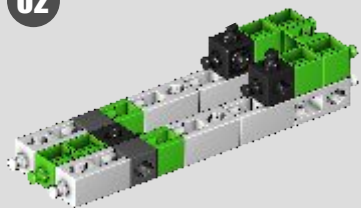


x2

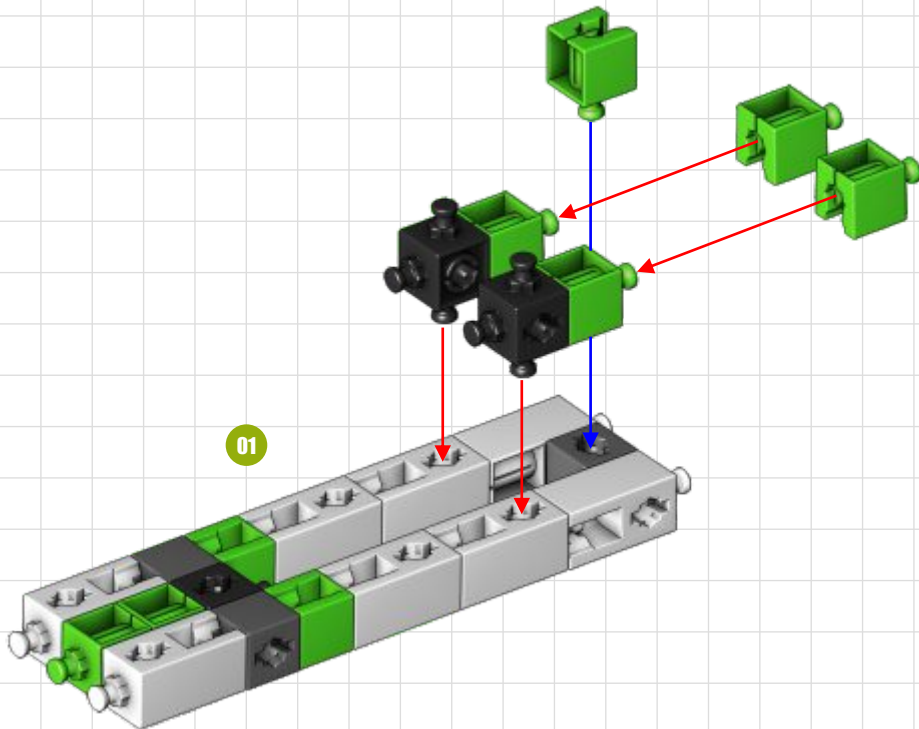


x5

02



01



12





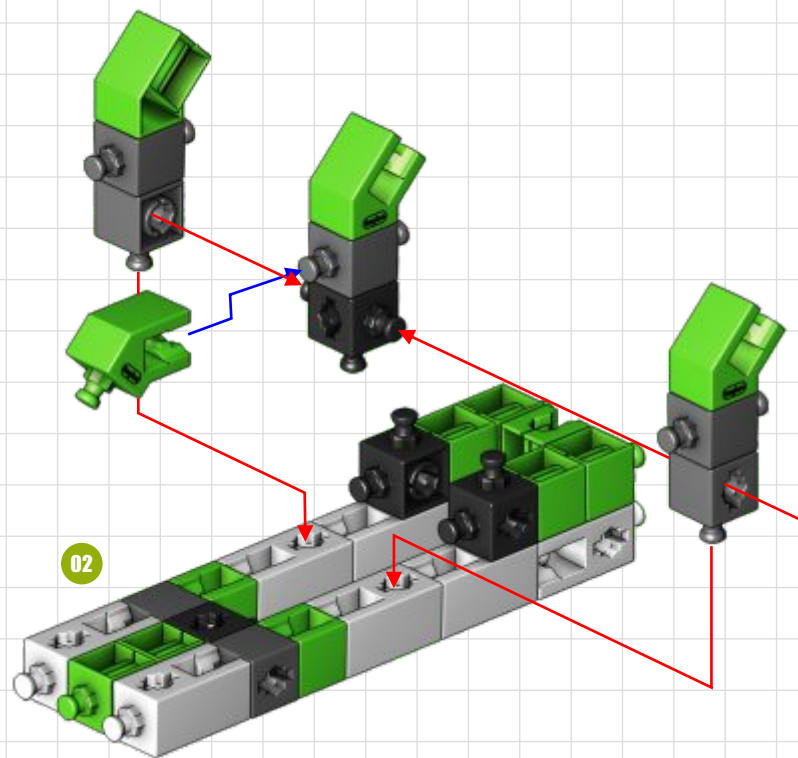
x4



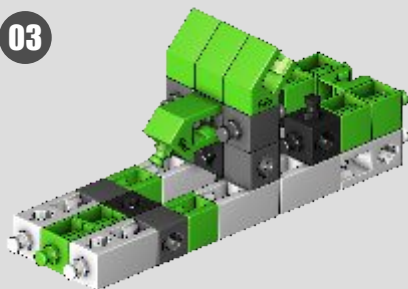
x5



x1



03

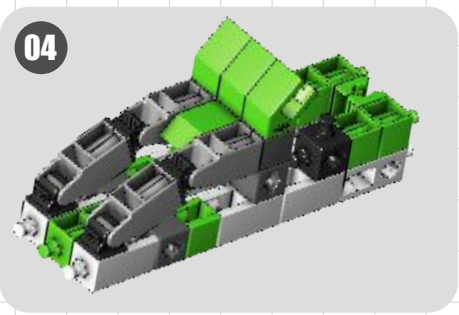
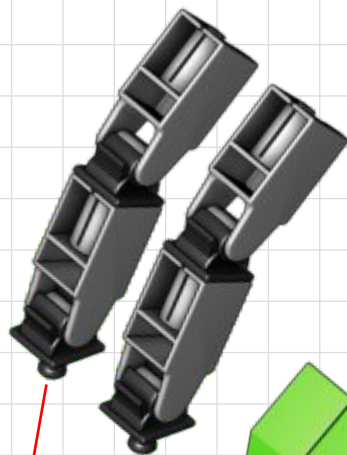




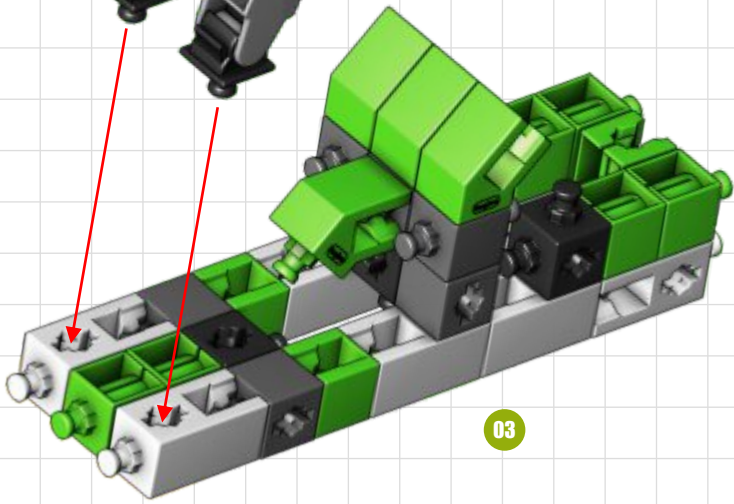
x4



x4



04



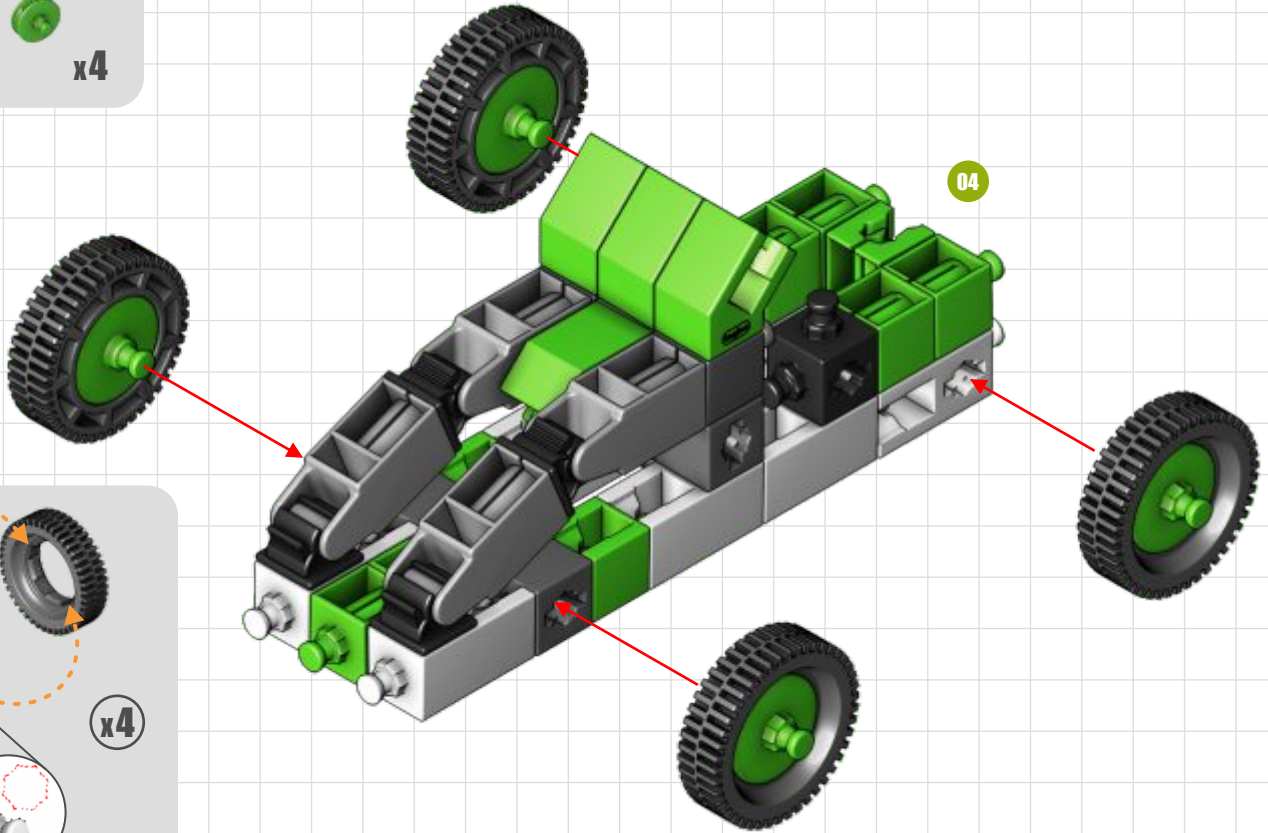
03



x4



x4



04



x4





x5



x1



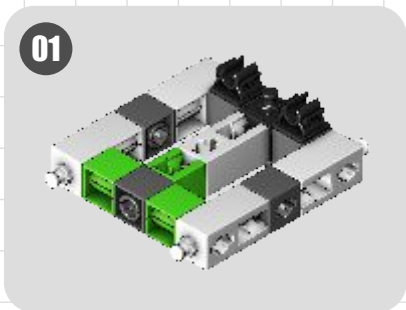
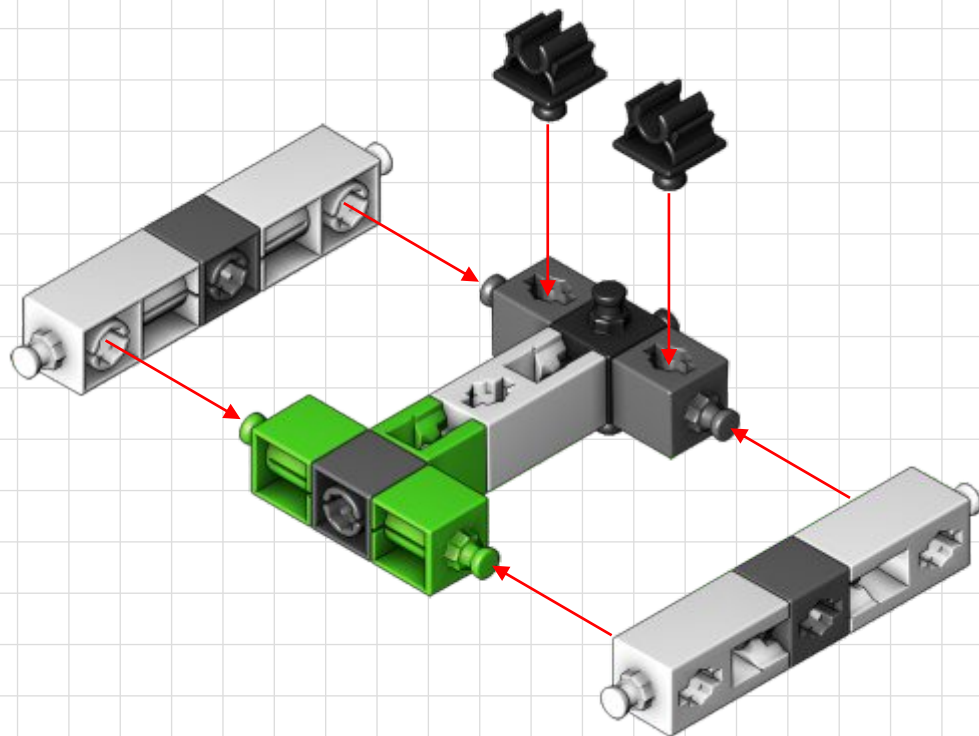
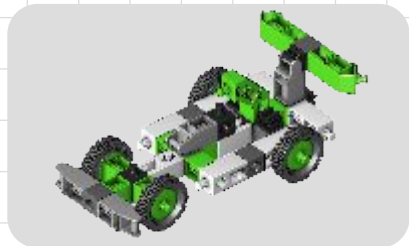
x3



x5



x2





x2



x1



x1

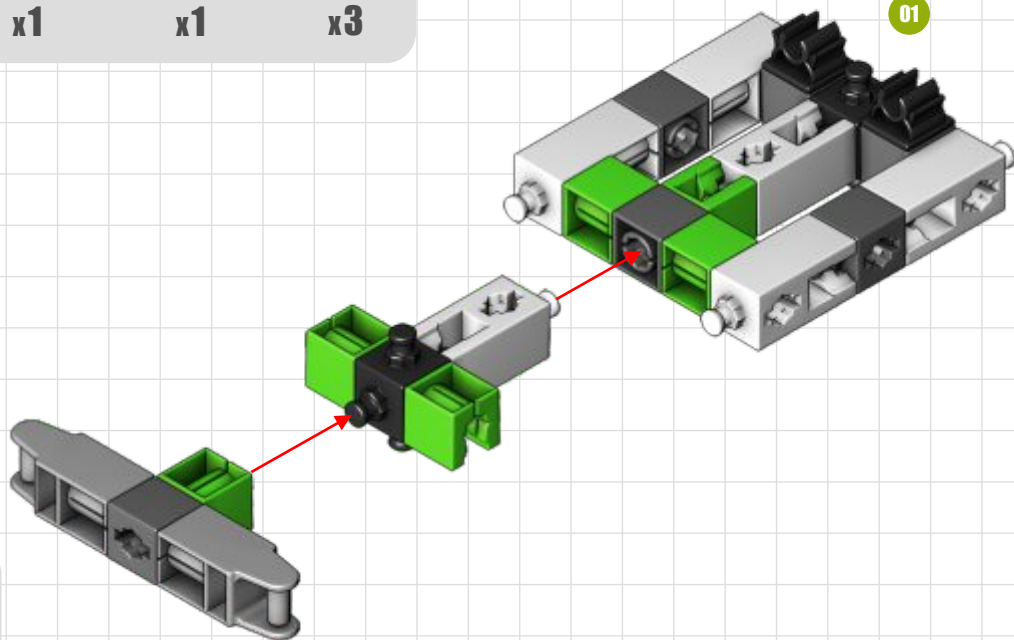


x1

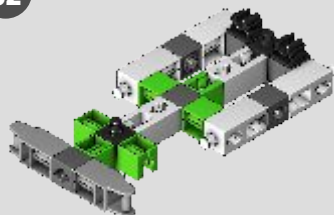


x3

01



02





x1



x2



x2



x1



x3

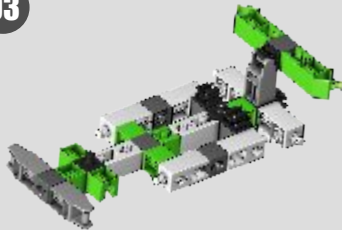


x1

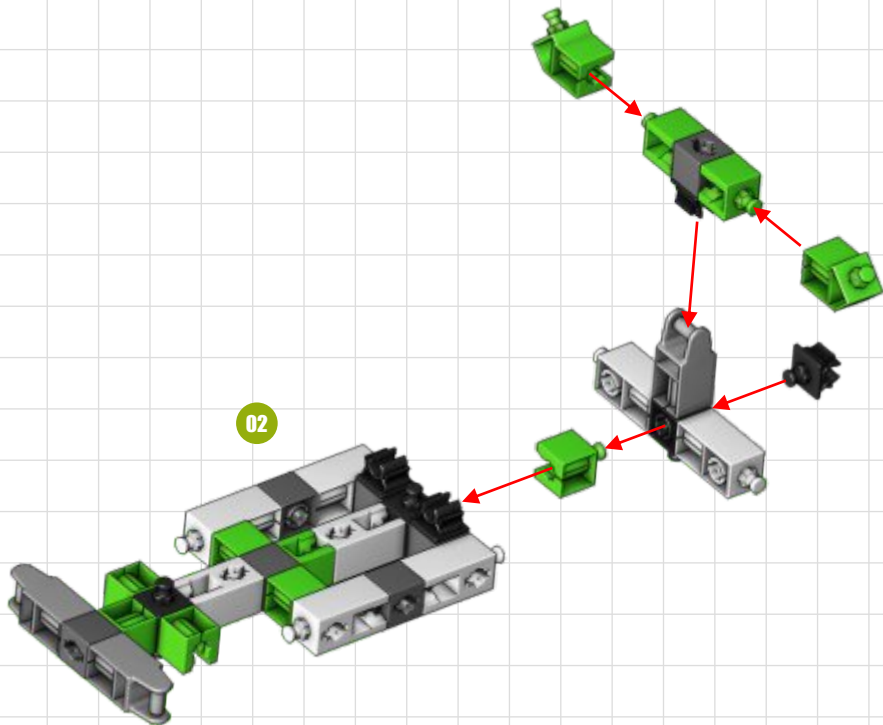


x2

03



02





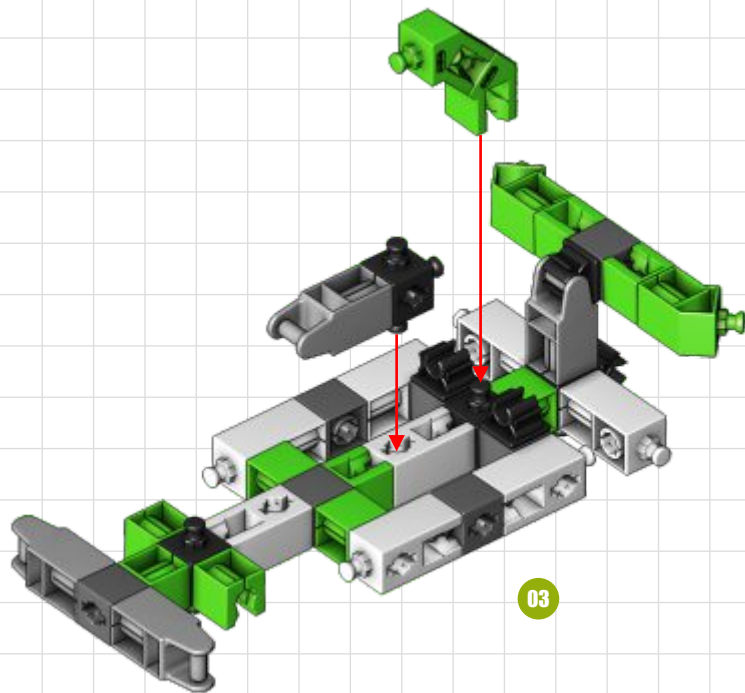
x1



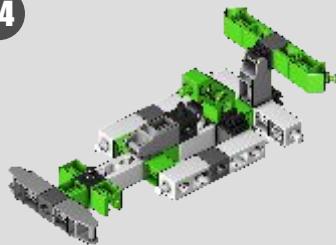
x2



x1



04

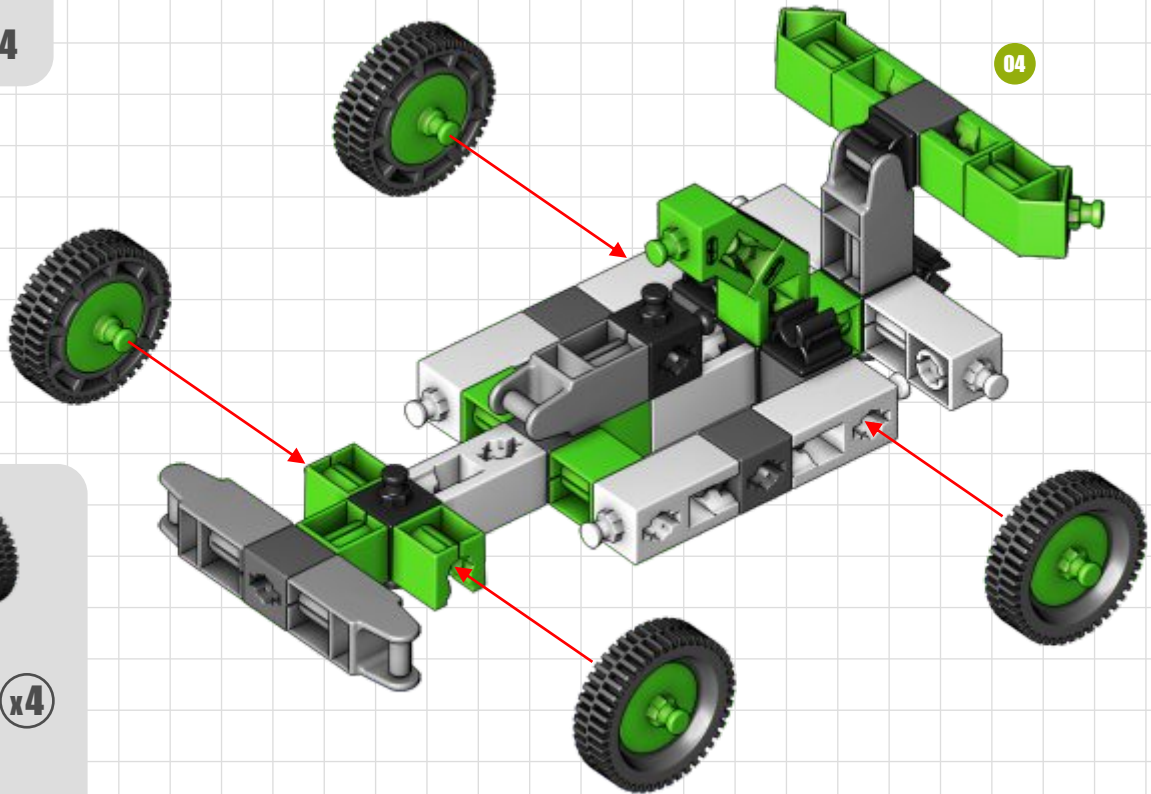




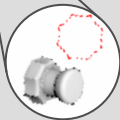
x4



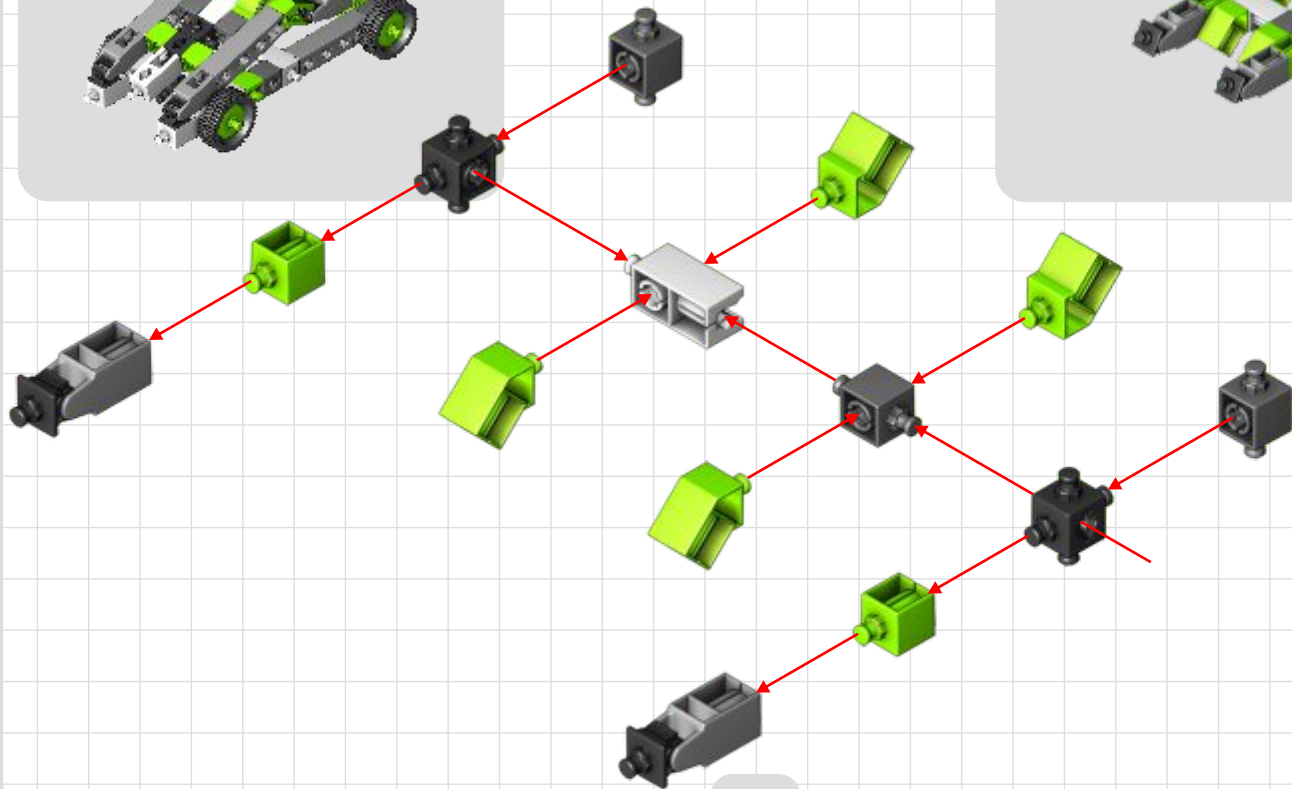
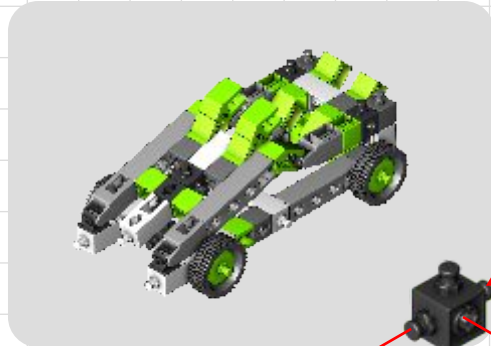
x4



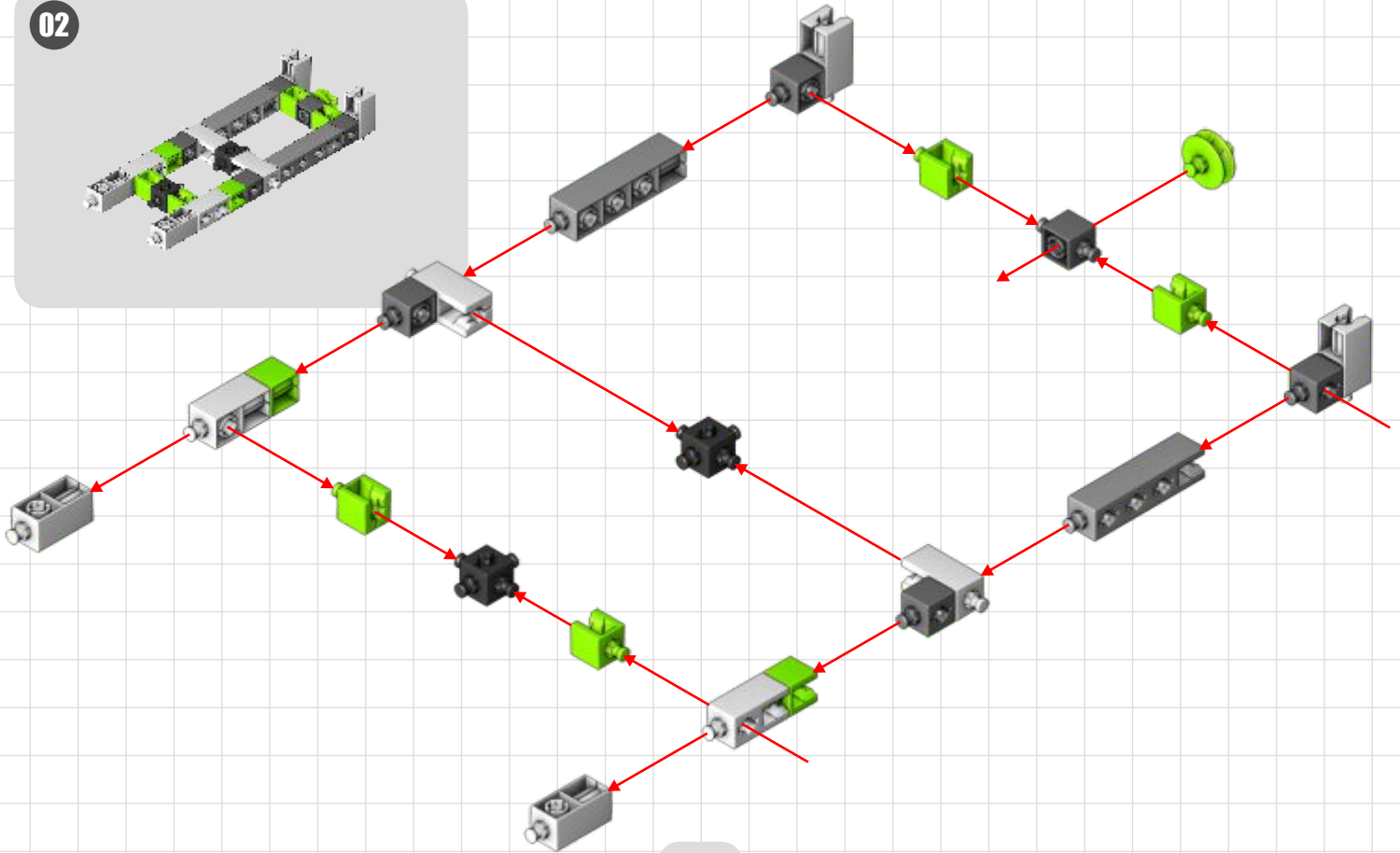
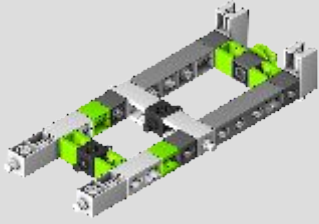
x4





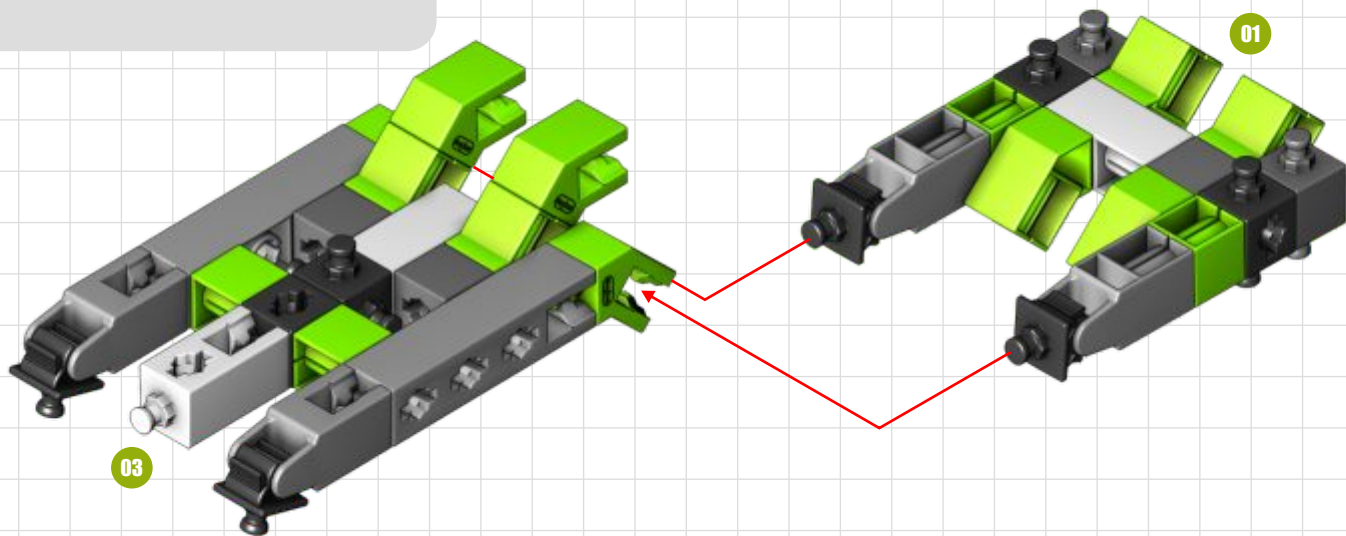
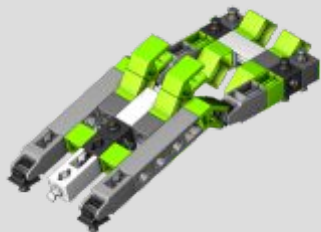


02

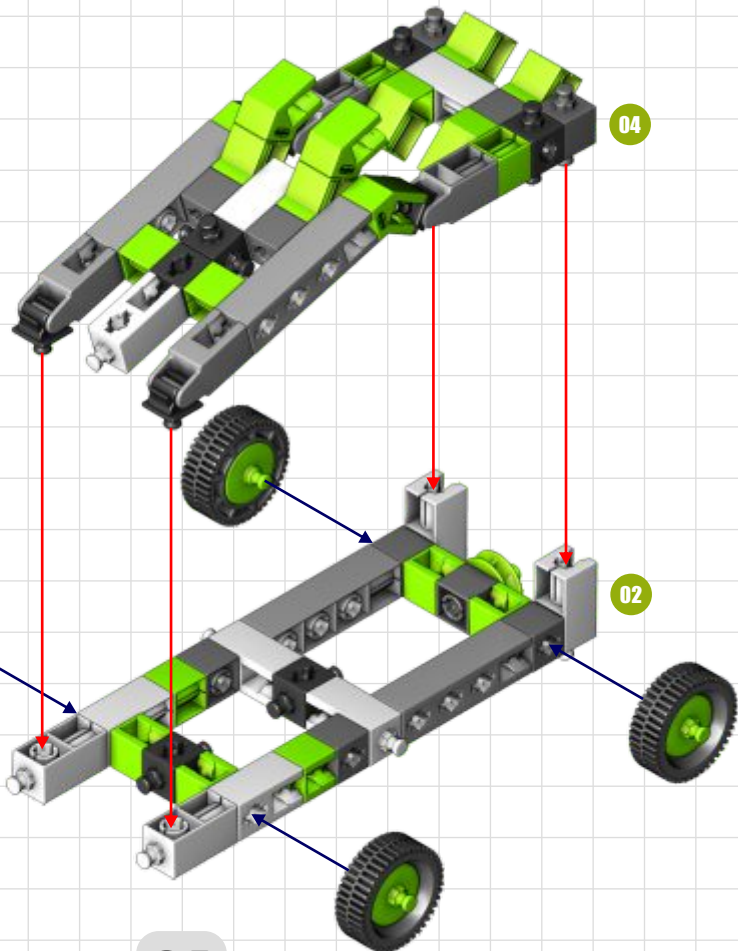
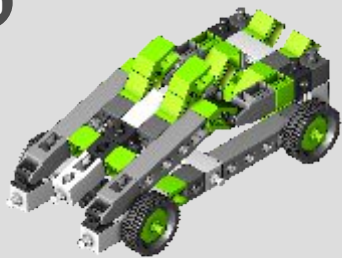




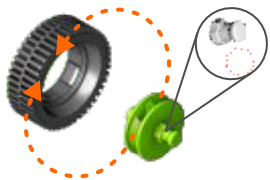
04



05



x4



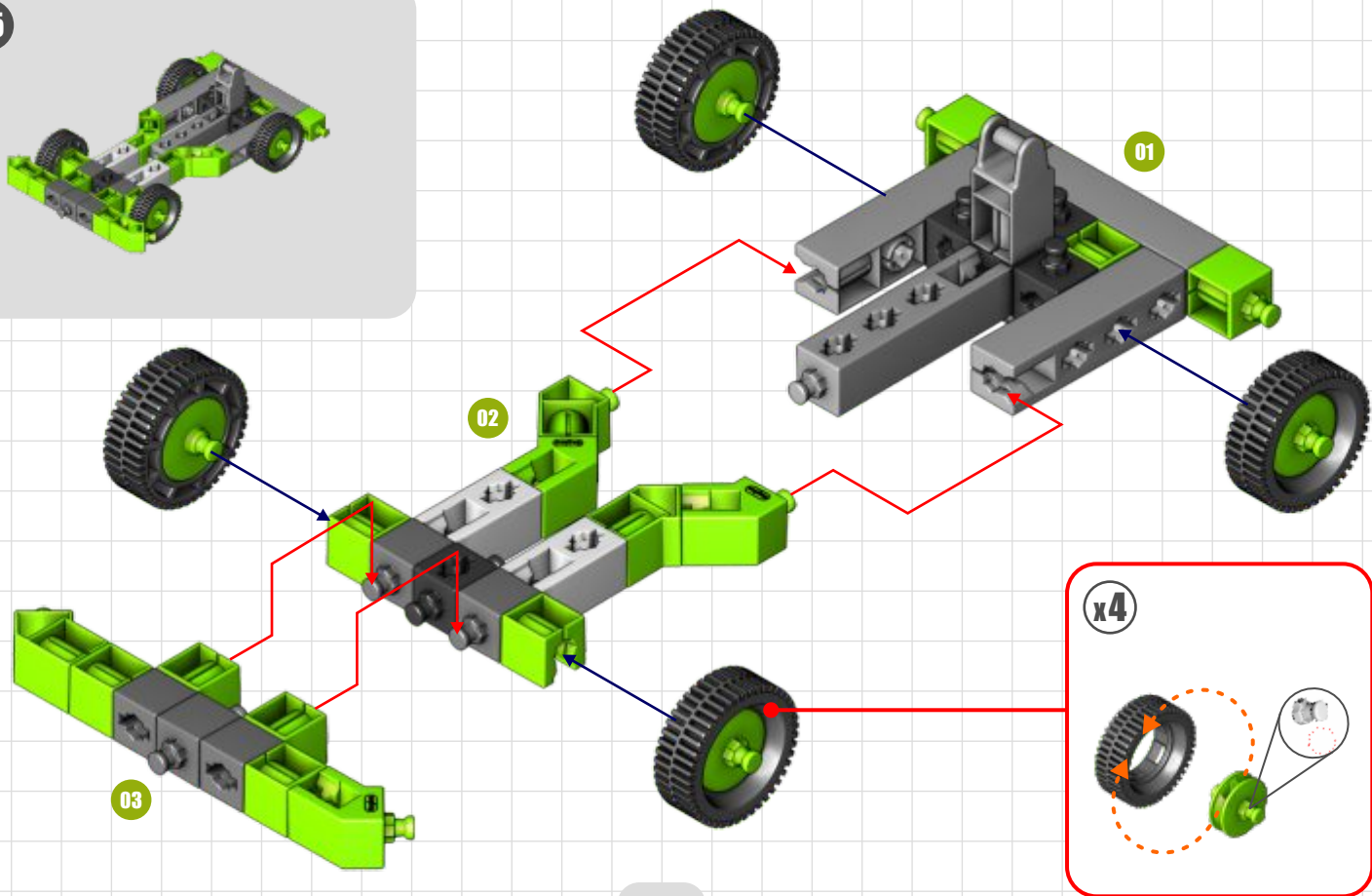
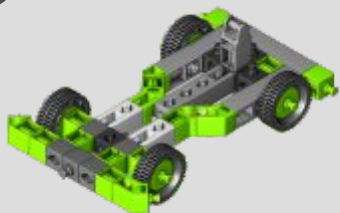




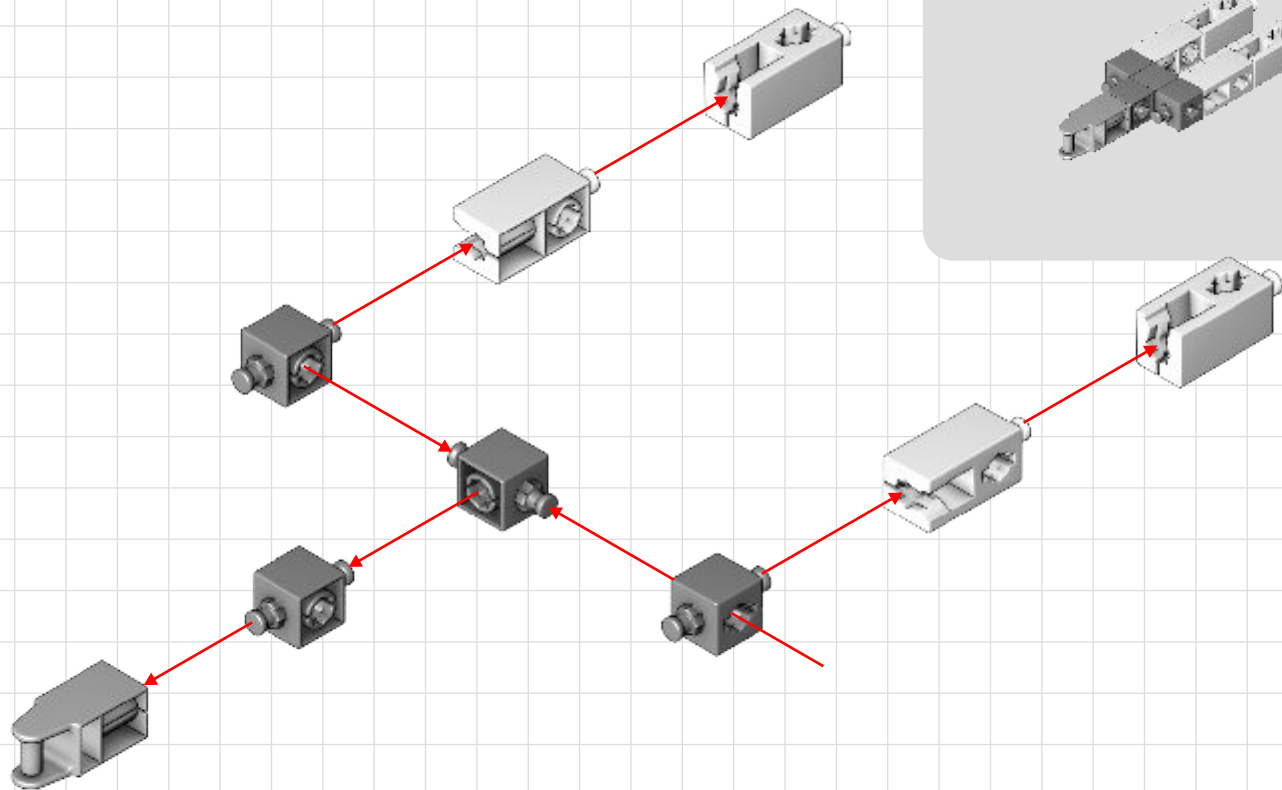
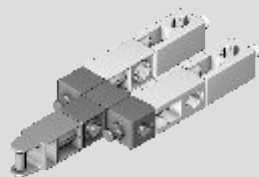




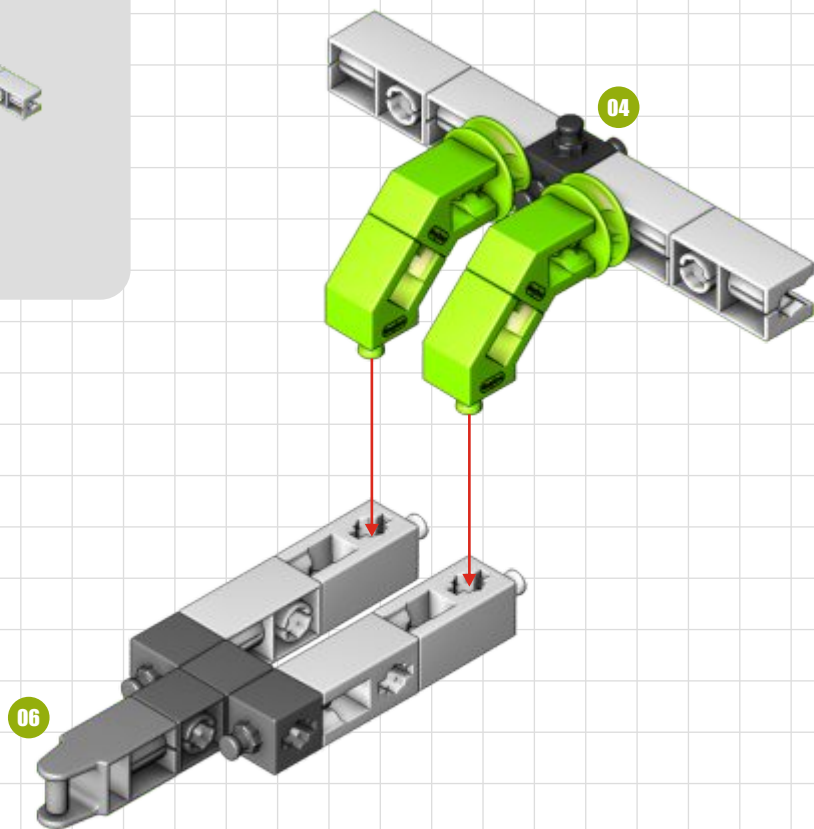
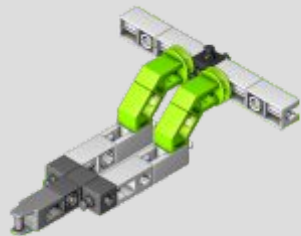
05



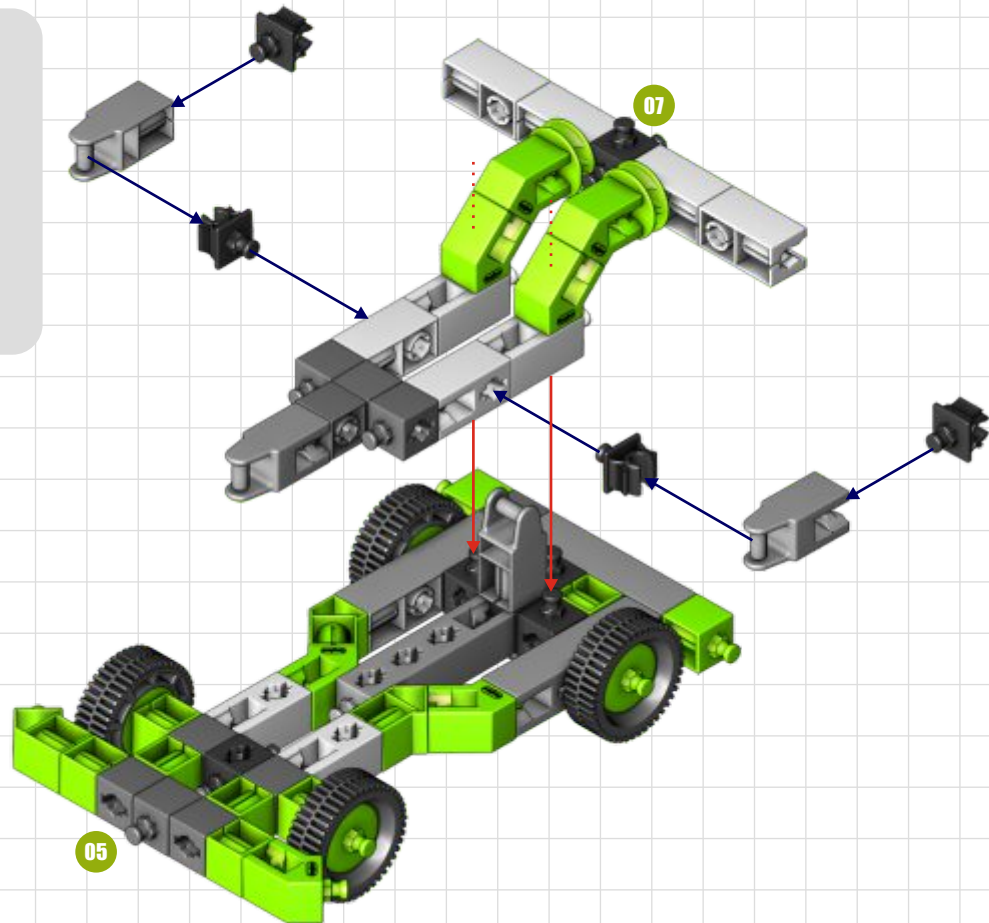
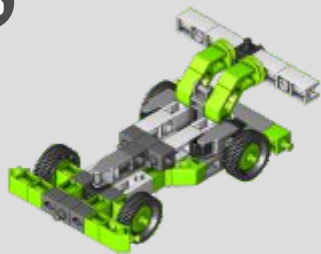
06



07



08





x2



x2



x1



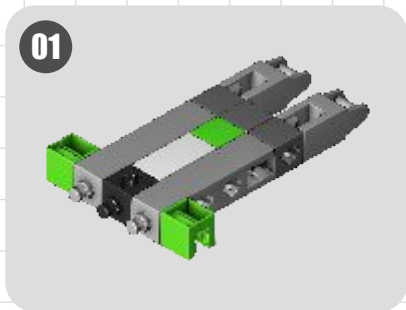
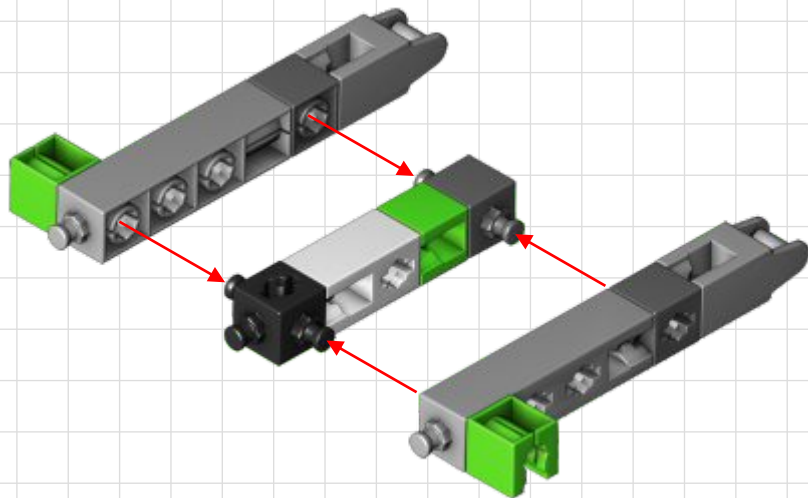
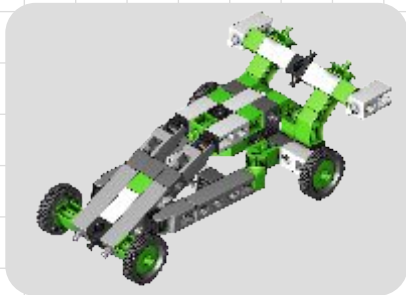
x1

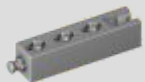


x3



x3





x2



x2



x1



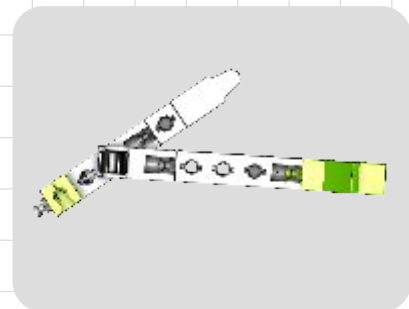
x4



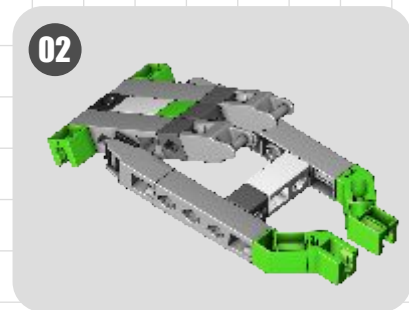
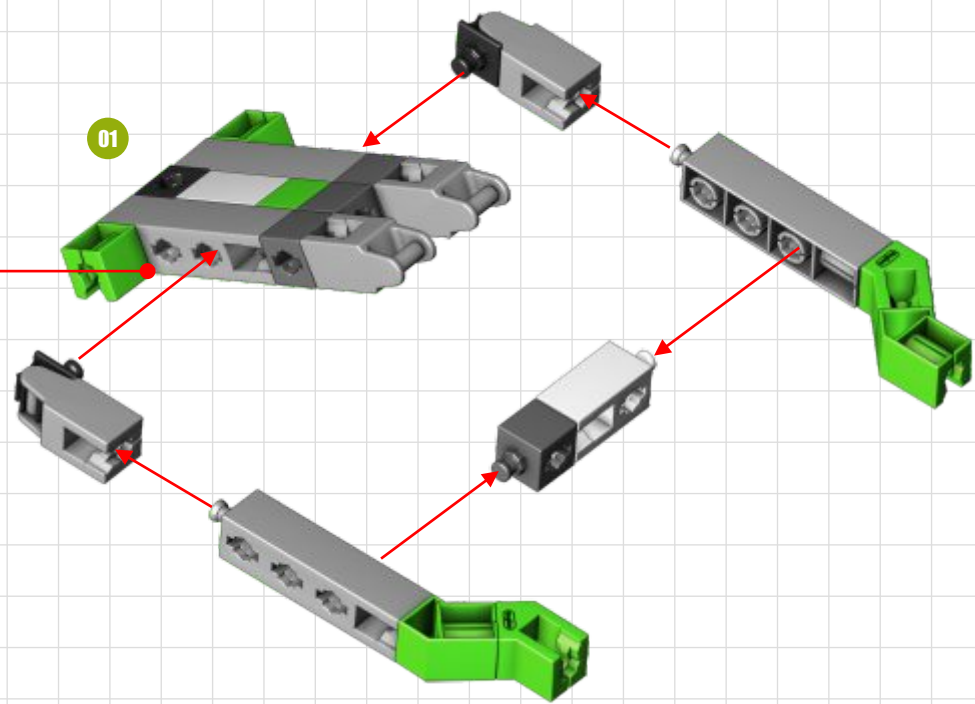
x1



x2



01



02



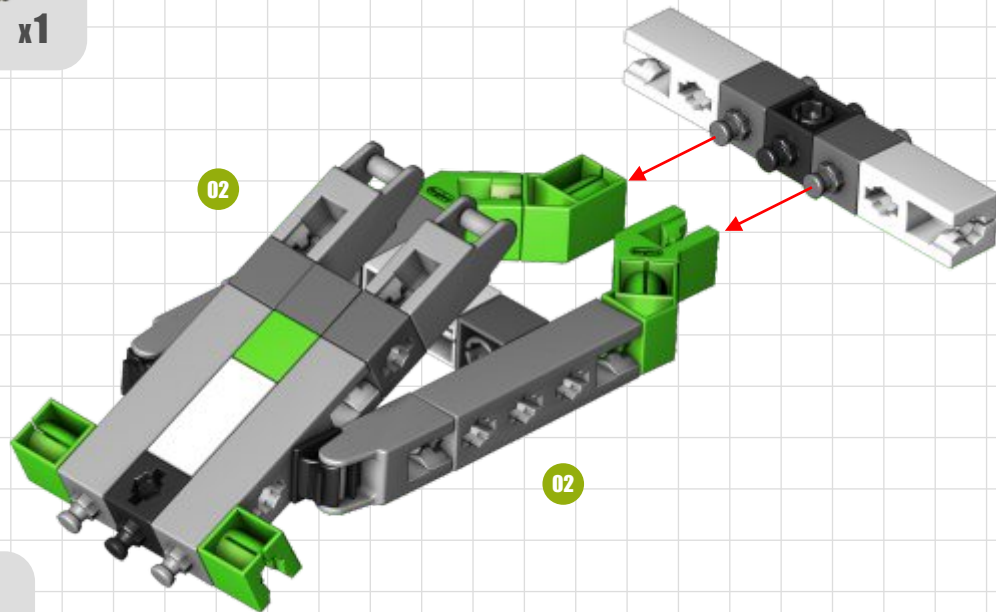
x2



x2



x1



03





x3



x1



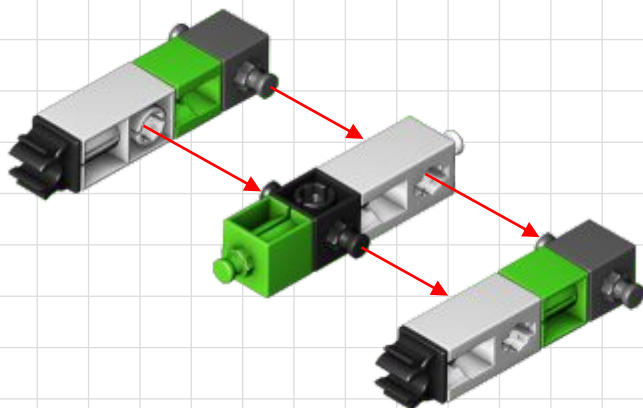
x3



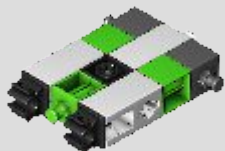
x2



x2



04



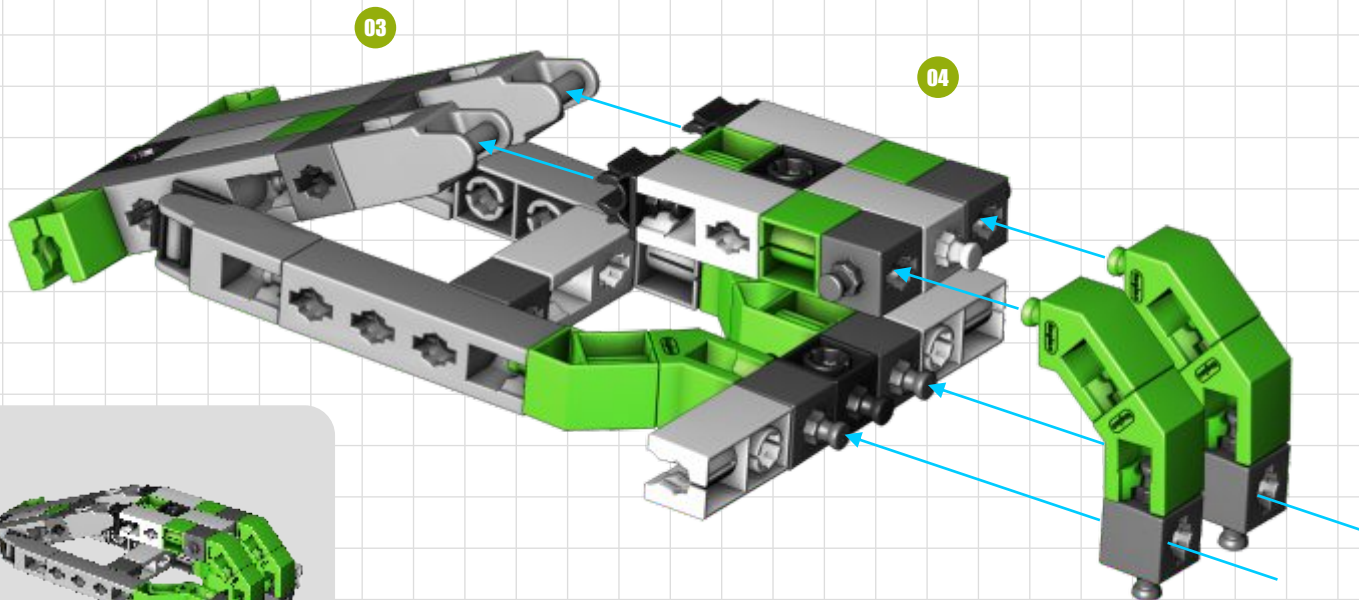




x4



x2



05





x4



x3



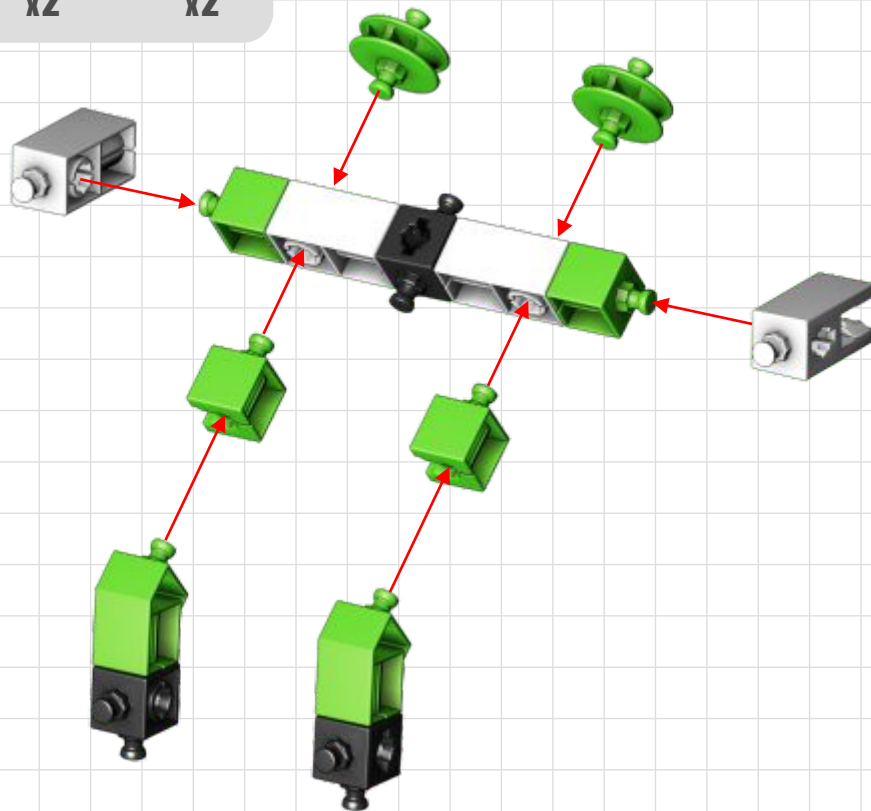
x4



x2

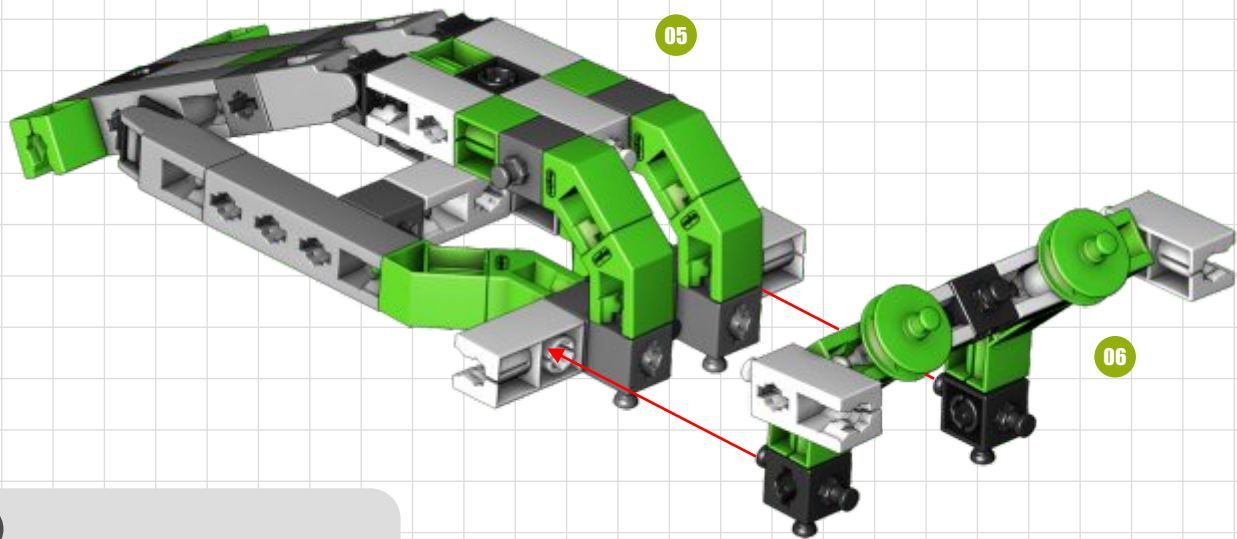


x2



06





07

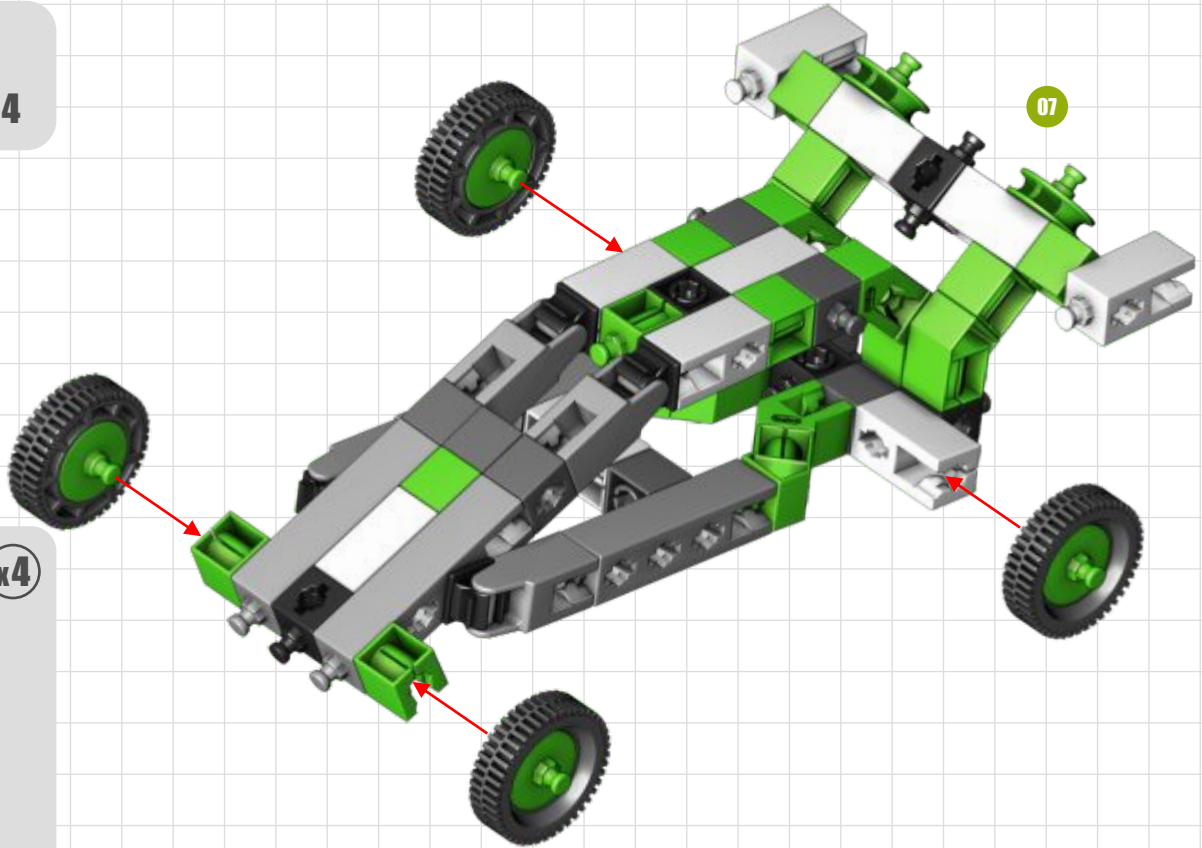




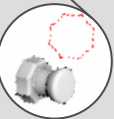
x4

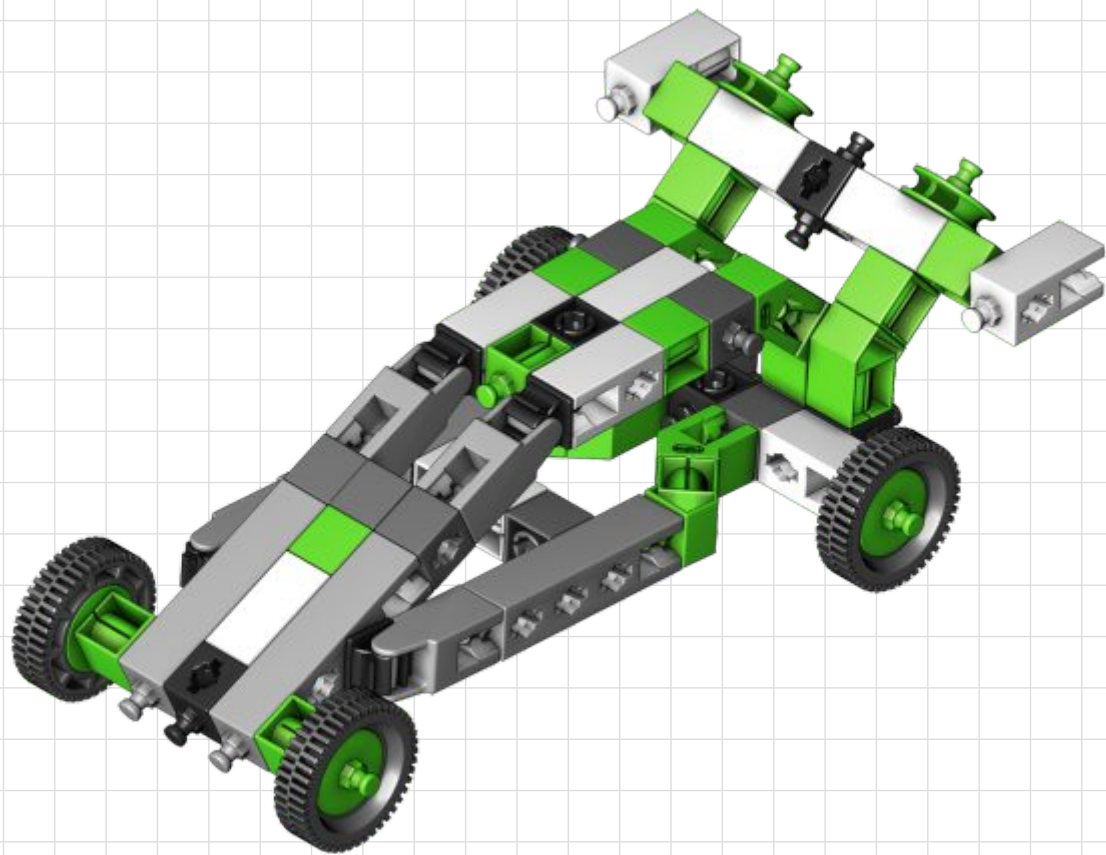


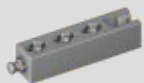
x4



x4







x2



x2



x2



x1



x2



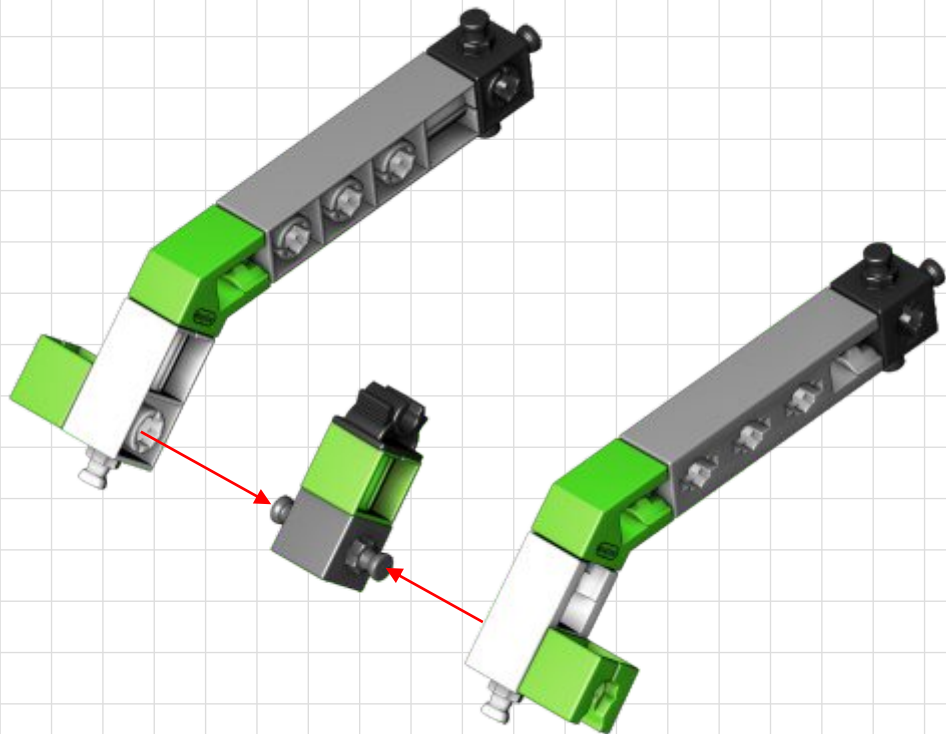
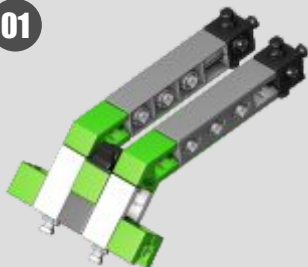
x3



x1



01





x2



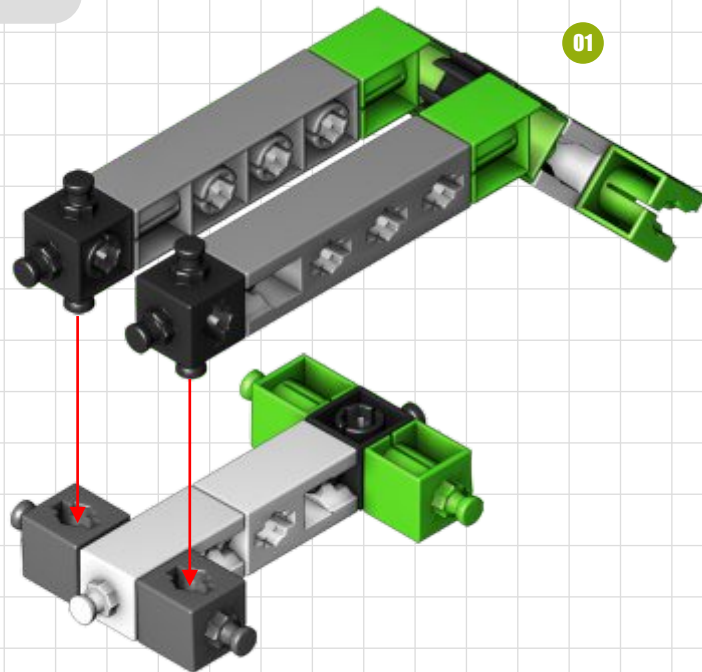
x1



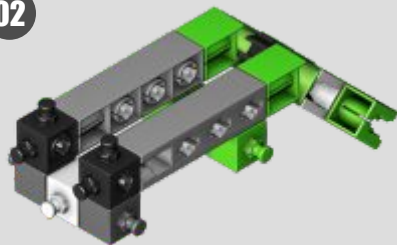
x2



x2



02





x1



x1

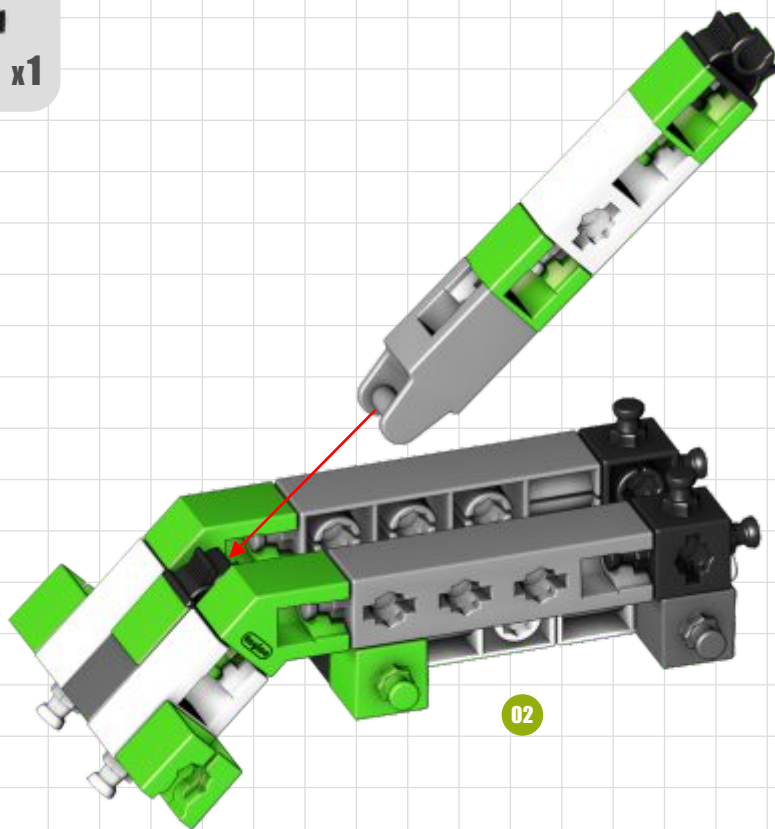
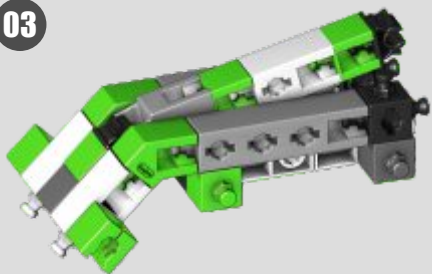


x2



x1

03



02





x1



x2

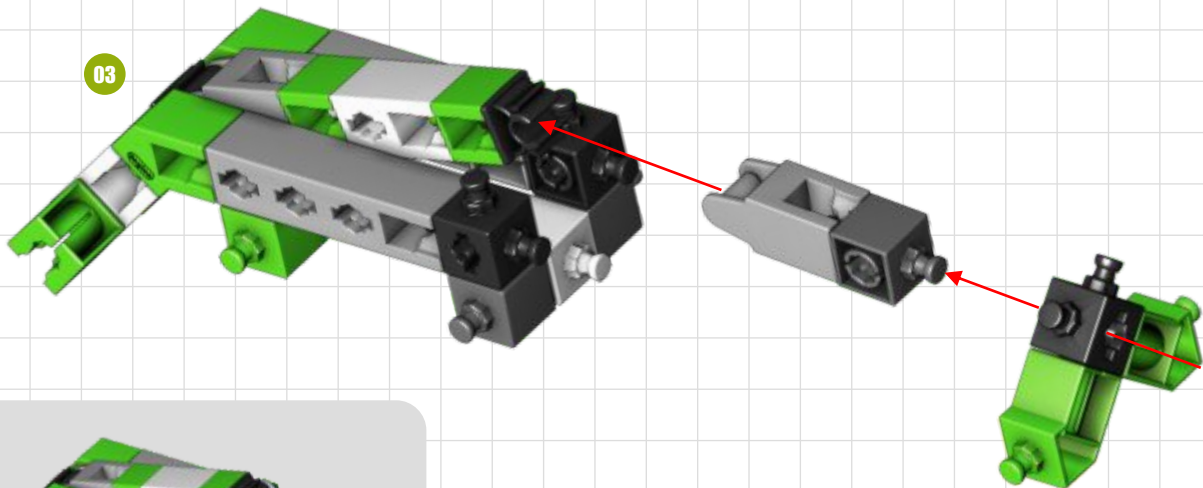


x1

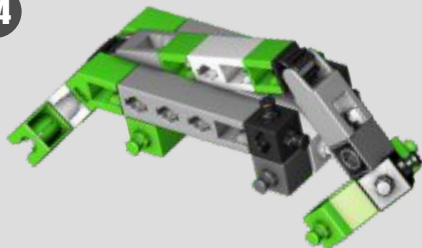


x1

03



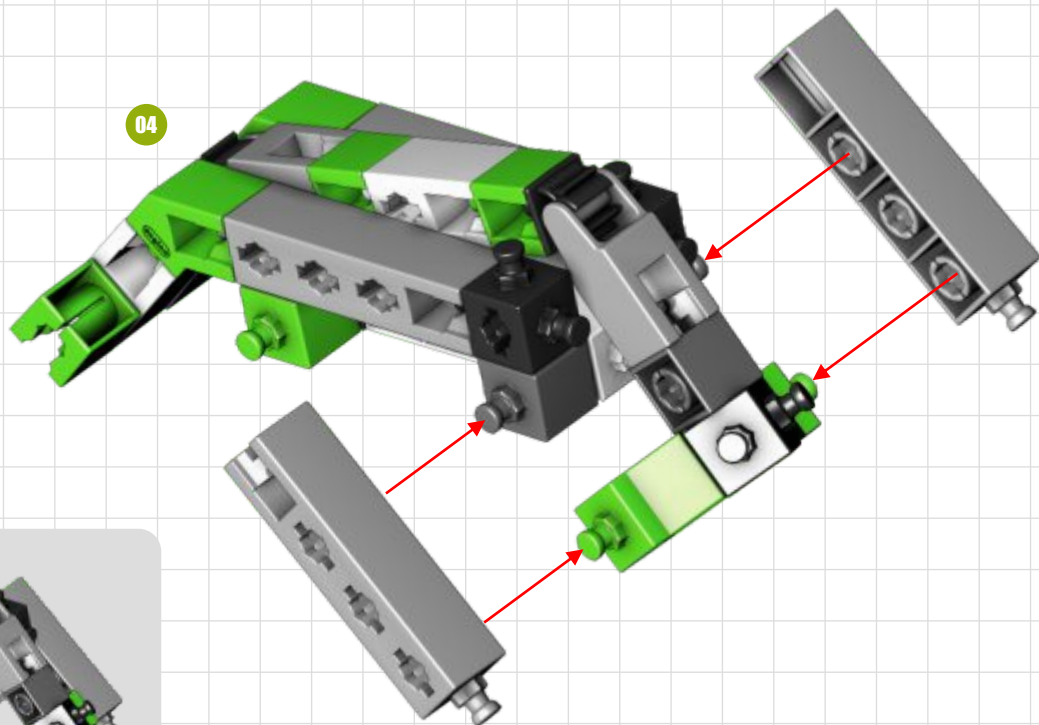
04



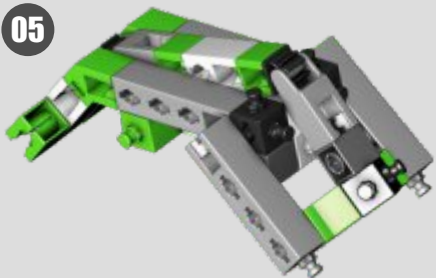


x2

04



05





x2



x4



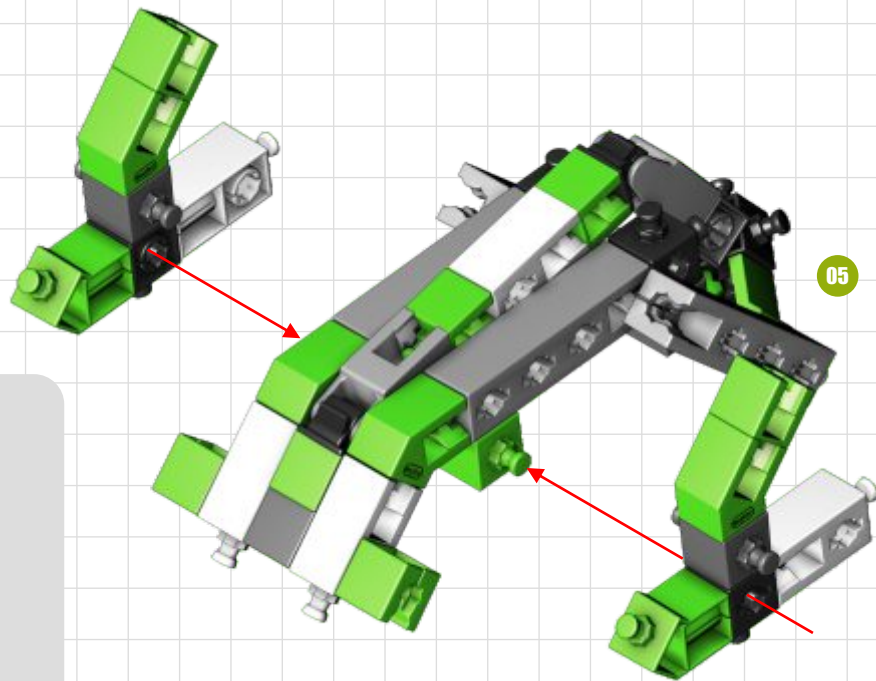
x2



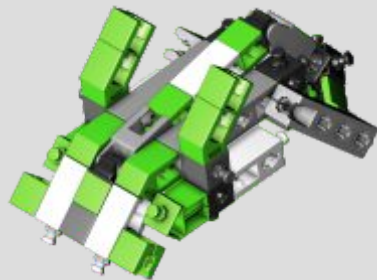
x2



x2



06





x2



x2



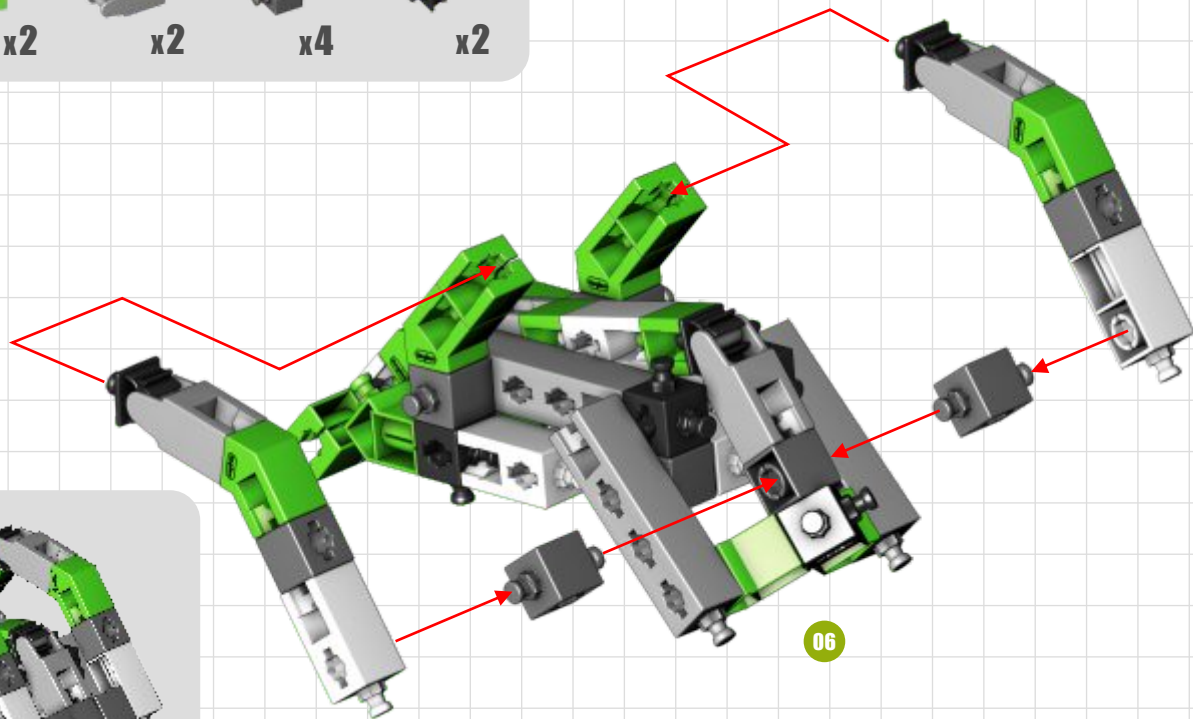
x2



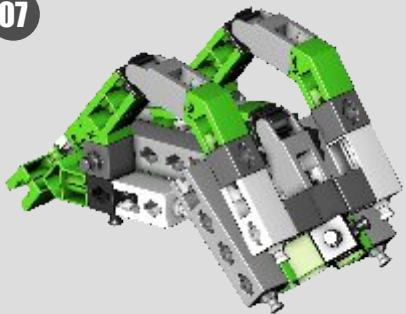
x4



x2



07

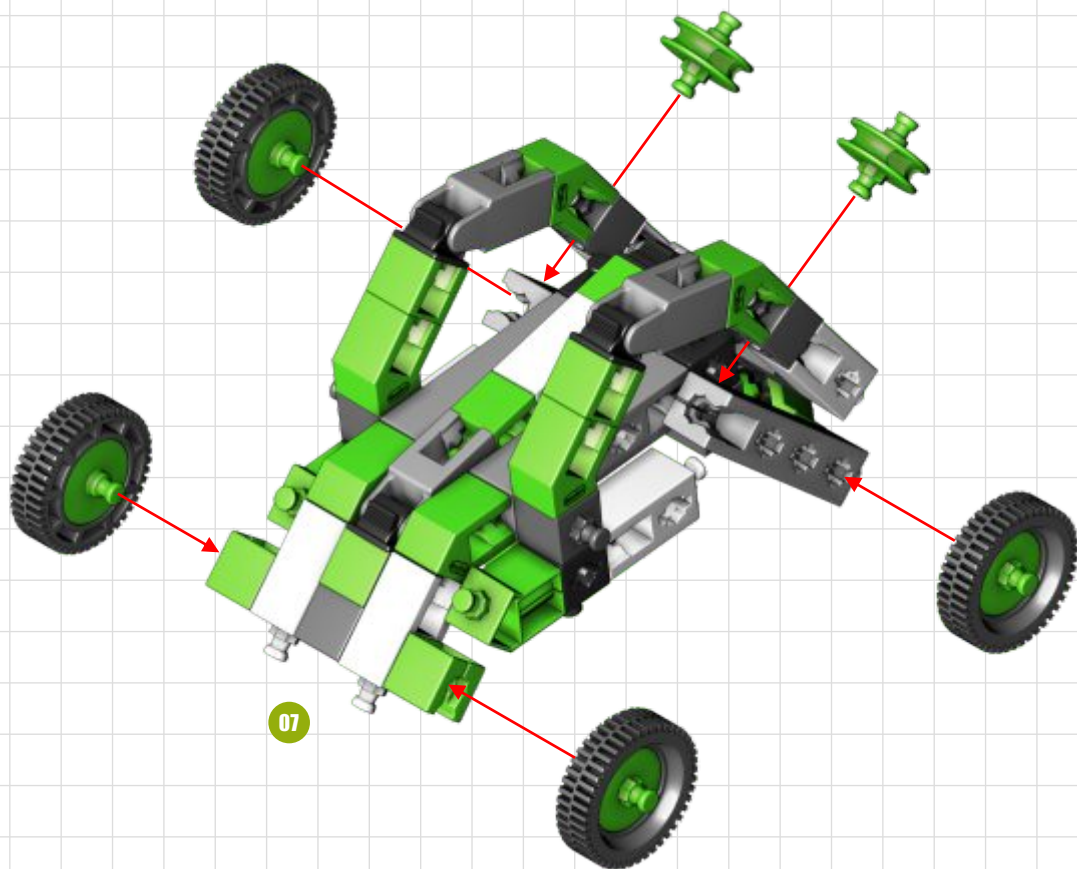




x4



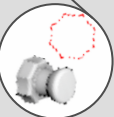
x6

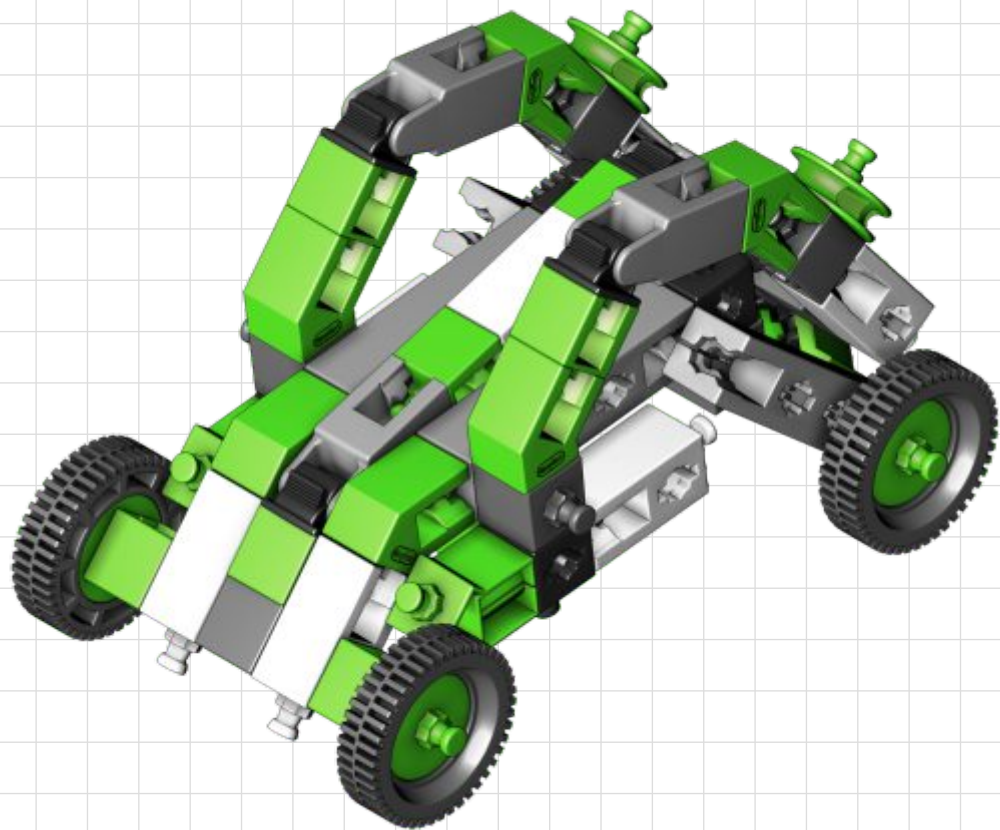


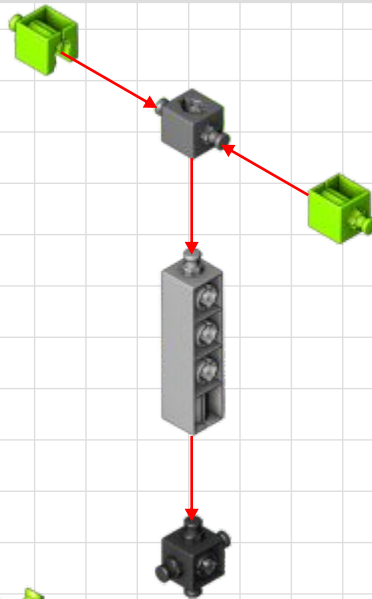
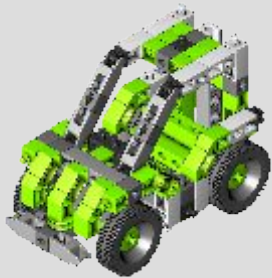
07



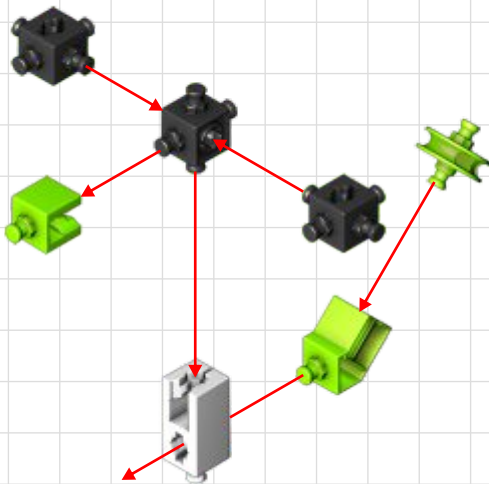
x4







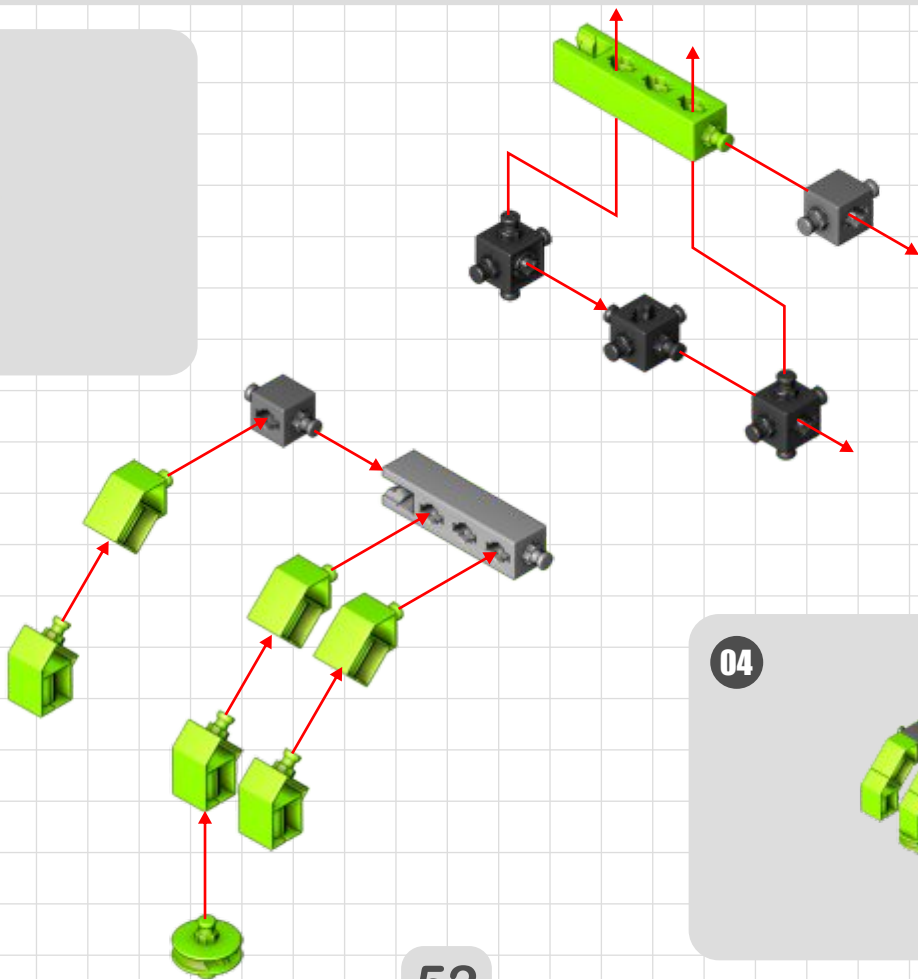
01



02



03

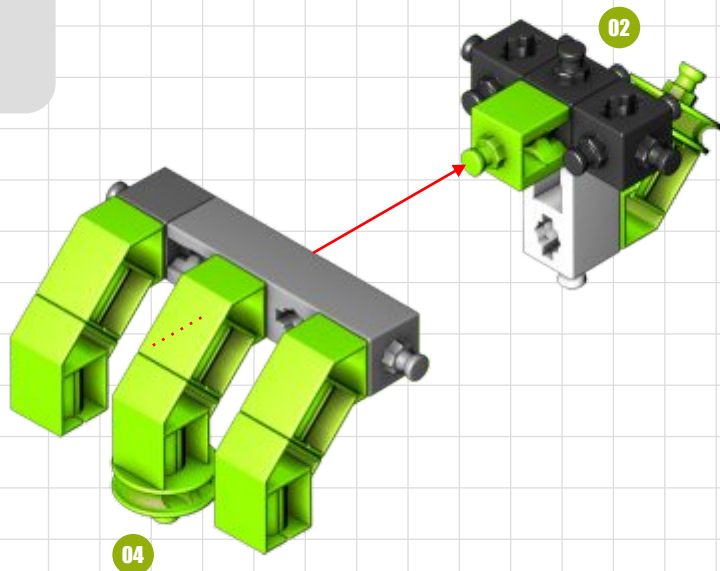
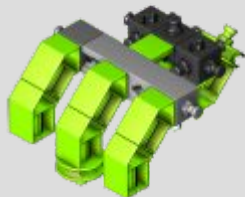


04

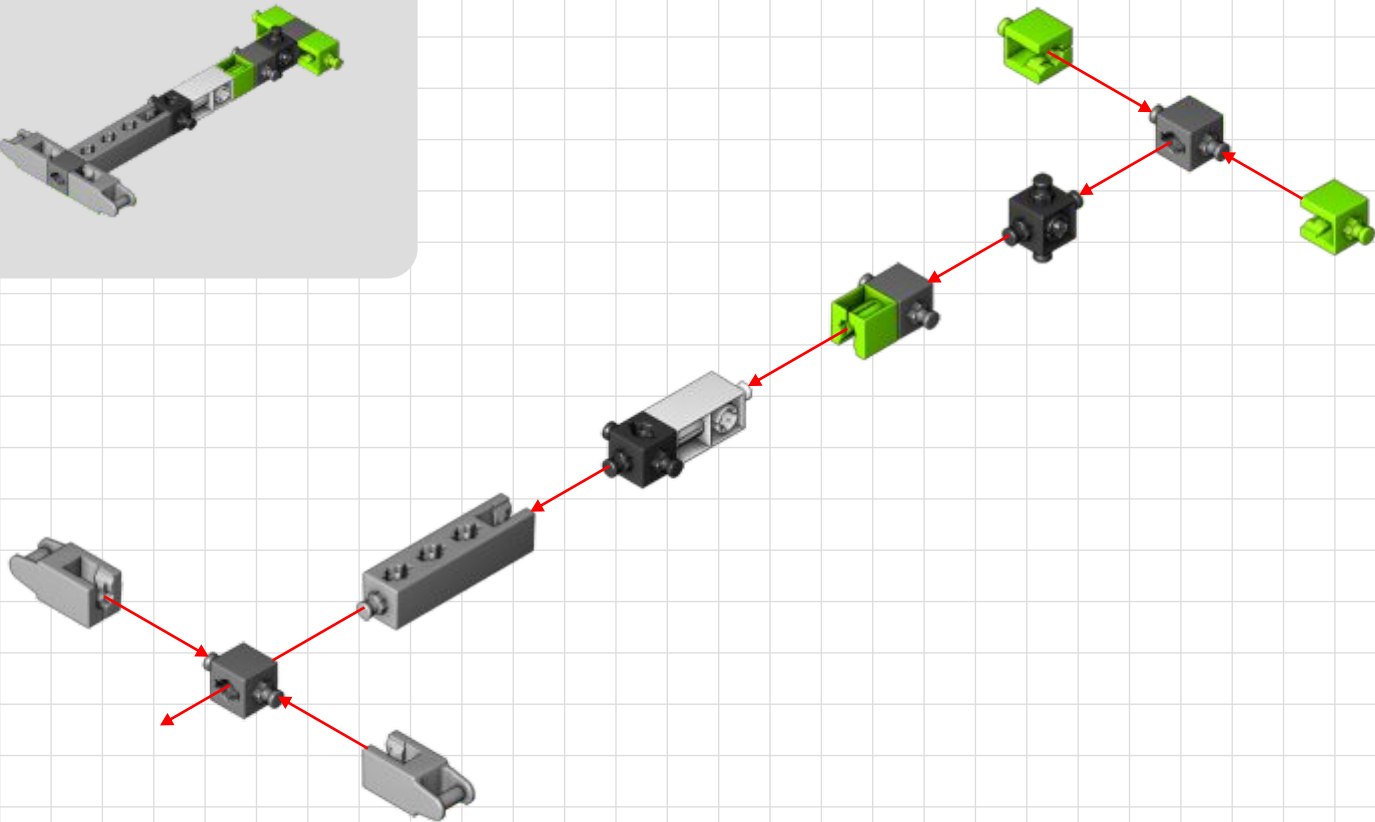
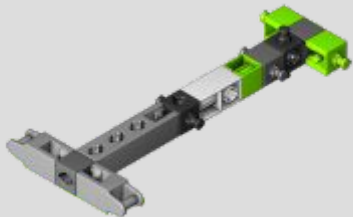




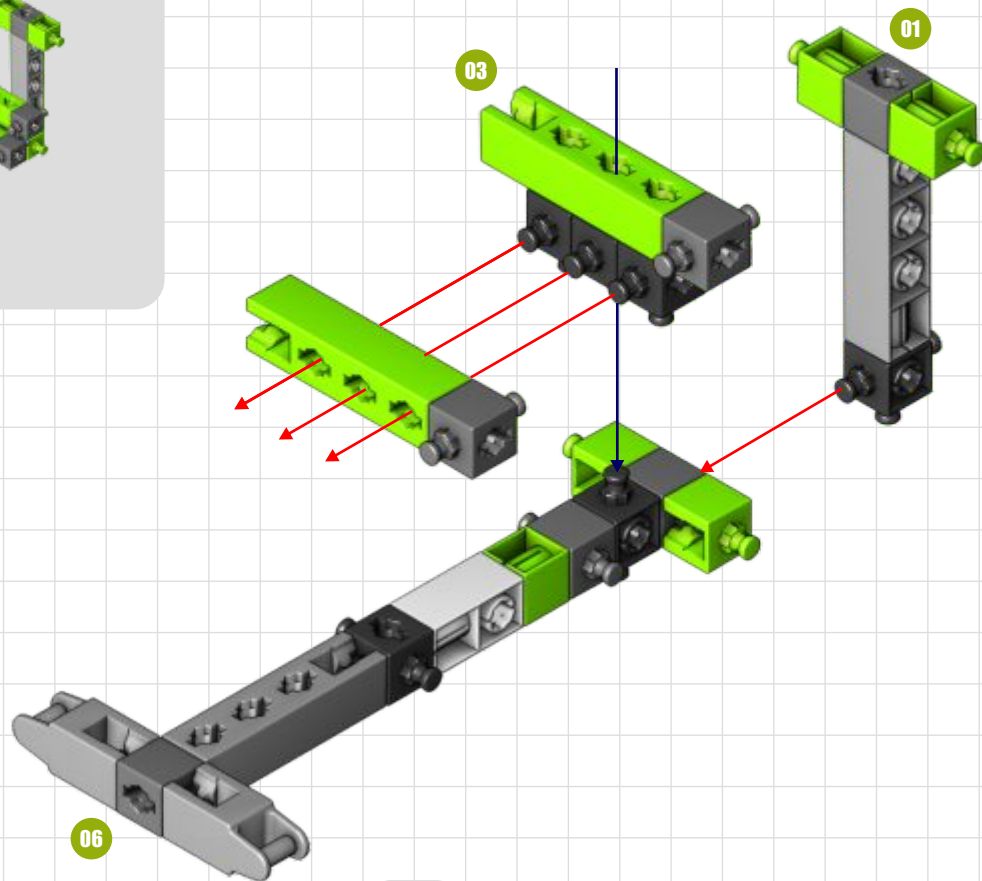
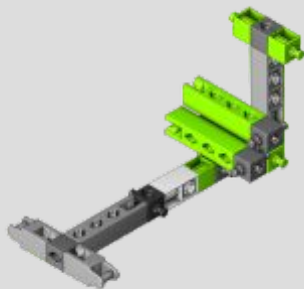
05



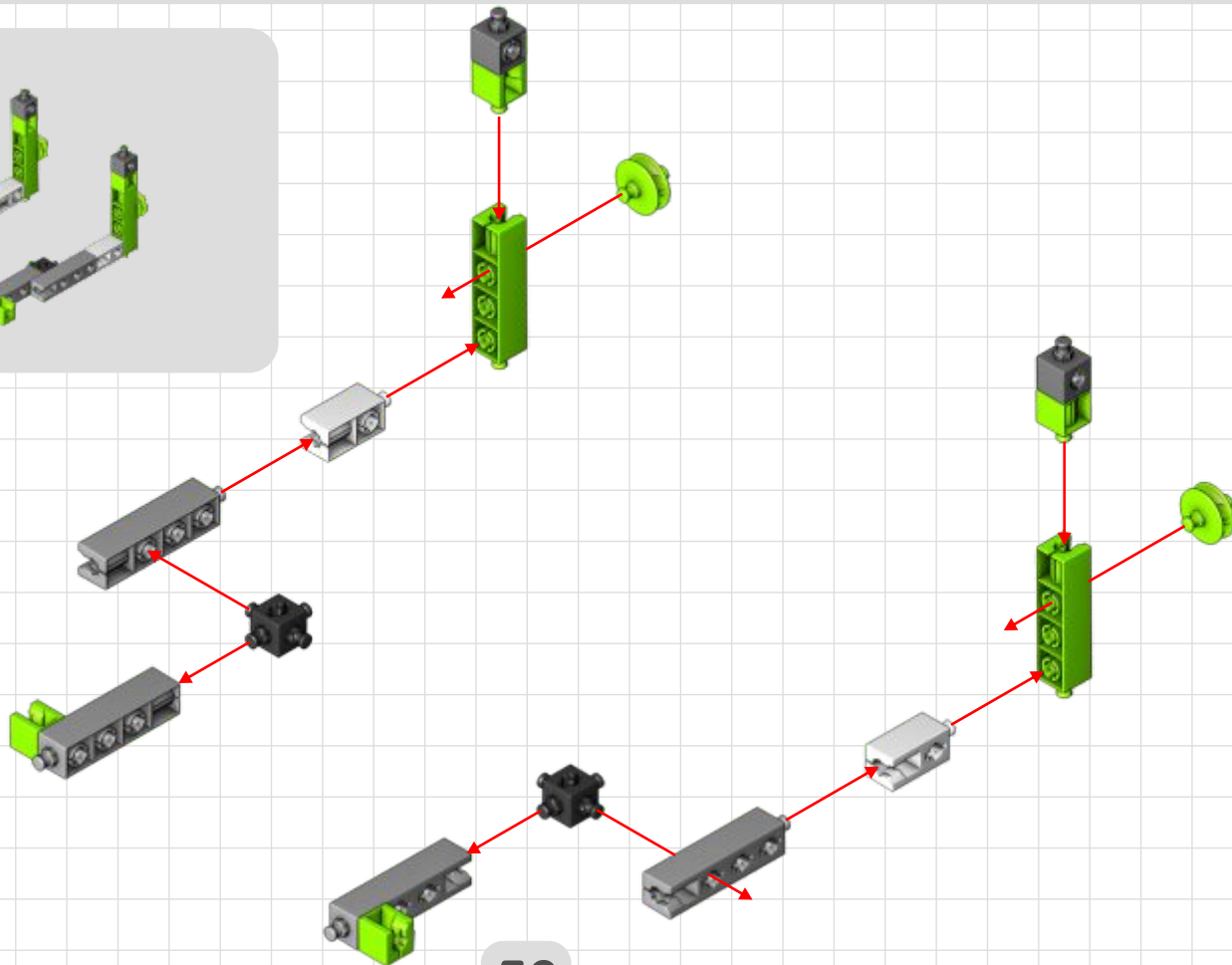
06



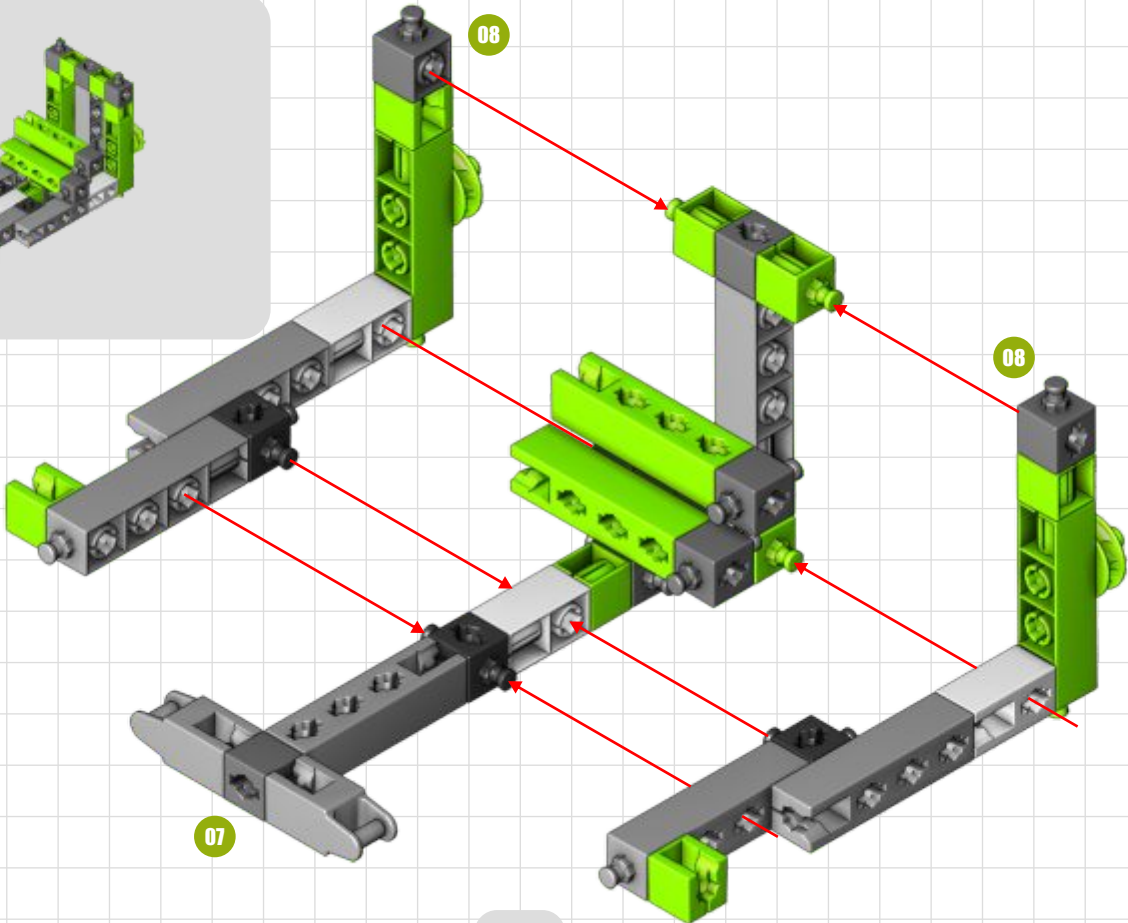
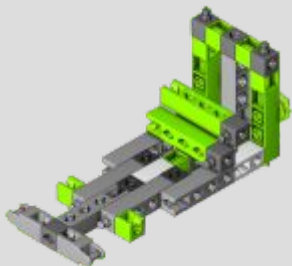
07



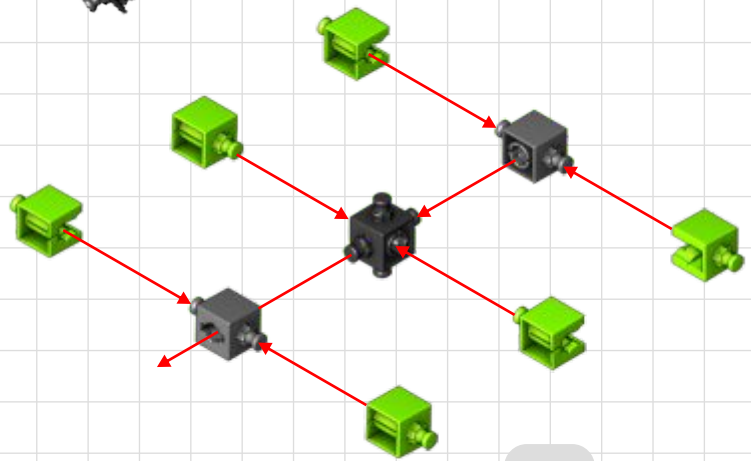
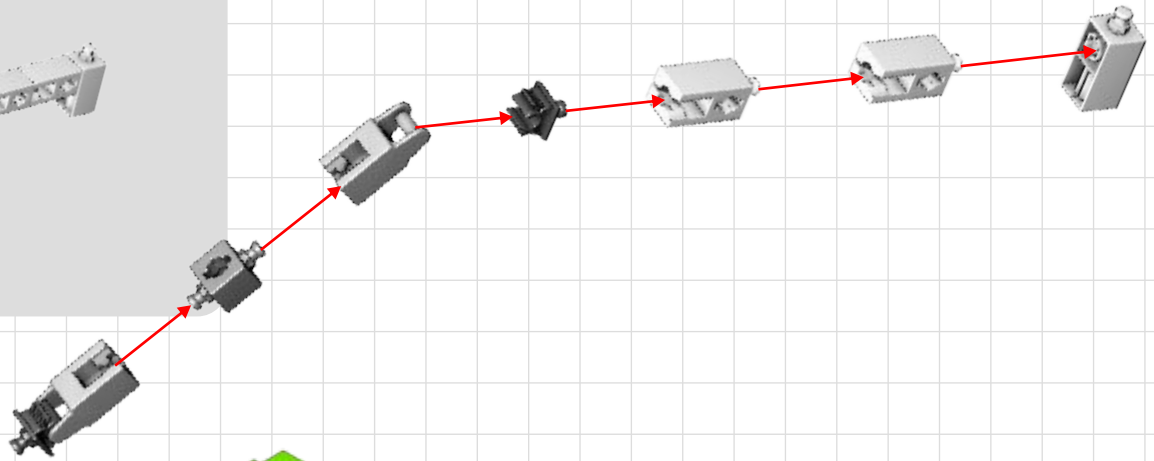
08



09

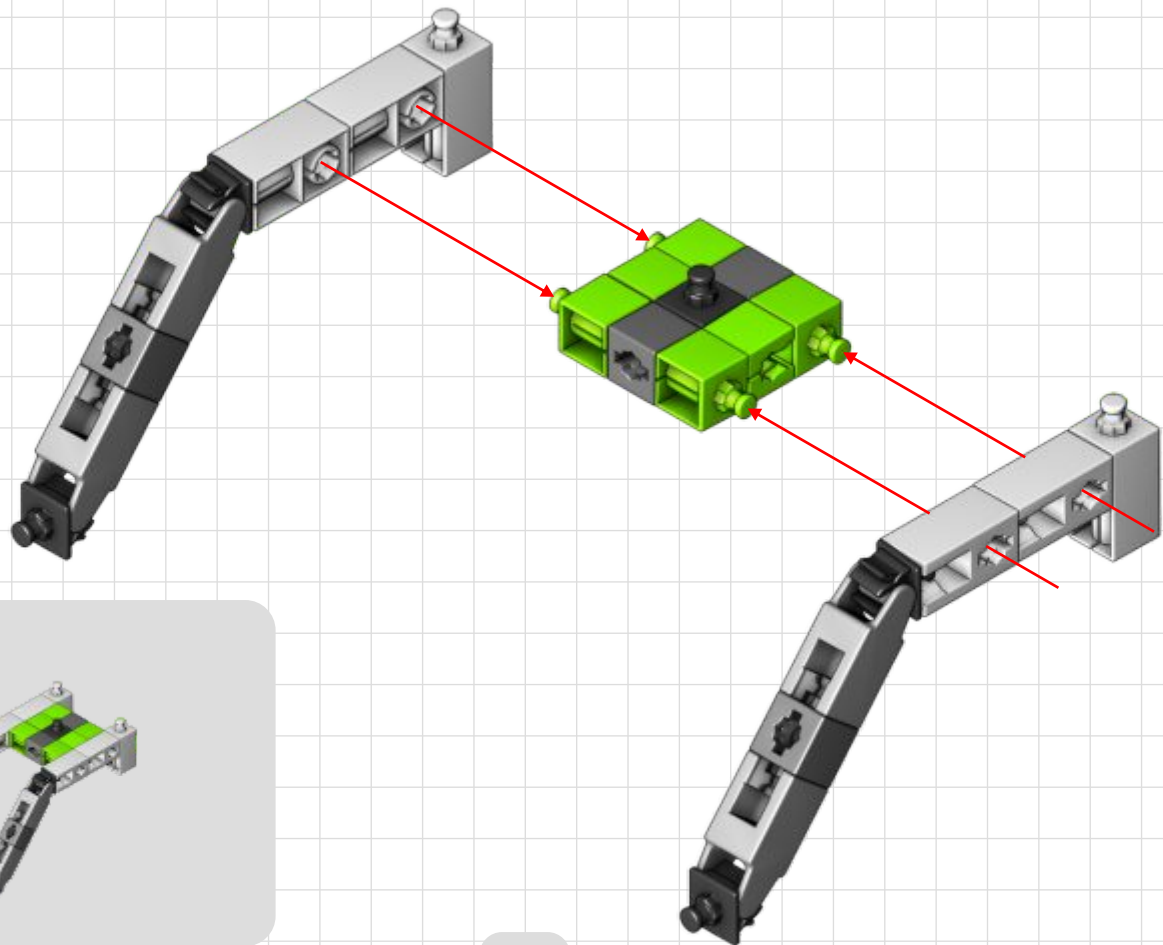


10 x2

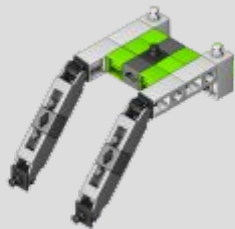


11

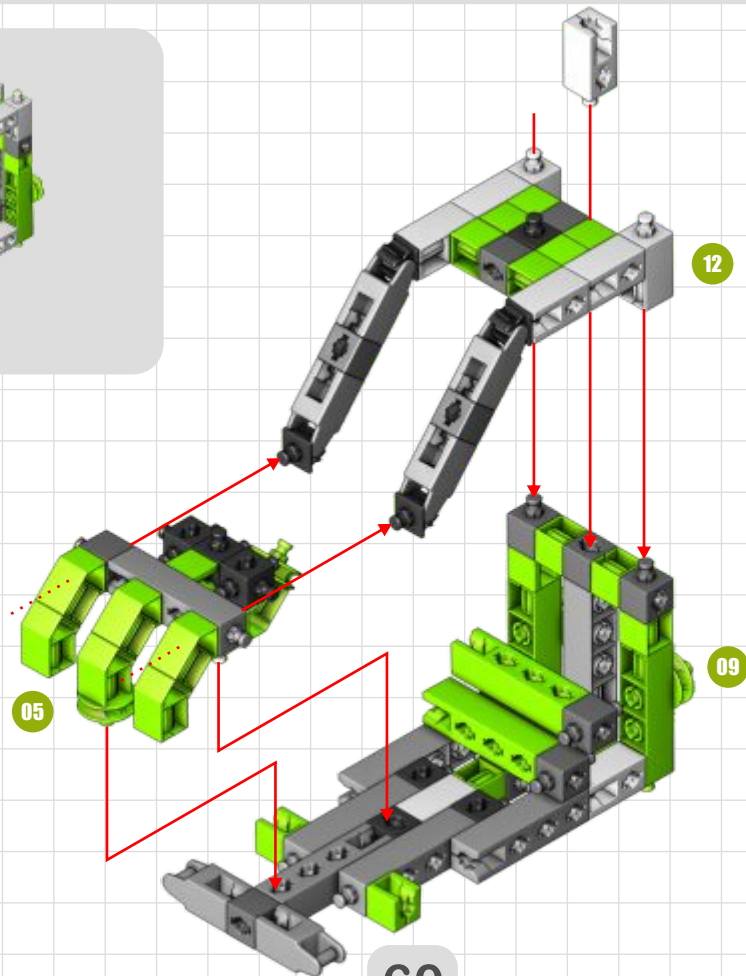
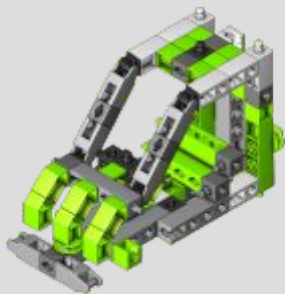




12

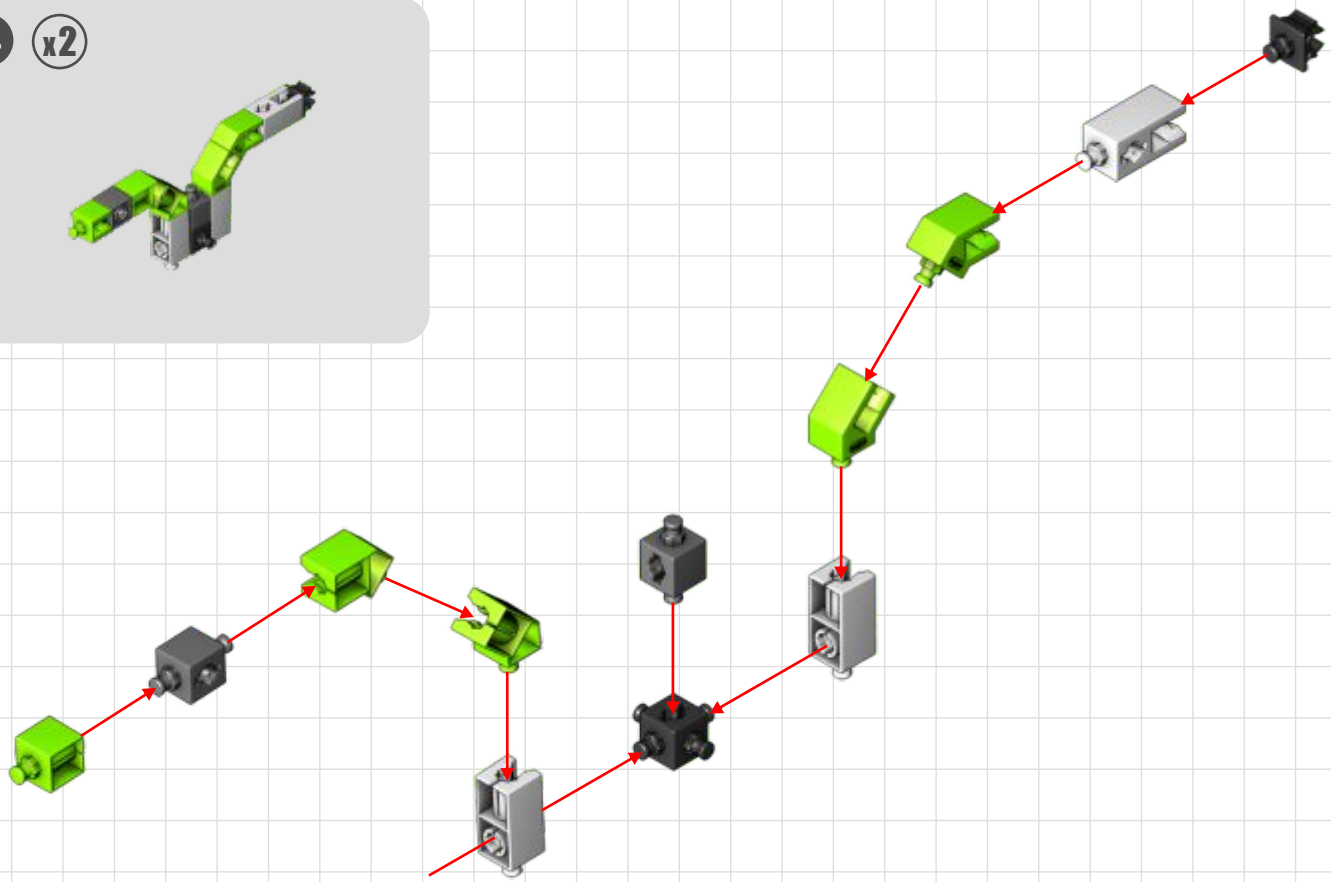
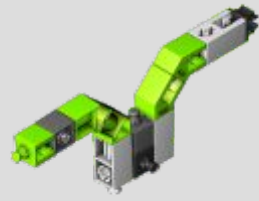


13

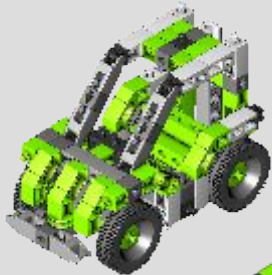




14 (x2)



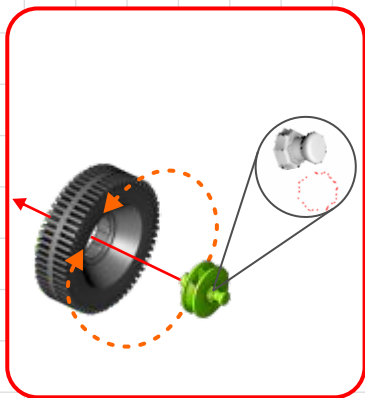
15

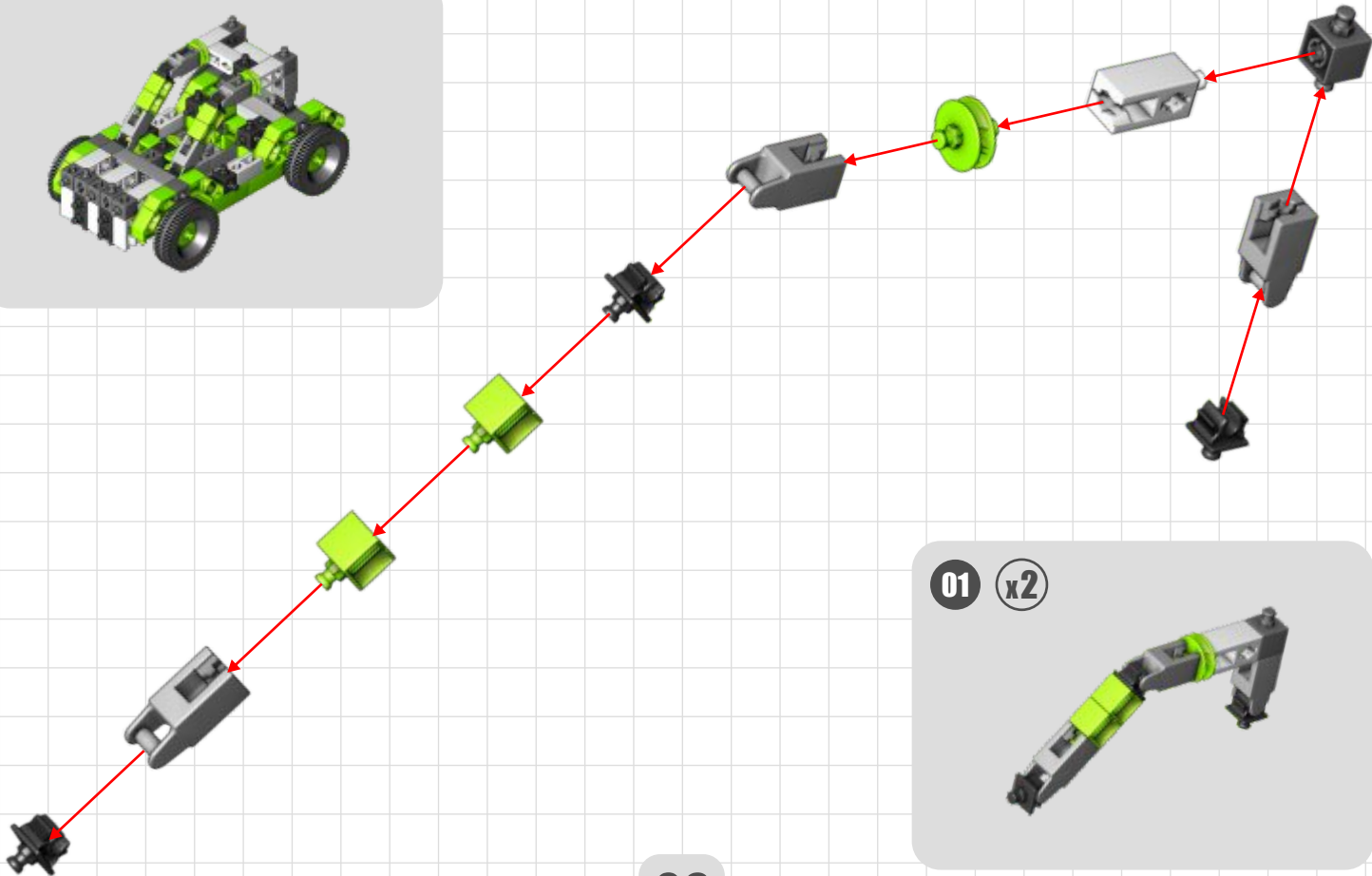
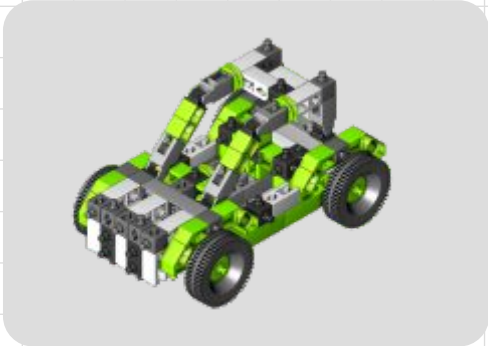


14

13

14

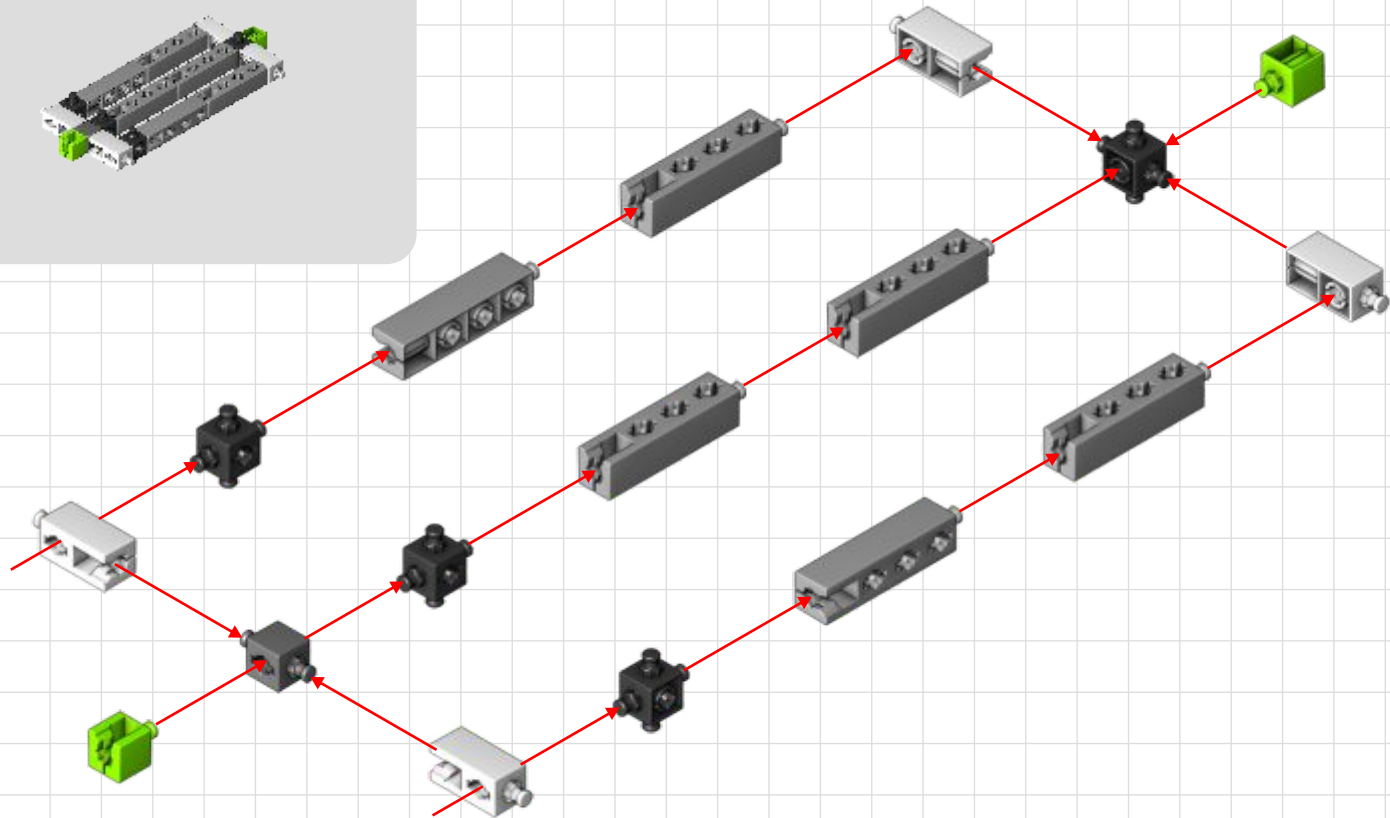




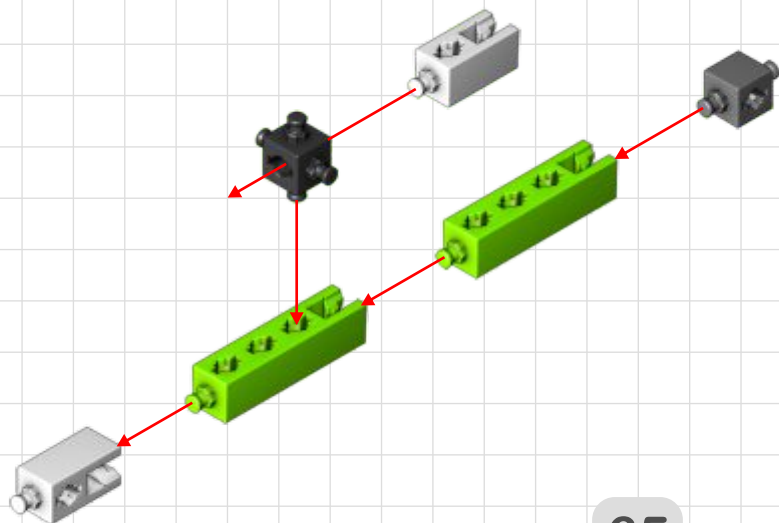
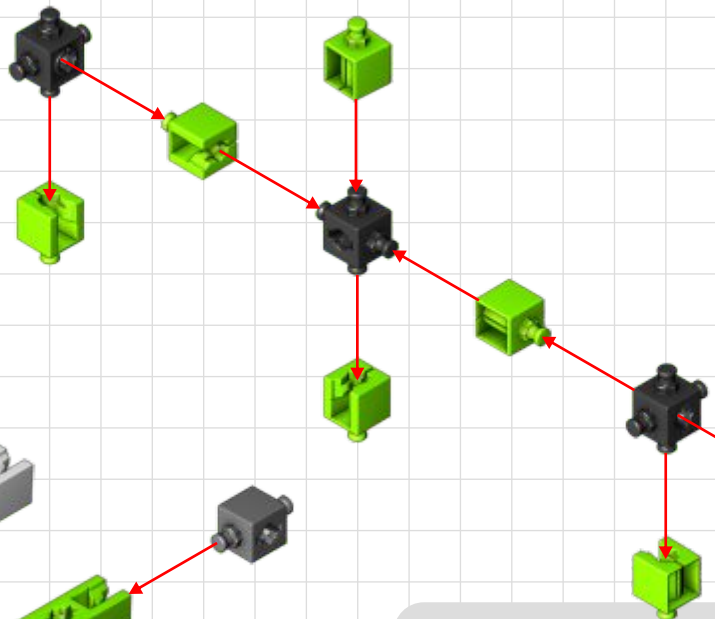
01 x2



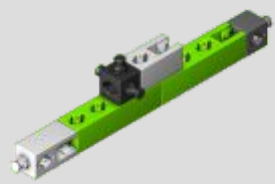
02



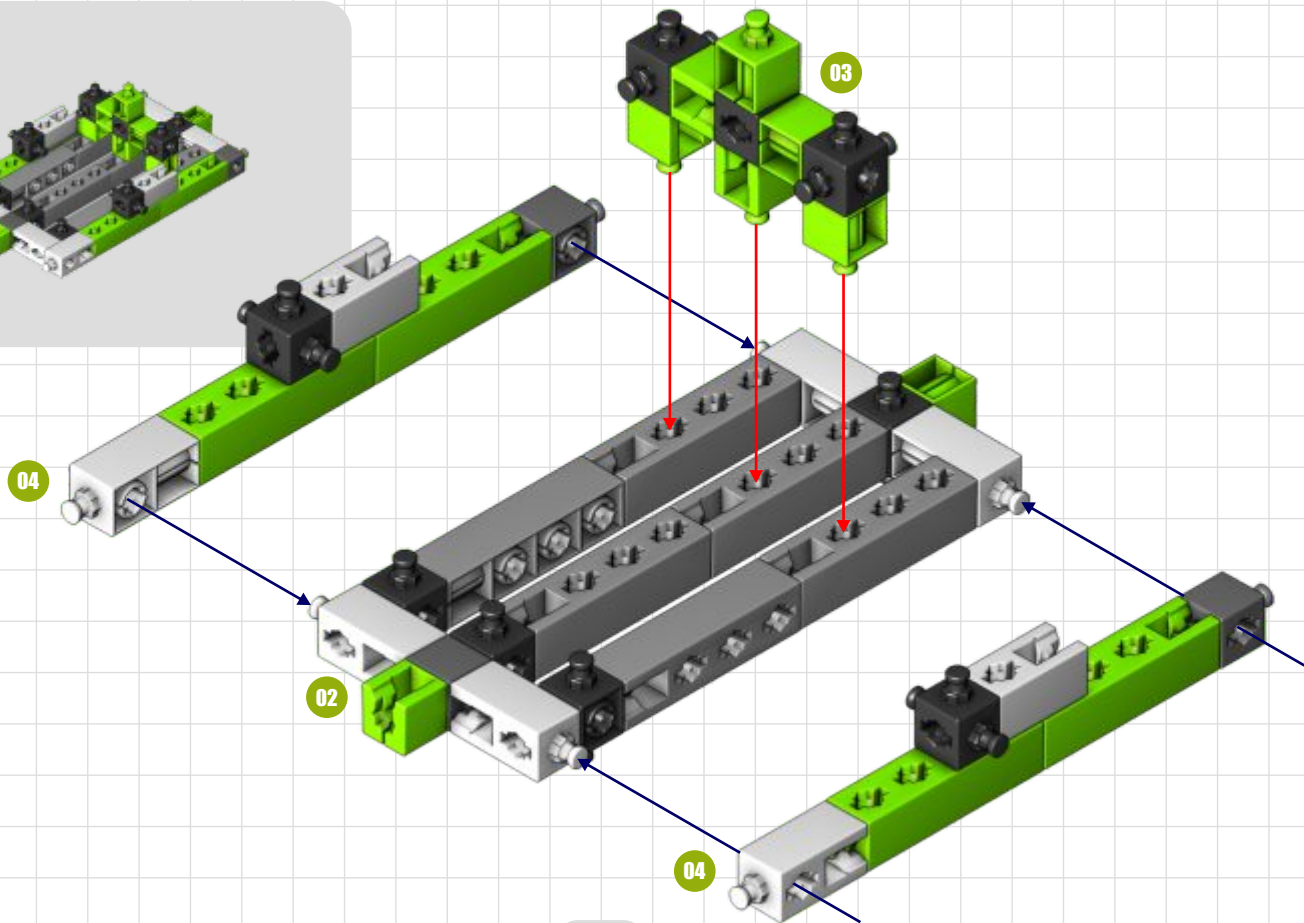
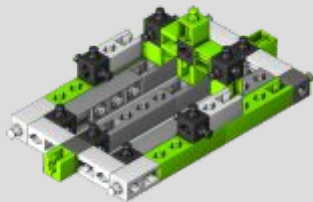
03



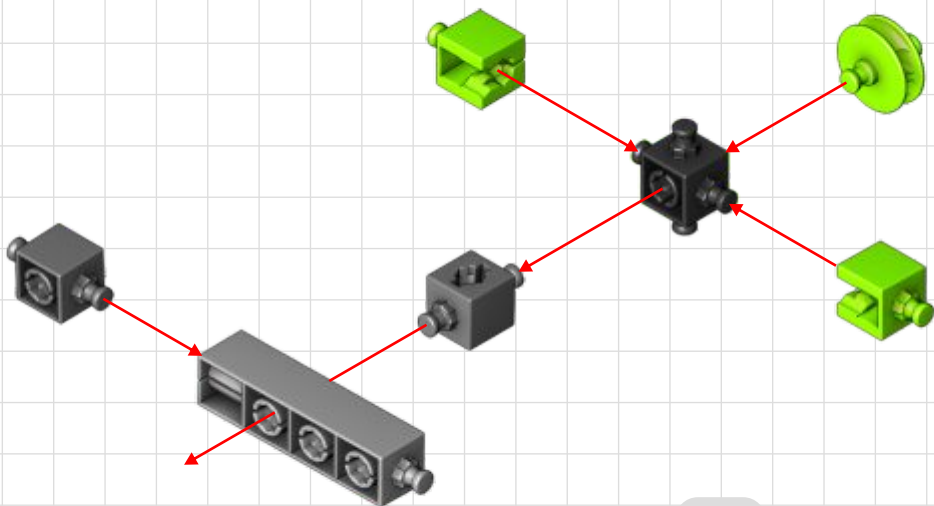
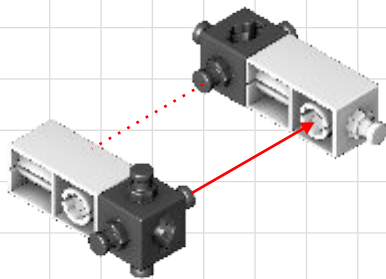
04 x2



05

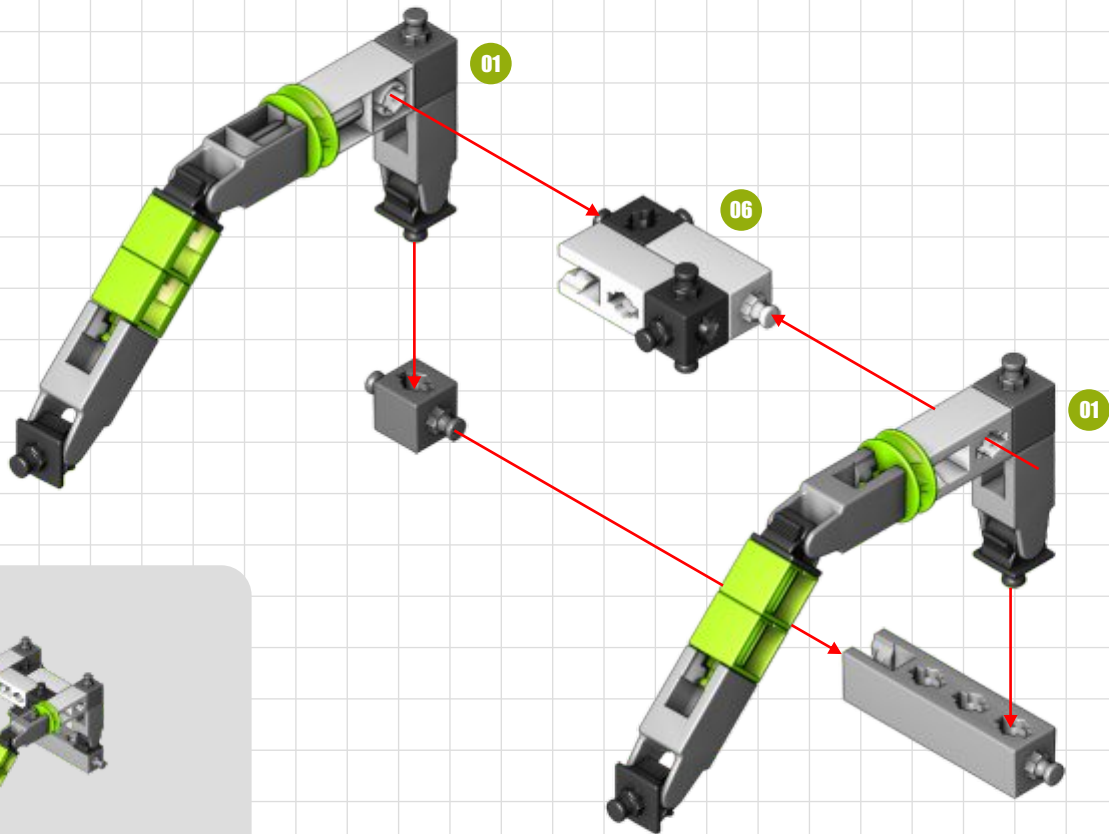


06



07

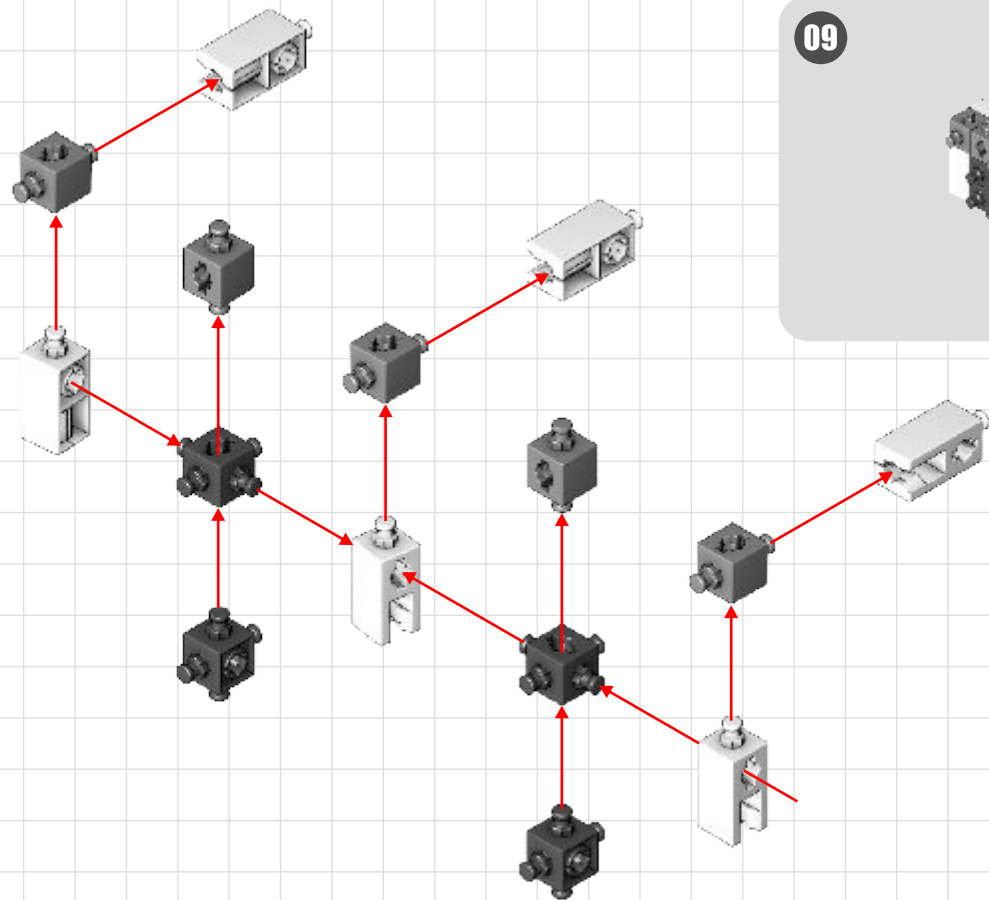




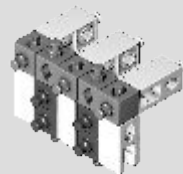
08



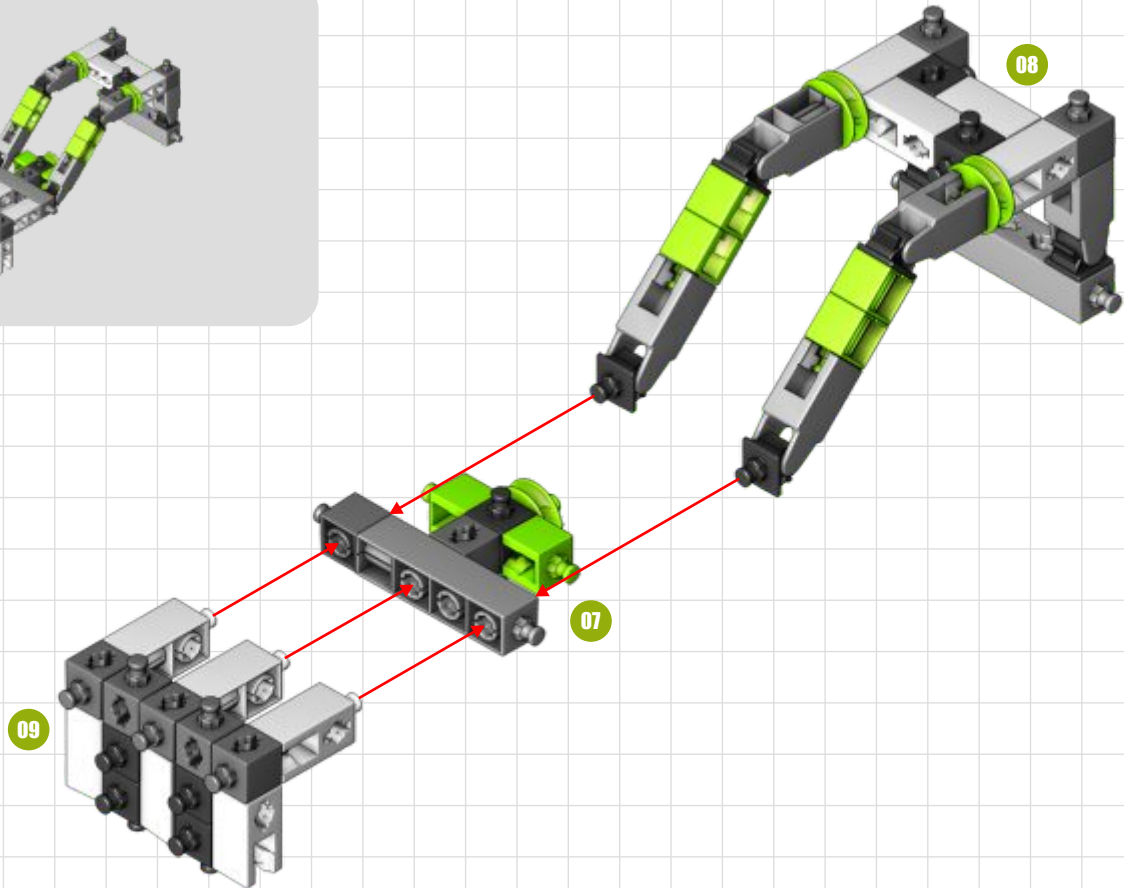




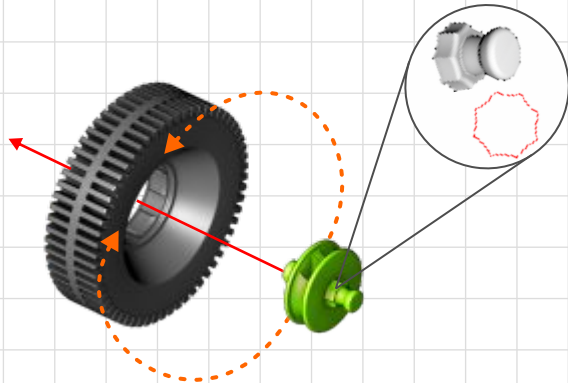
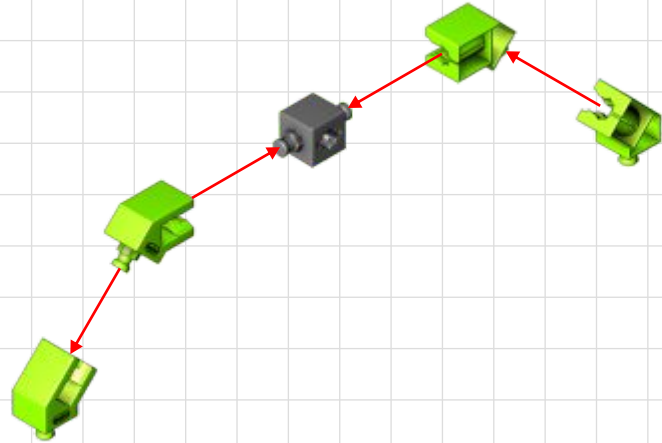
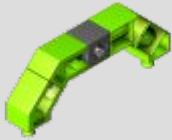
09



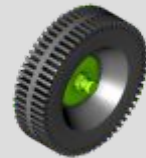
10



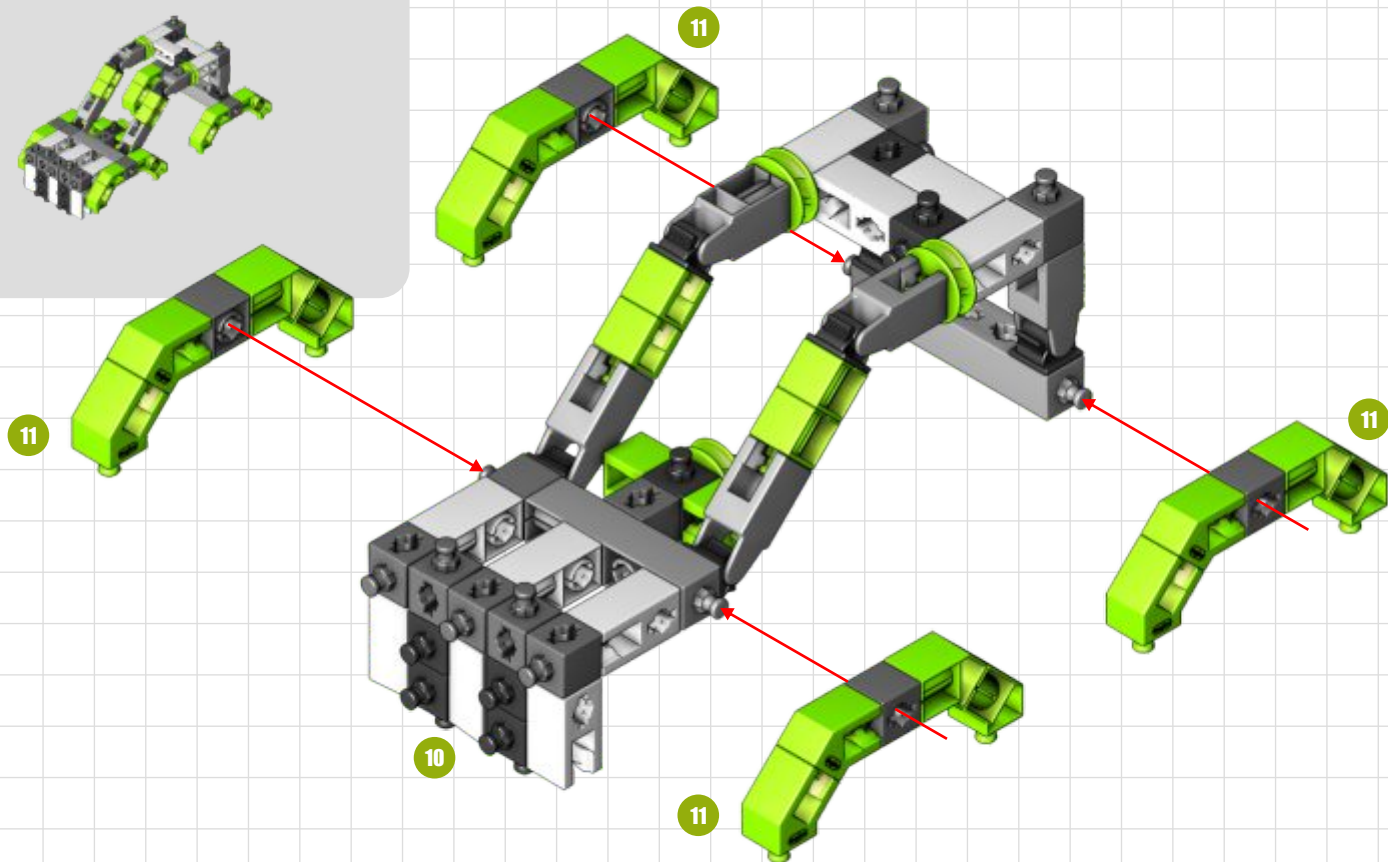
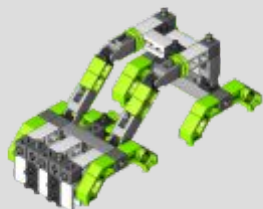
11 x4

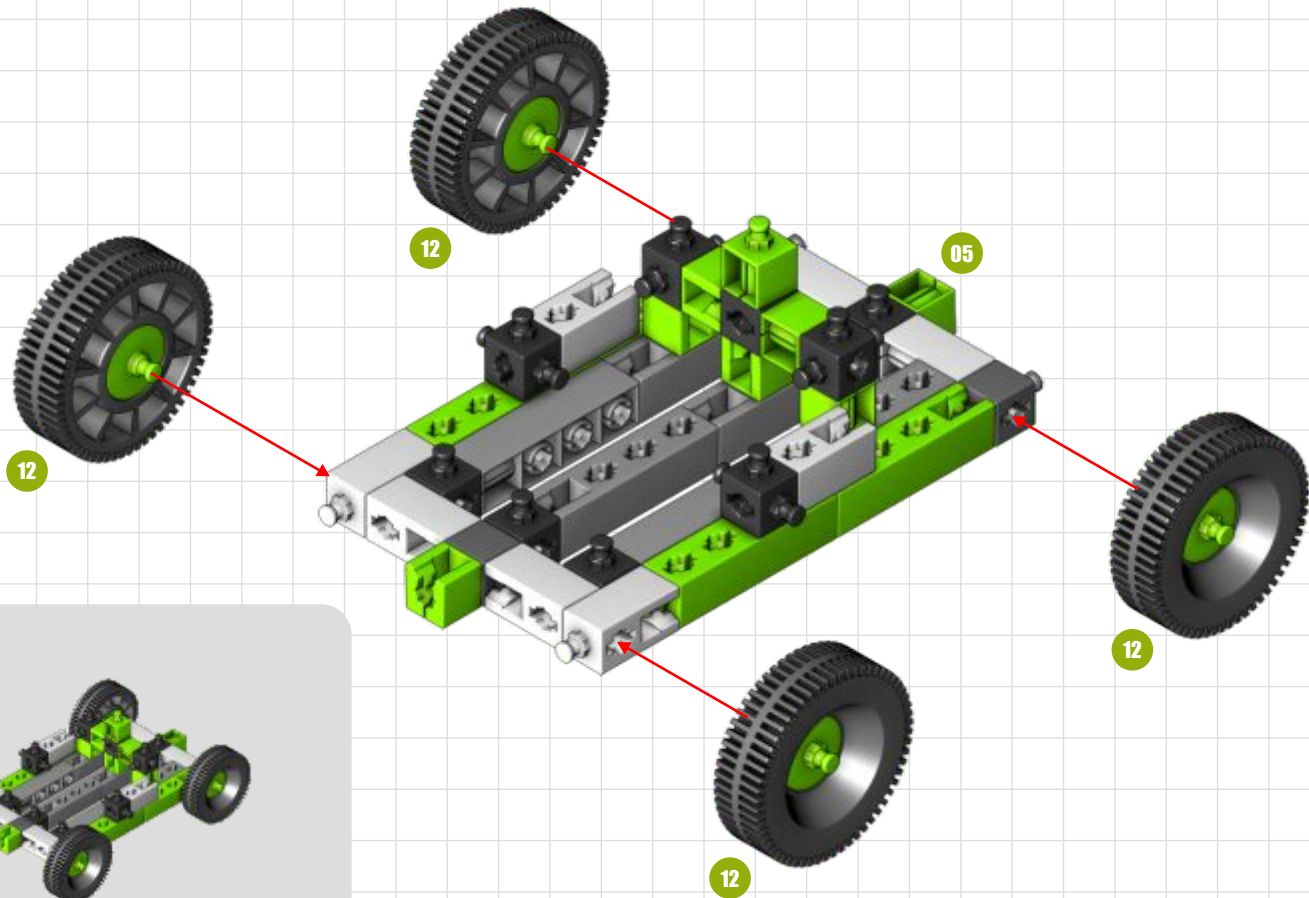


12 x4

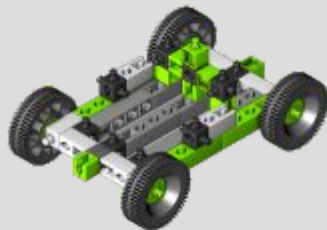


13

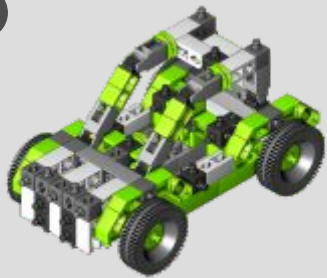




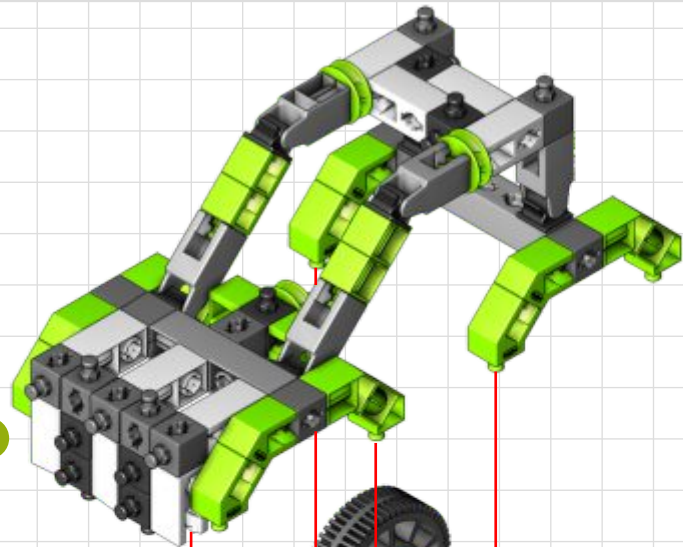
14



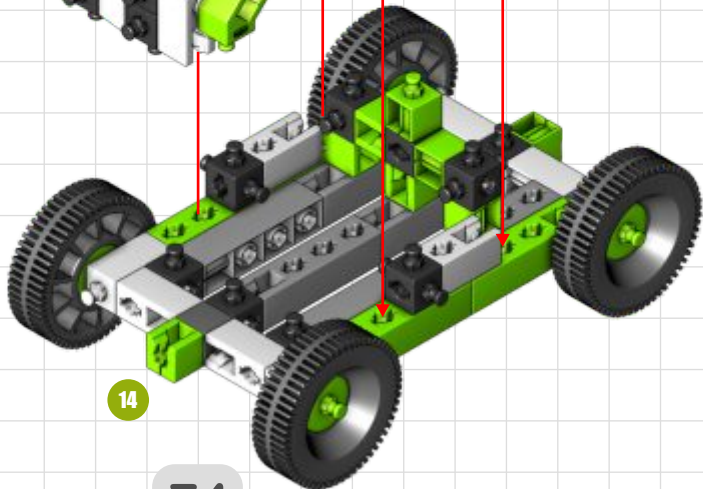
15



13

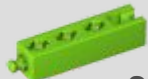


14





x2



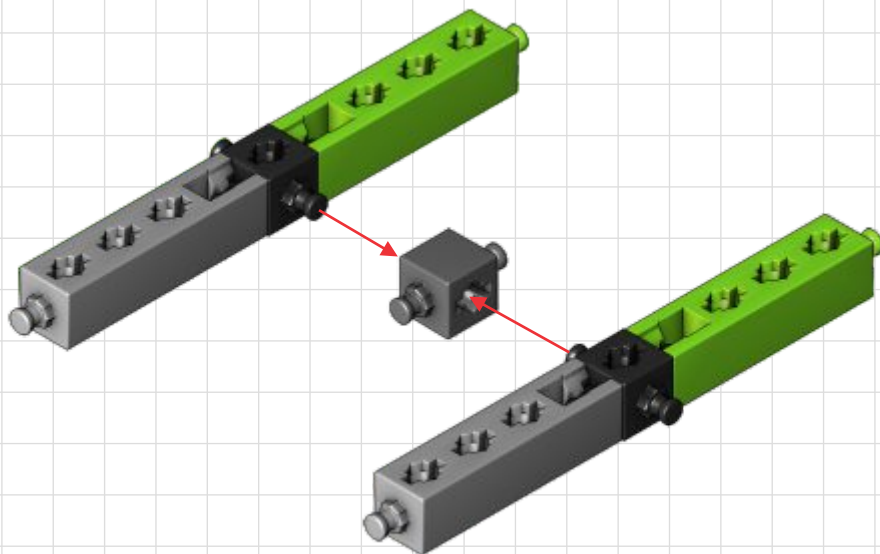
x2



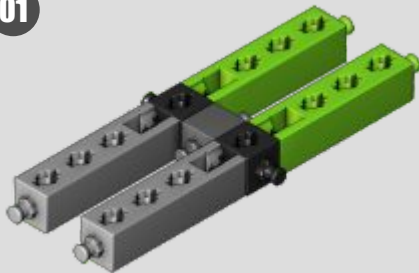
x1



x2



01





x2



x4



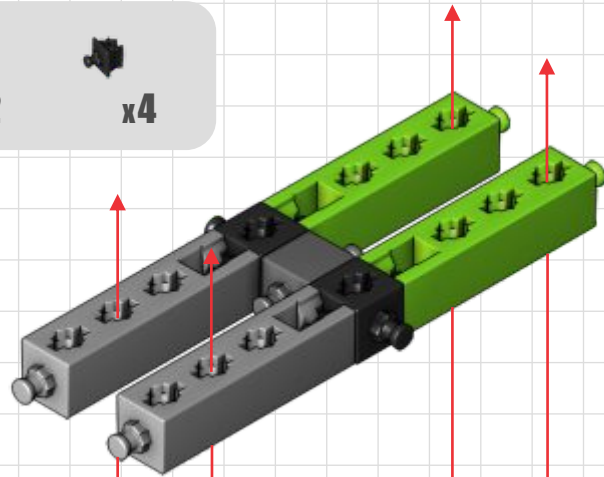
x6



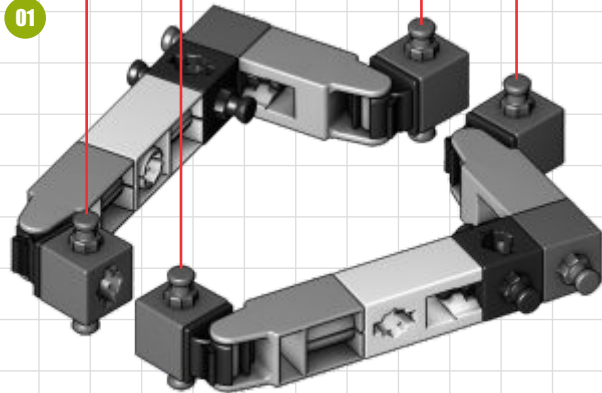
x2



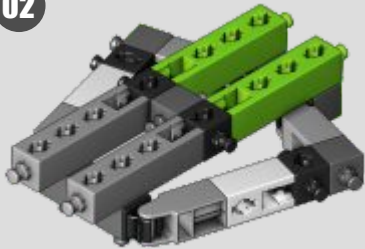
x4



01



02







x3



x3



x1

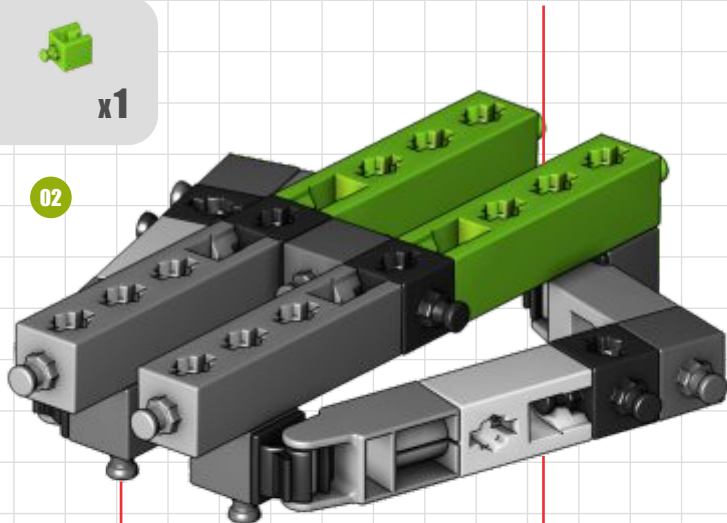


x1

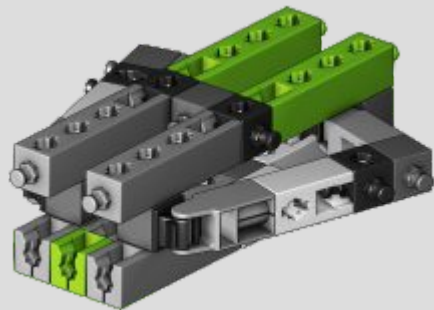


x1

02



03





x5



x2



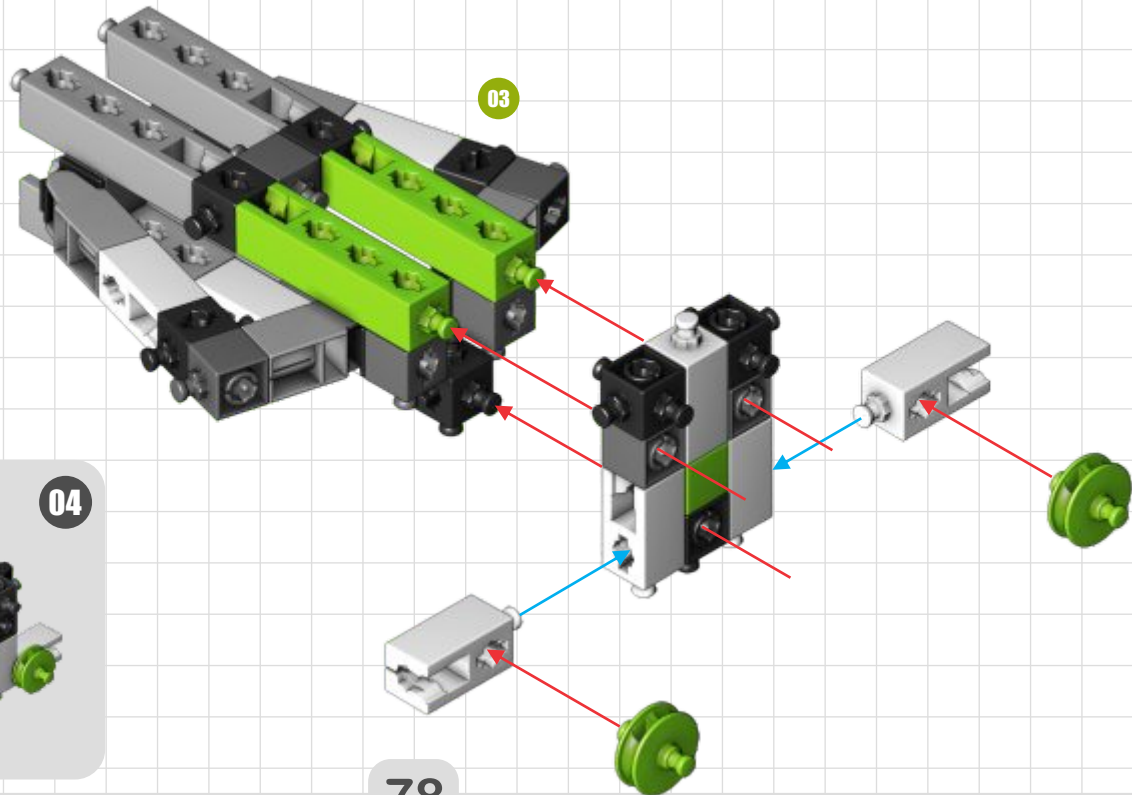
x3



x1

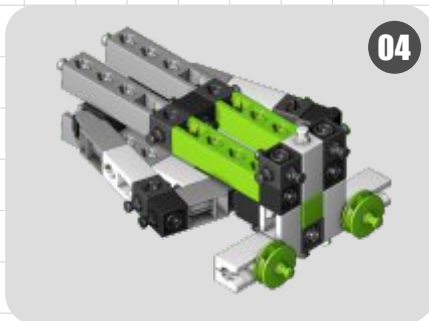


x2



03

04





x2



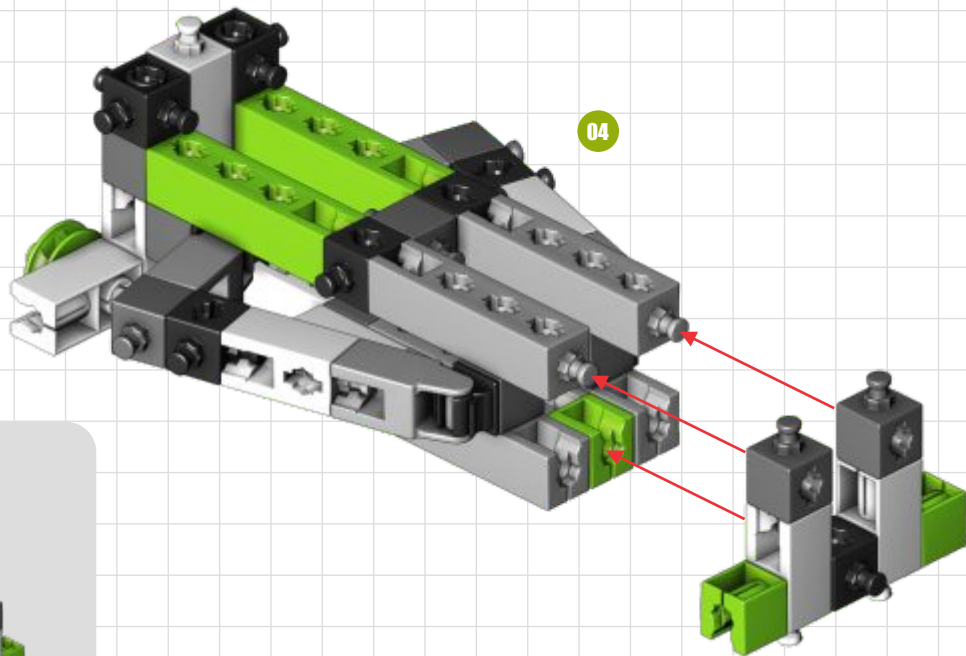
x2



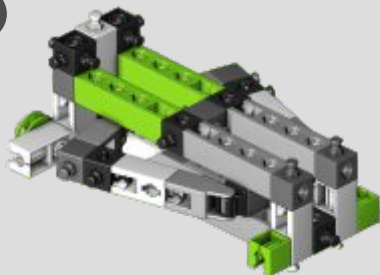
x1

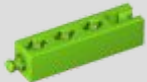


x2



05





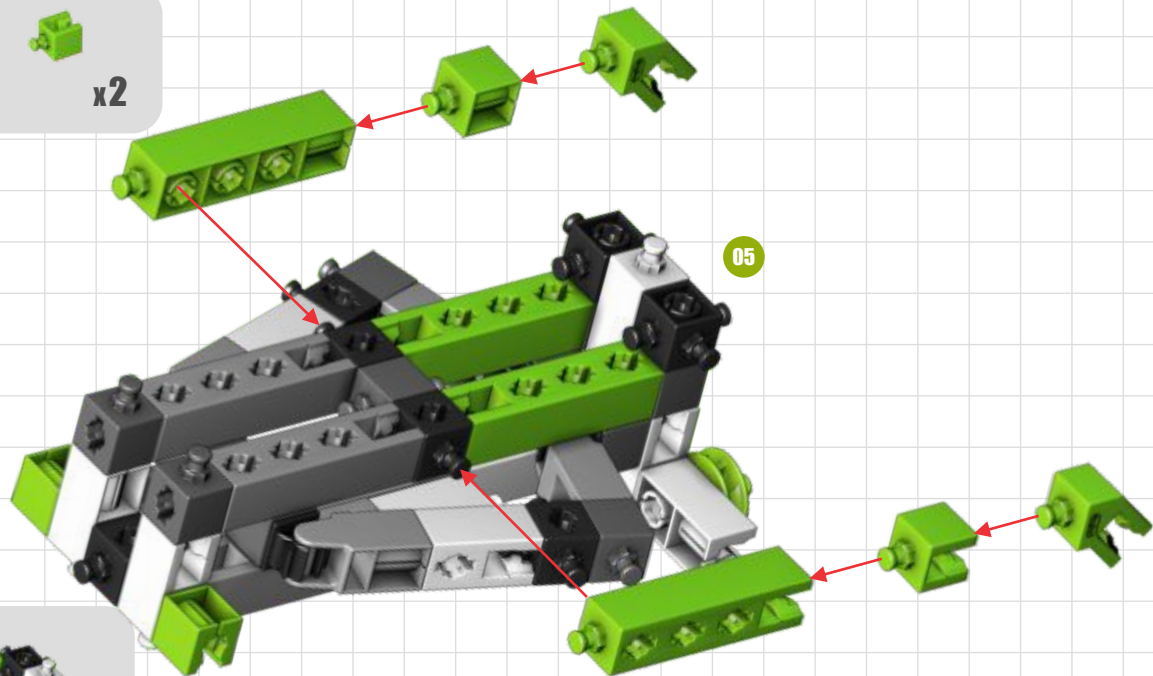
x2



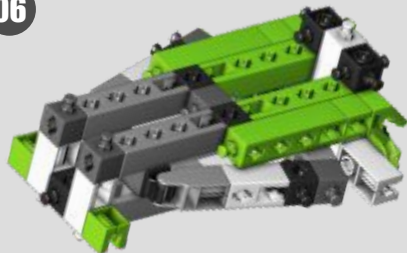
x2



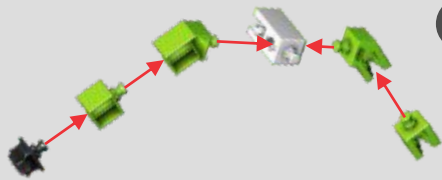
x2



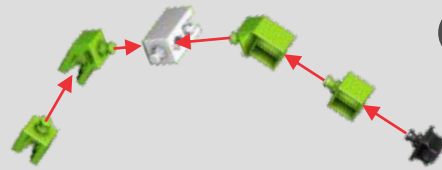
06



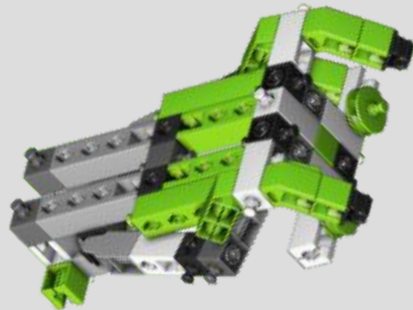
07



08



09



x2



x4



x4



x2

06

07

08



x4



x5



x5



x2



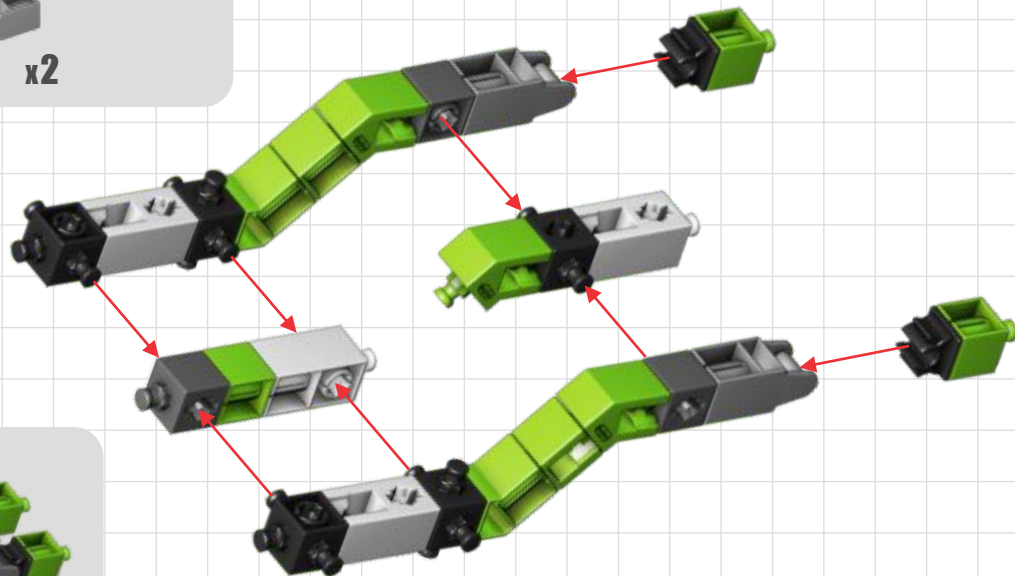
x5



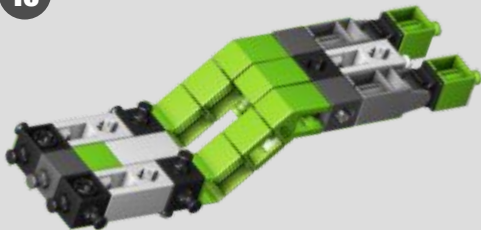
x3



x2



10





x4

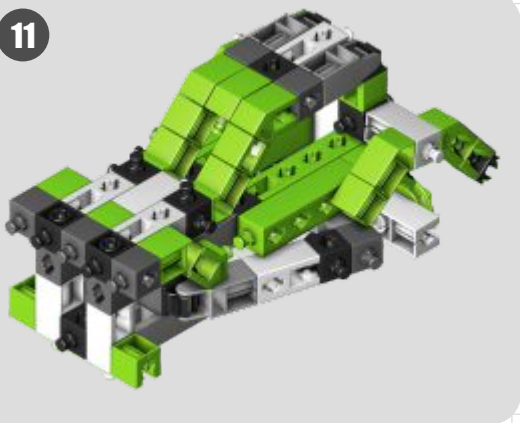
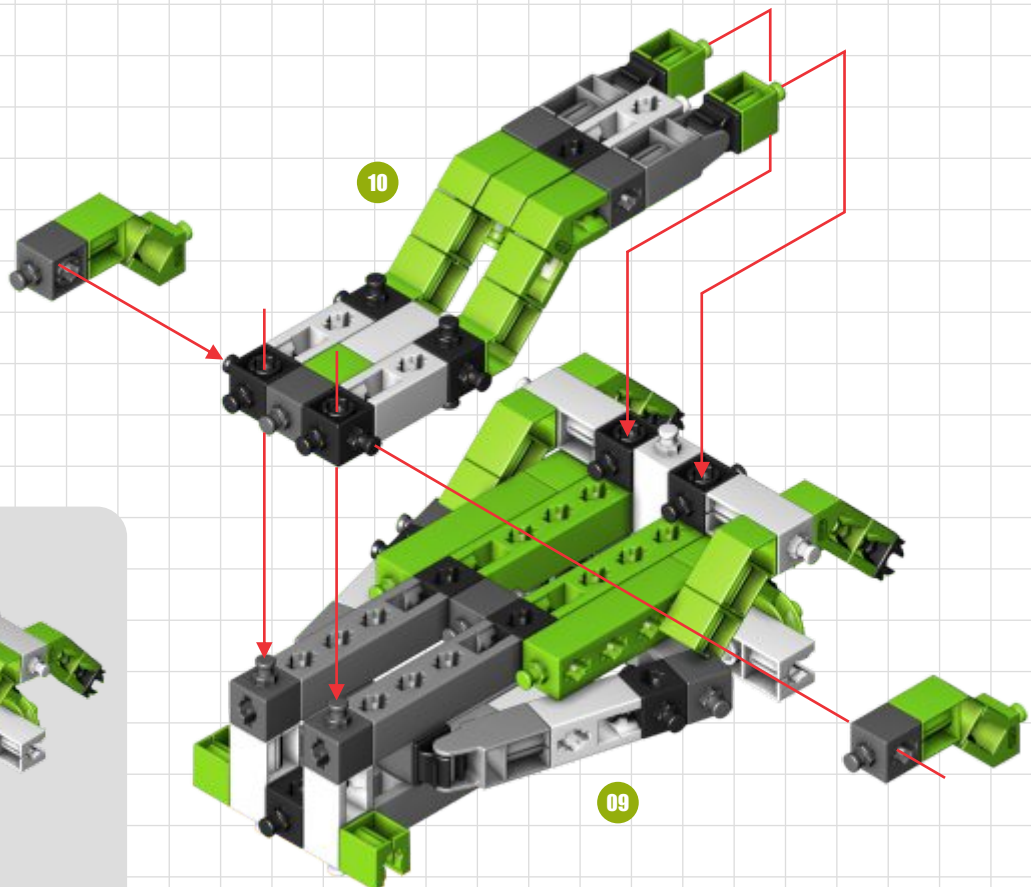


x2

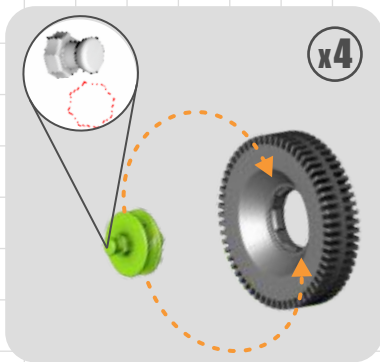
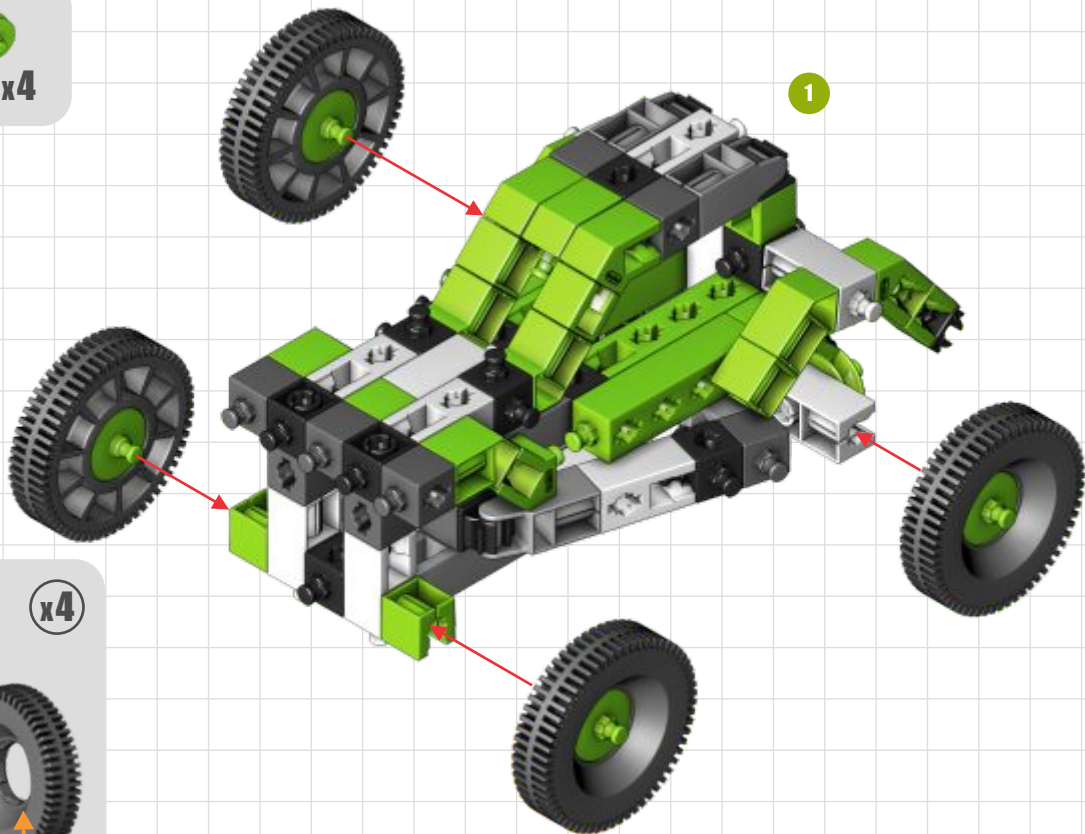
10

11

09











x1



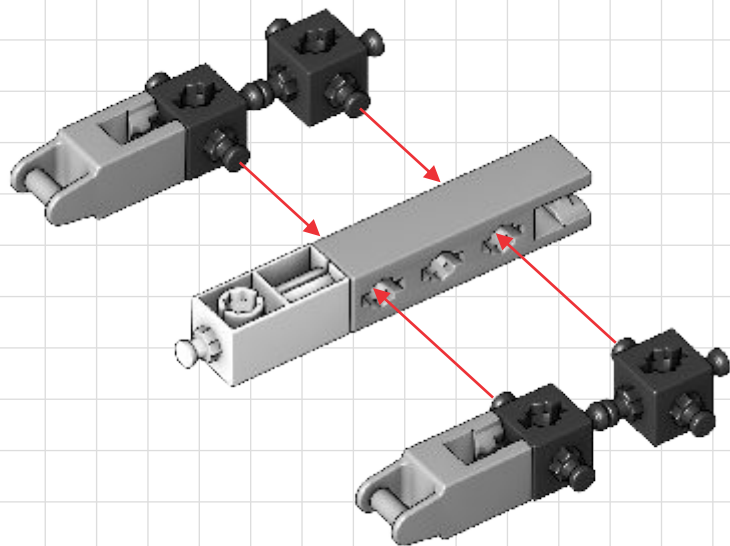
x2



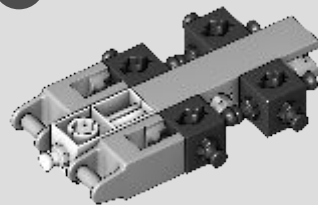
x1



x4



01

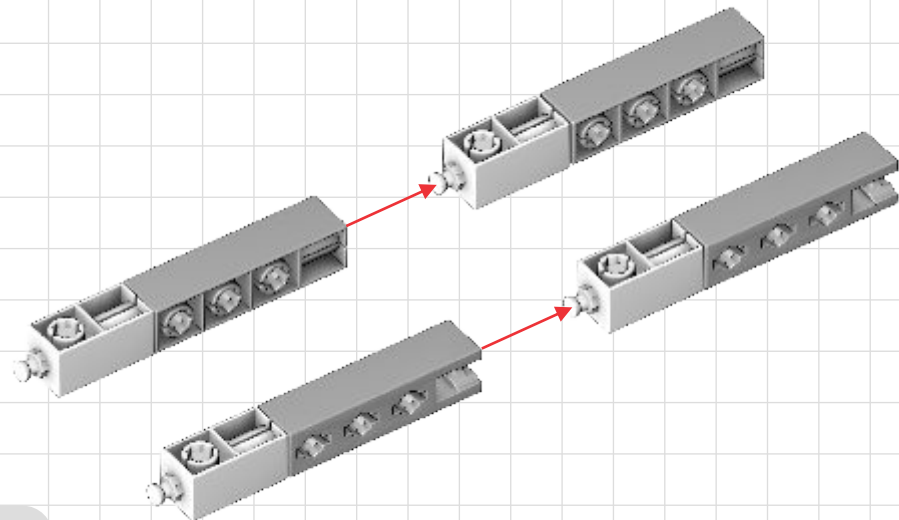




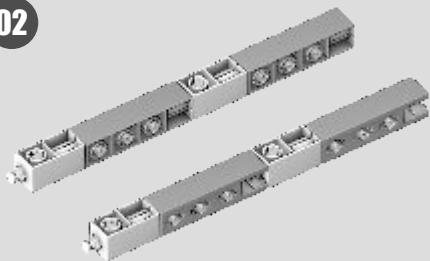
x4



x4



02

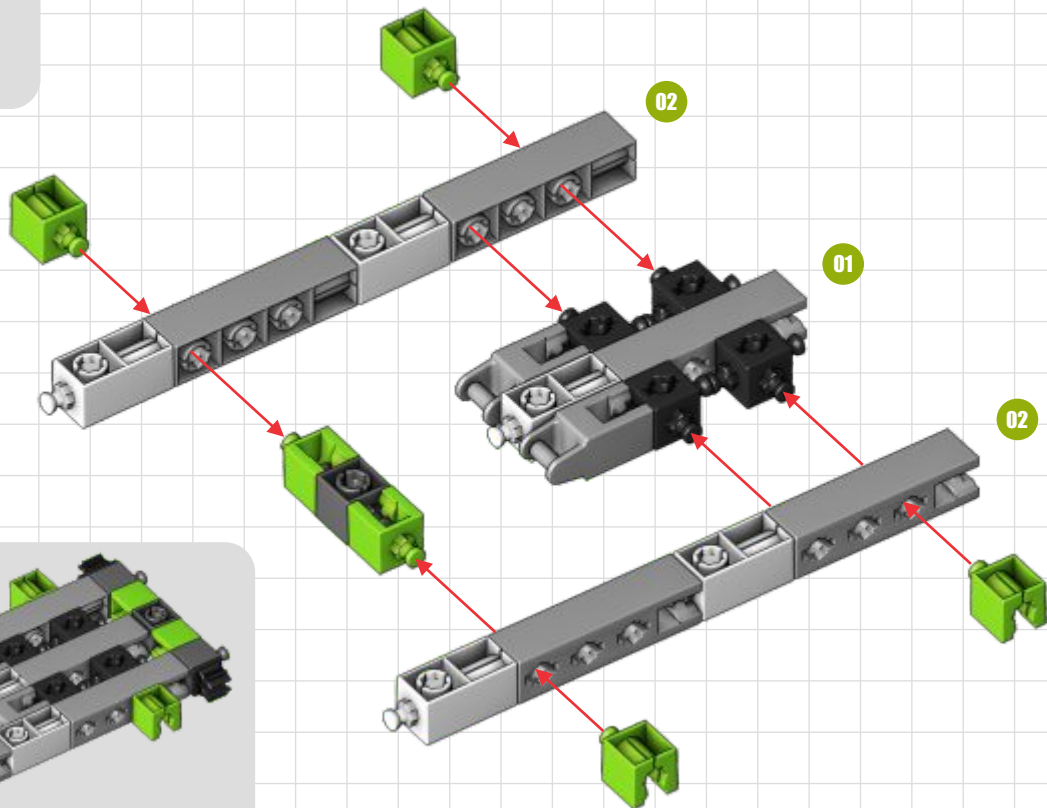




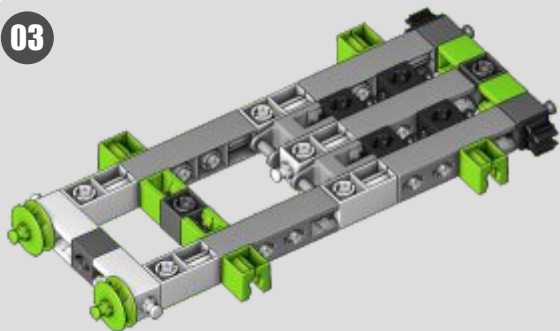
x1



x6



03





x2



x4



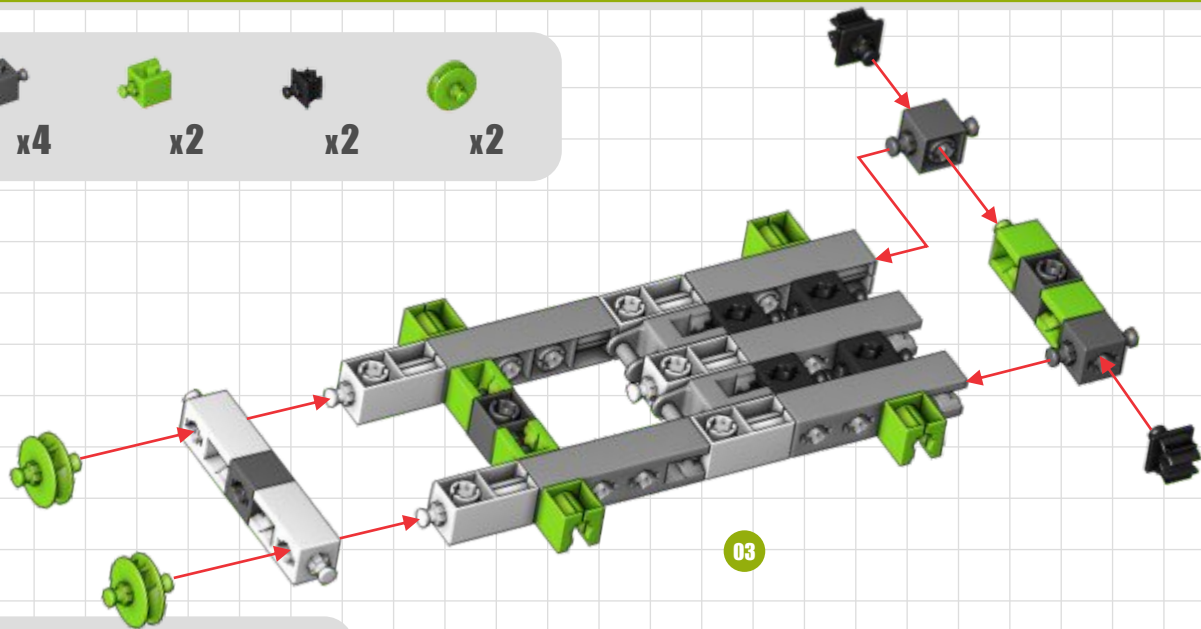
x2



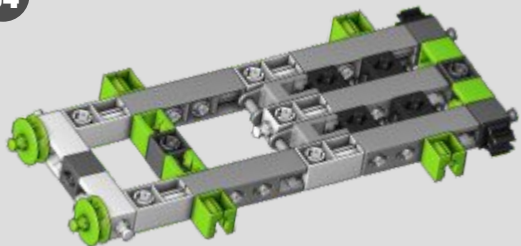
x2



x2



04





x2



x2



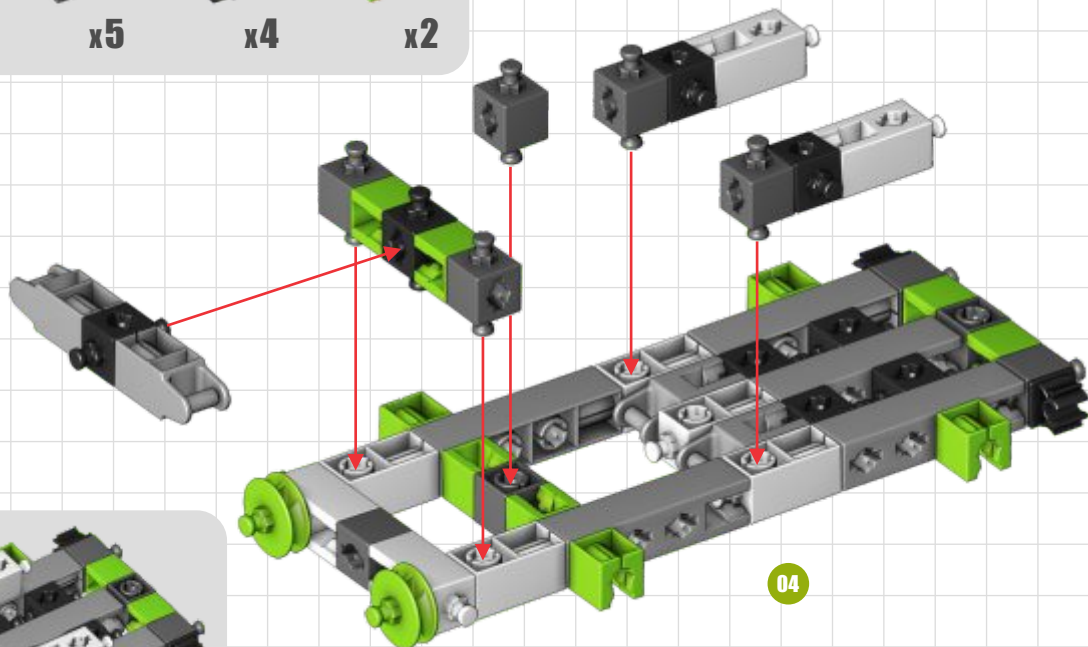
x5



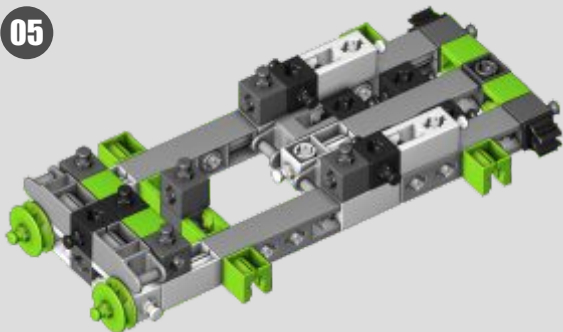
x4

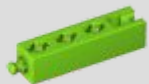


x2



05





x4



x1



x2



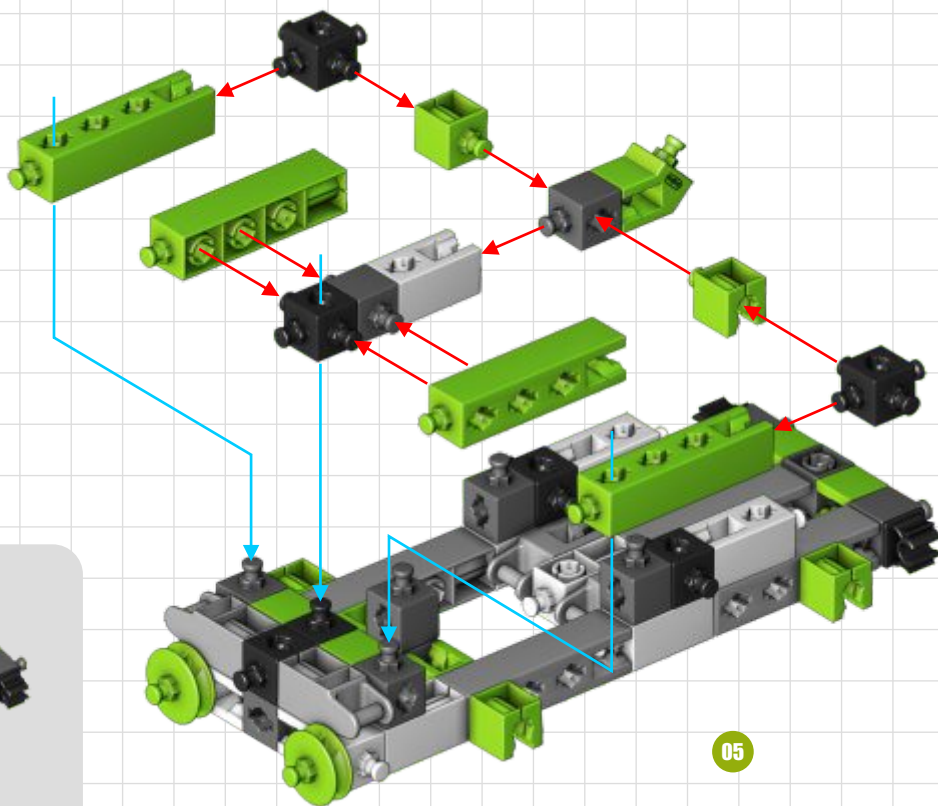
x1



x2

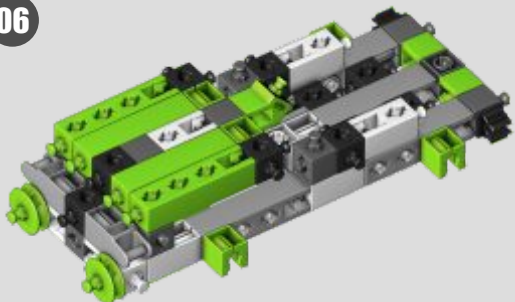


x3



05

06





x1



x2



x2

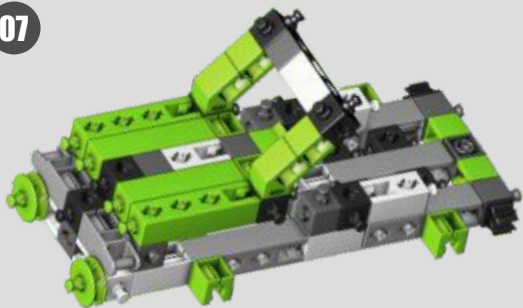


x2

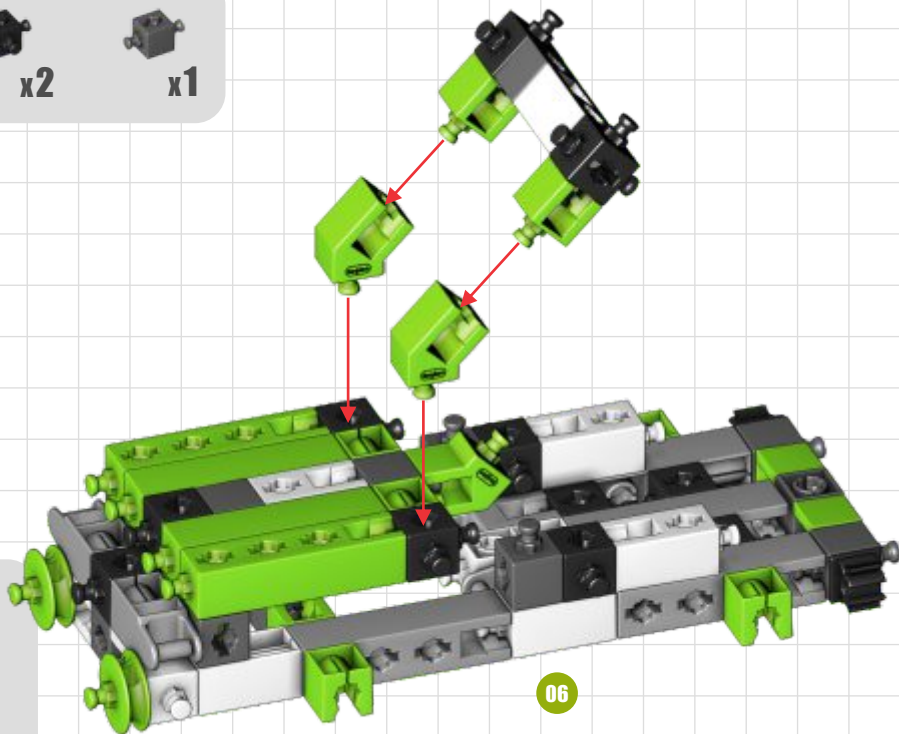


x1

07



06





x3



x2



x2

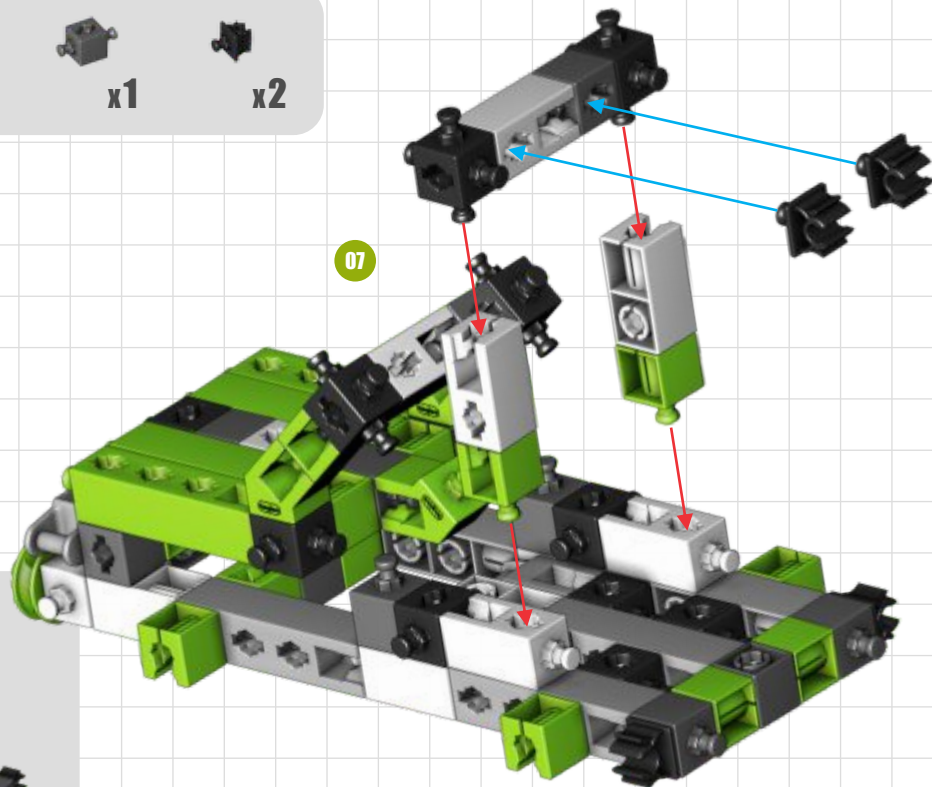


x1

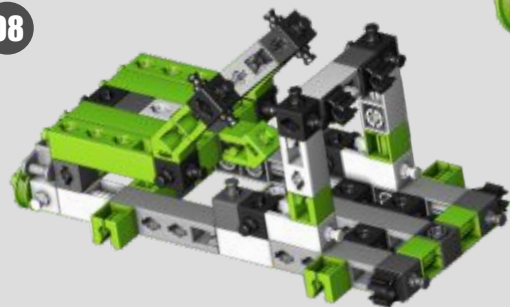


x2

07



08







x2



x2



x2



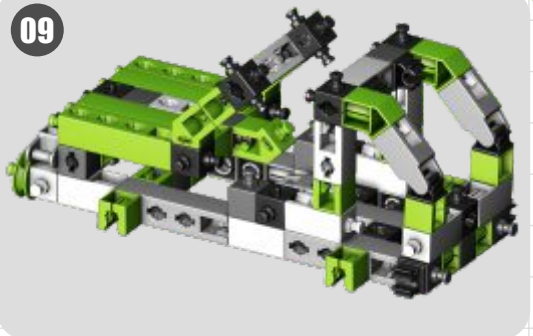
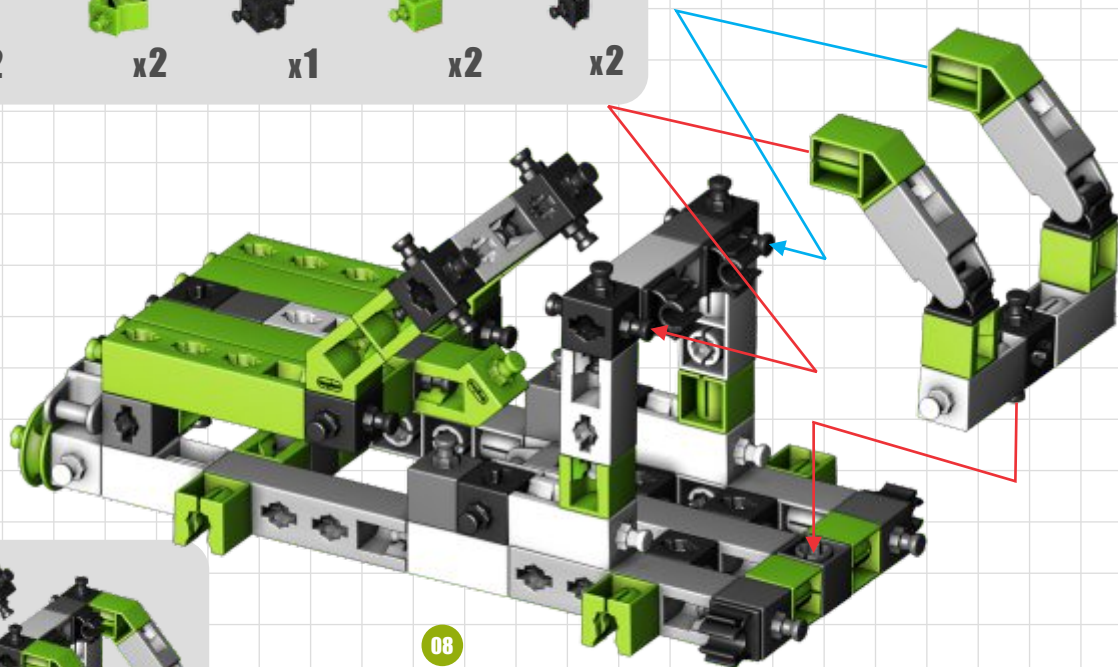
x1



x2



x2





x1



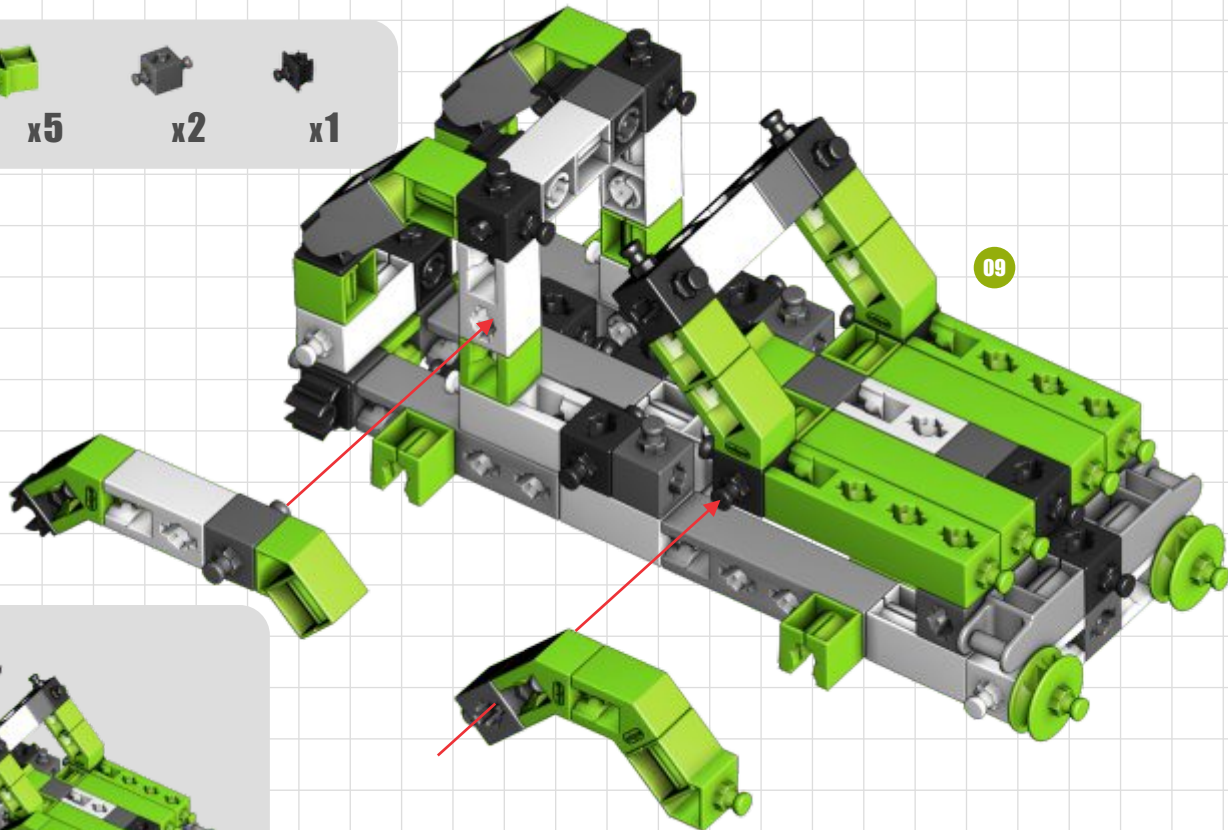
x5



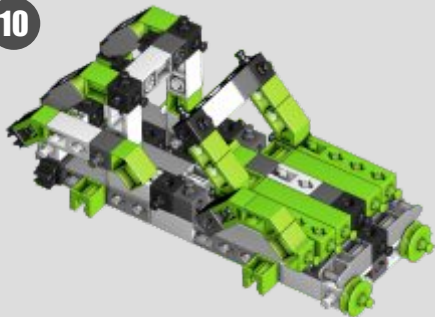
x2



x1



10





x1



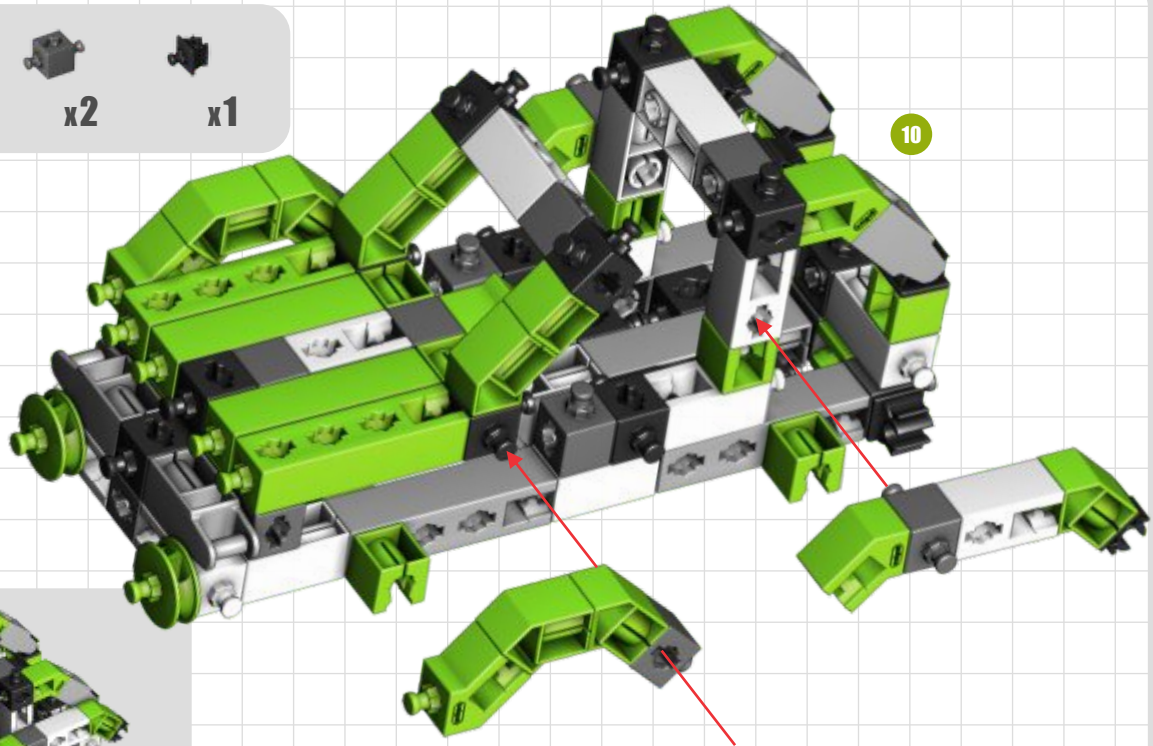
x5



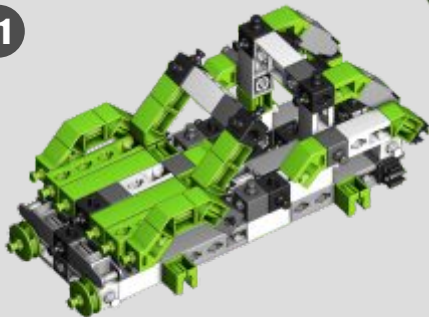
x2



x1



11



tire  
M



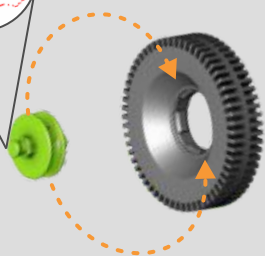
x4



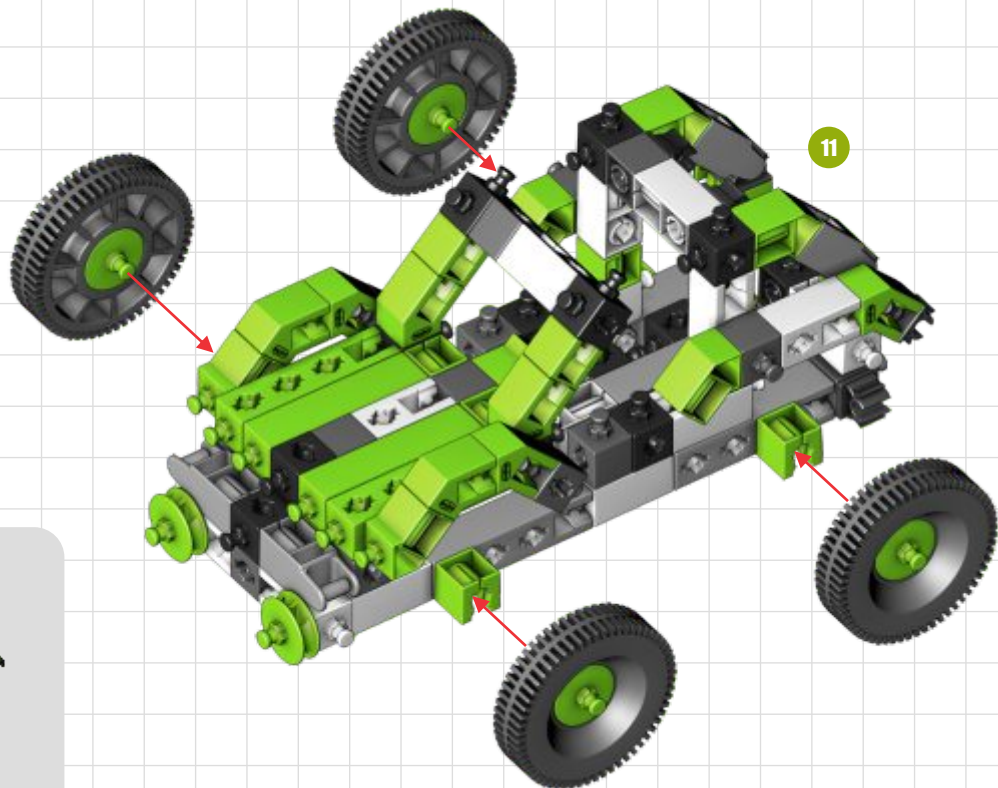
x4

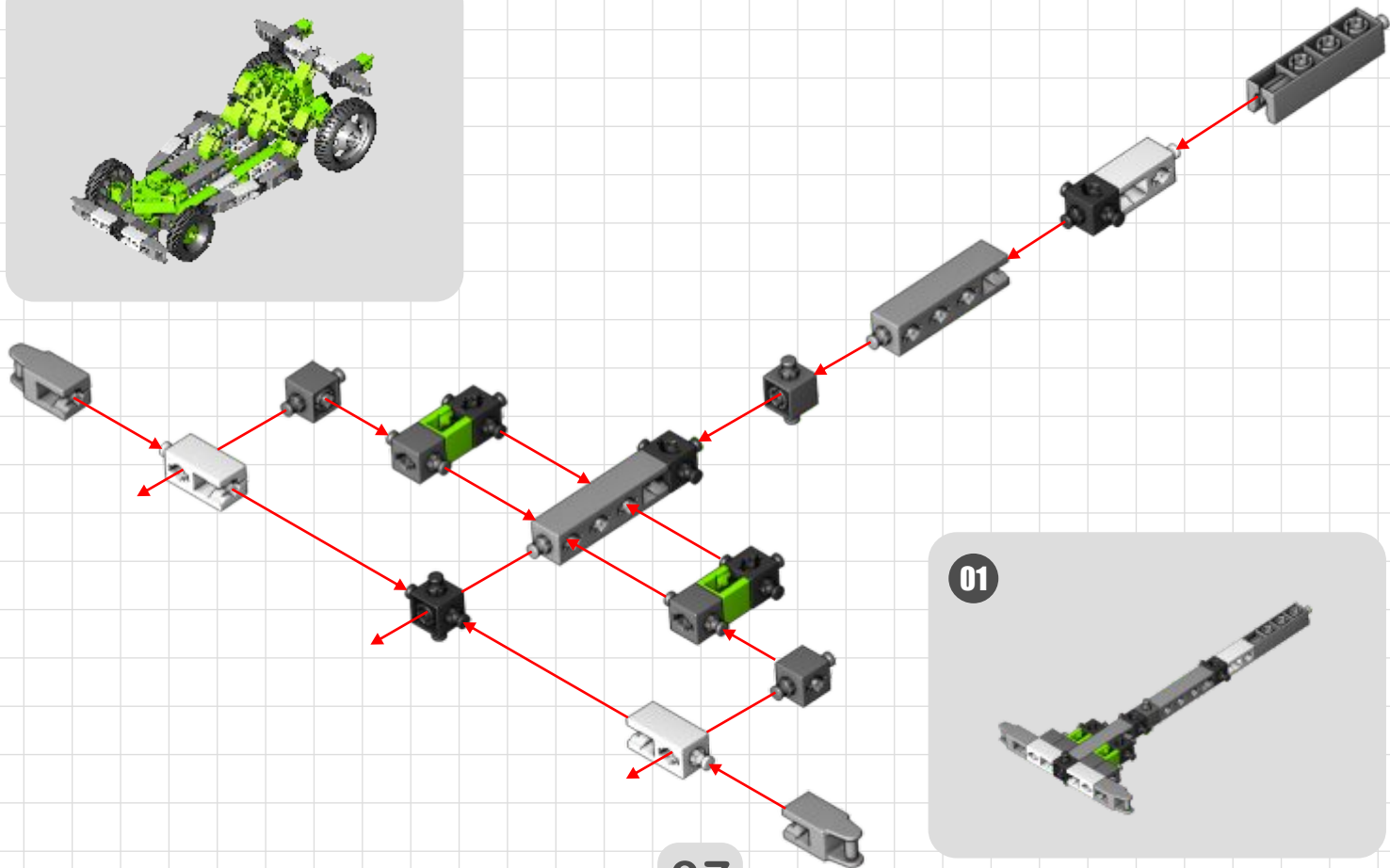
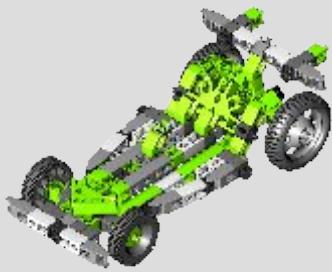


x4



12

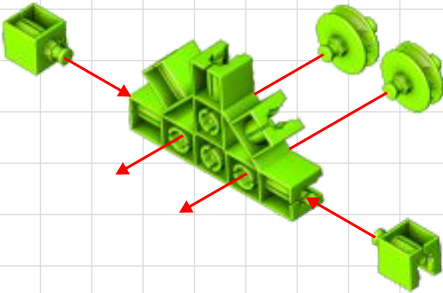
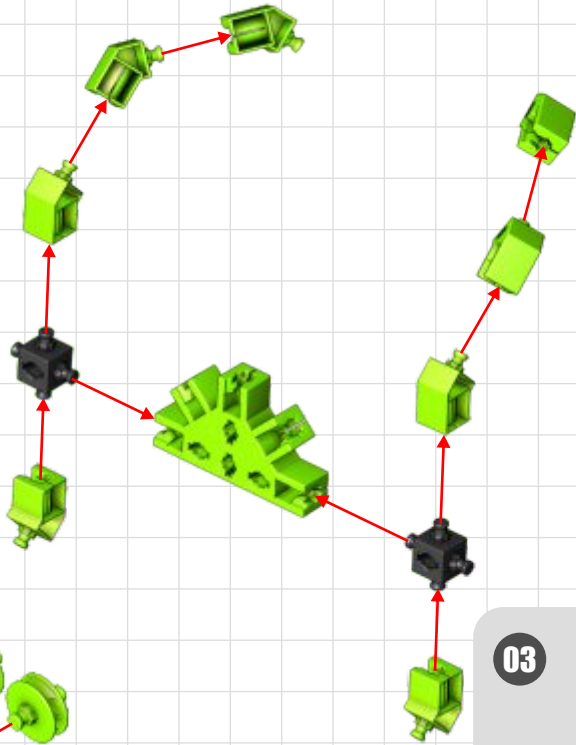




01



02

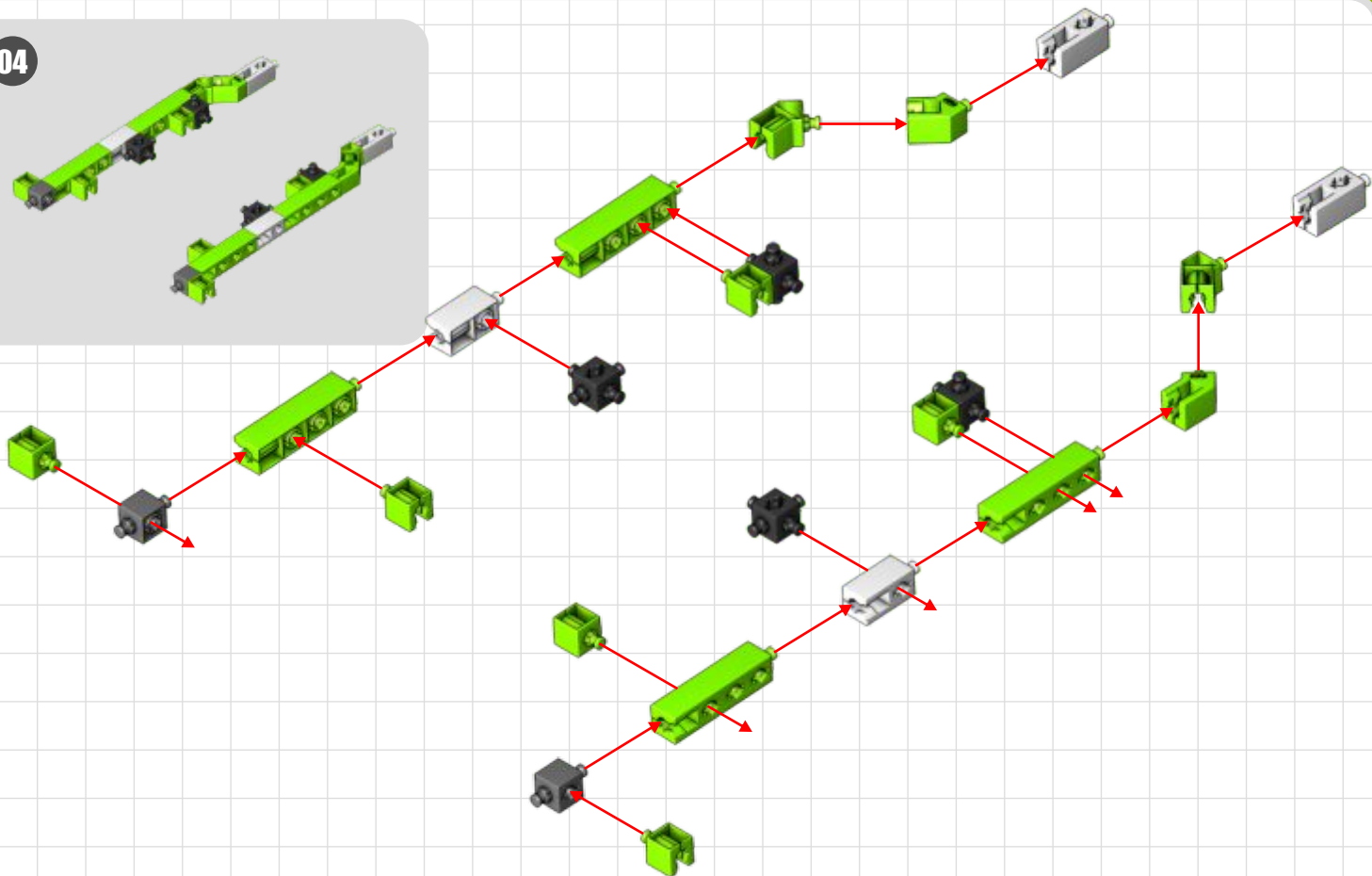
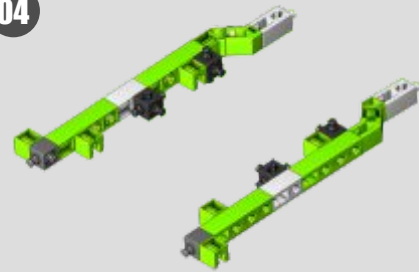


03

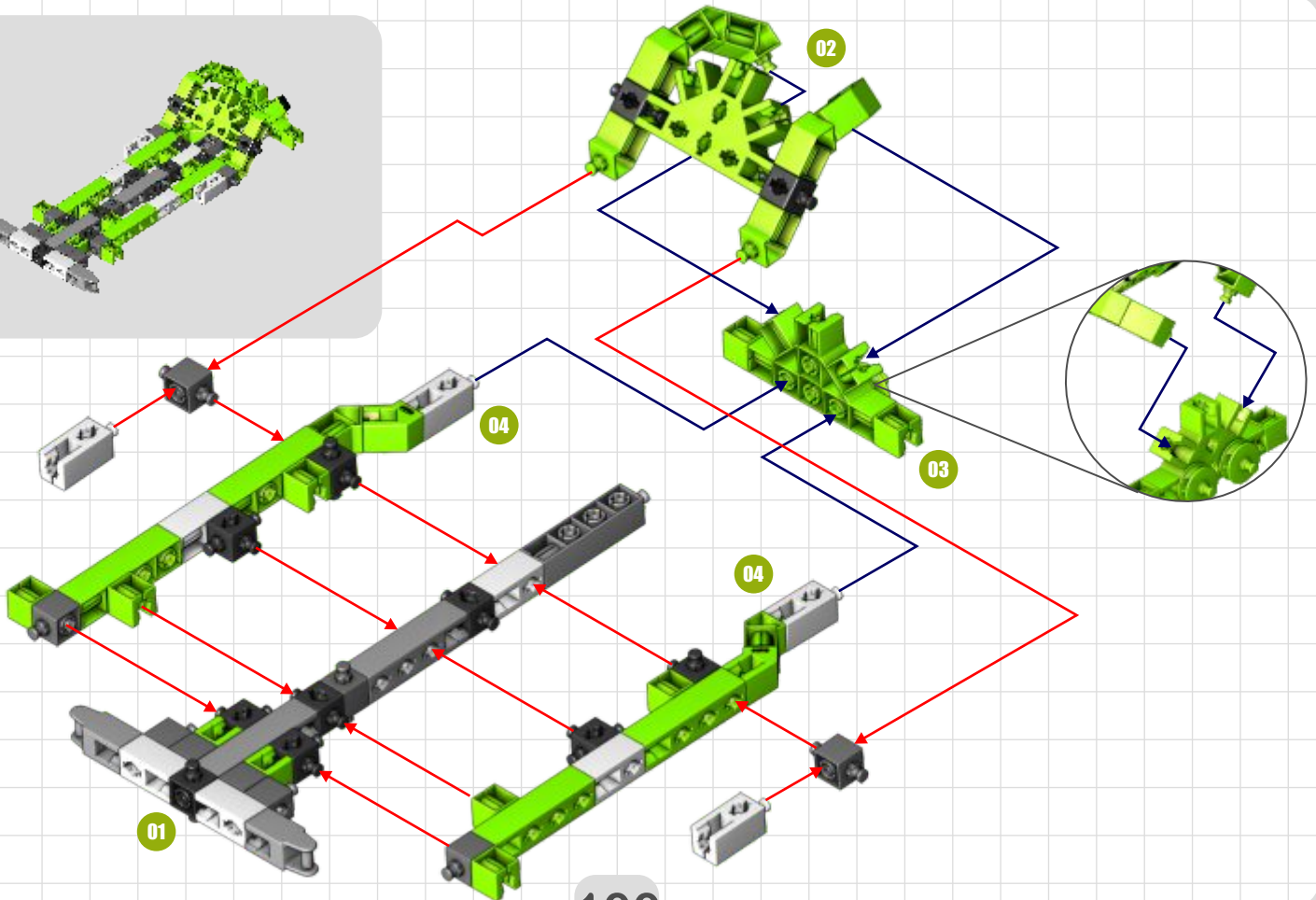




04



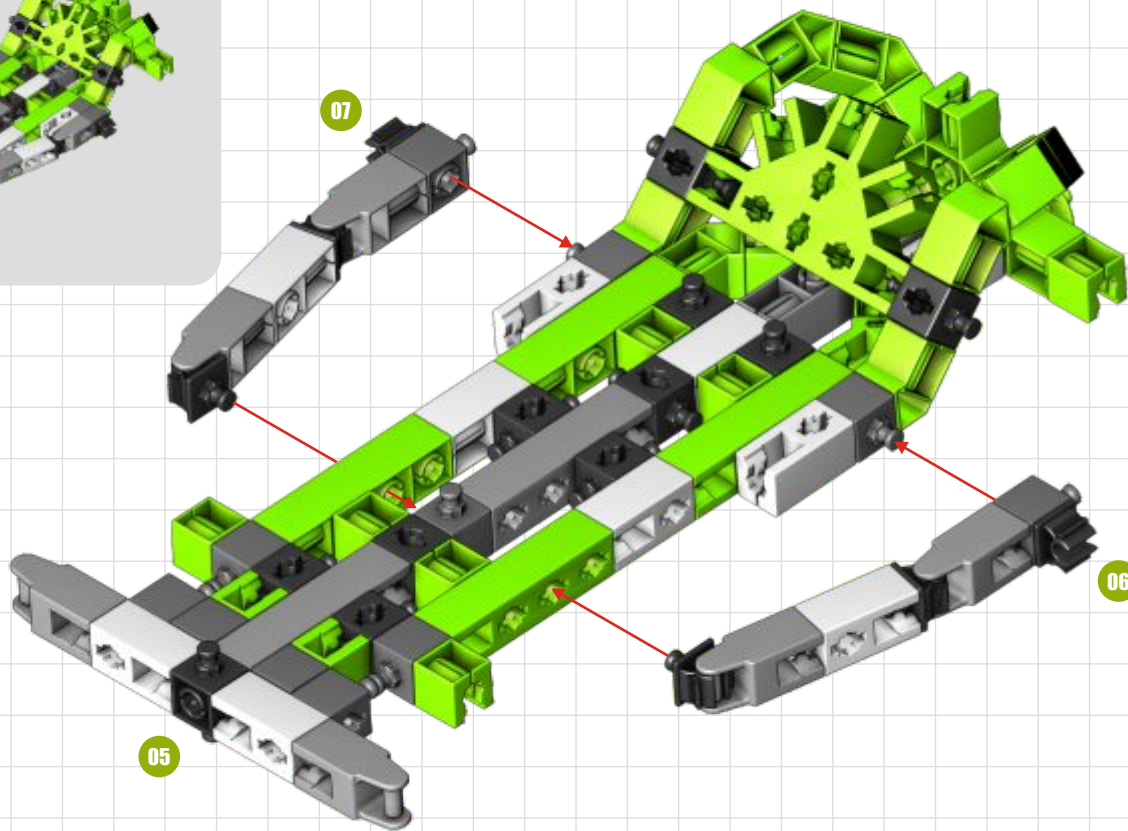
05

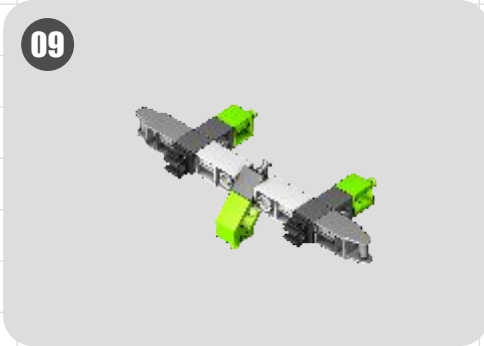
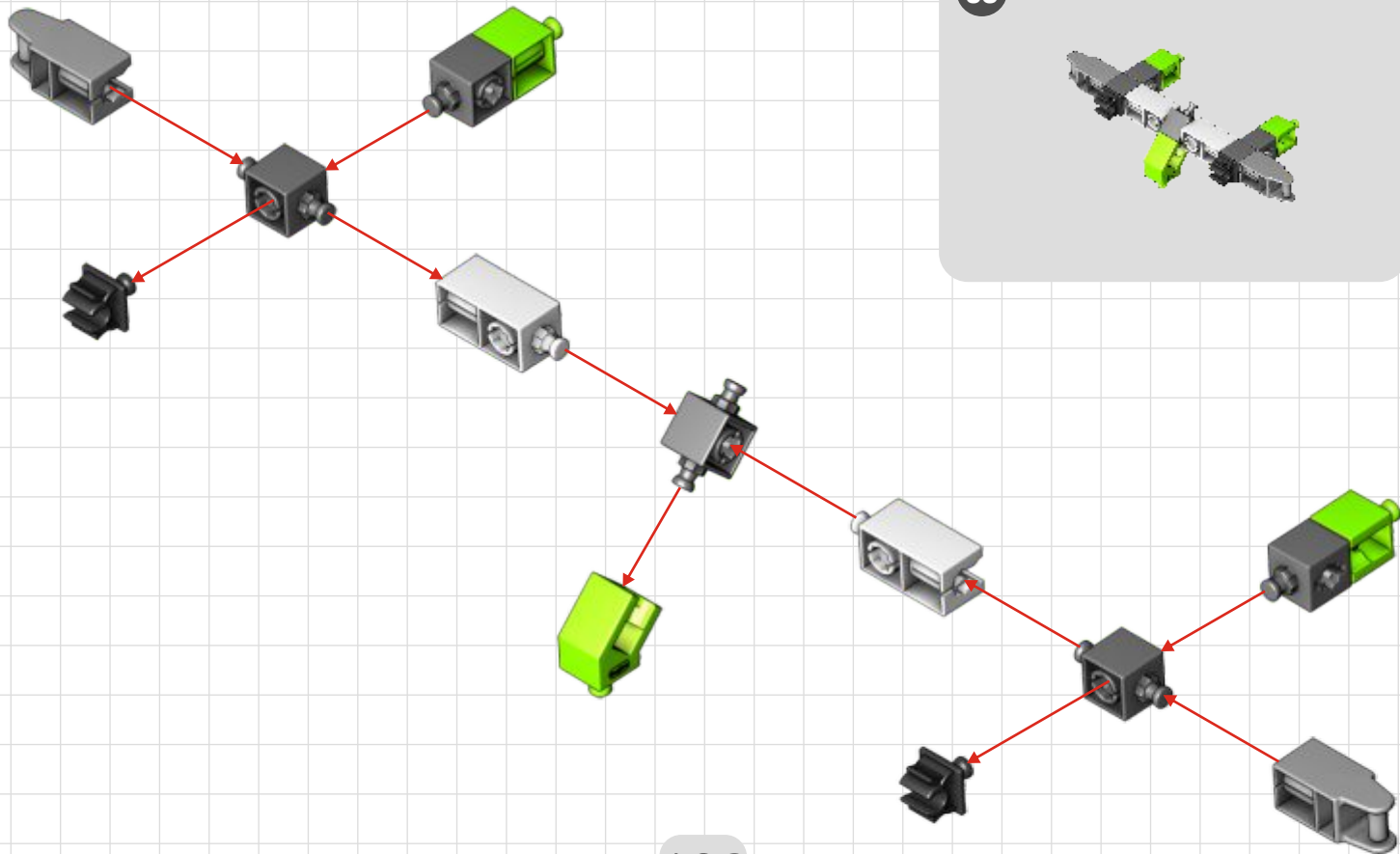






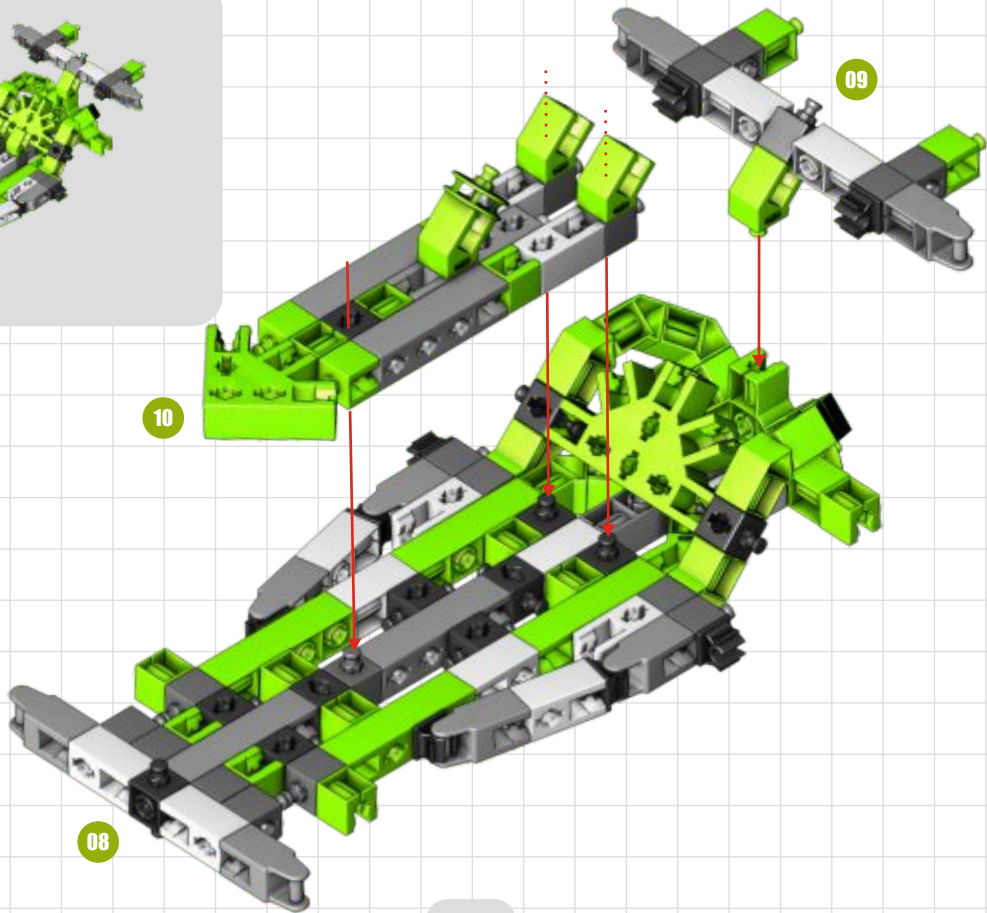
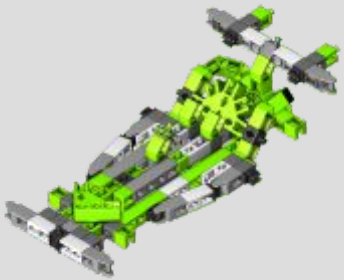
08







11



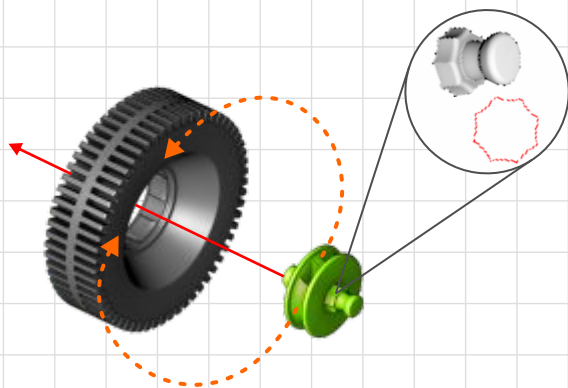
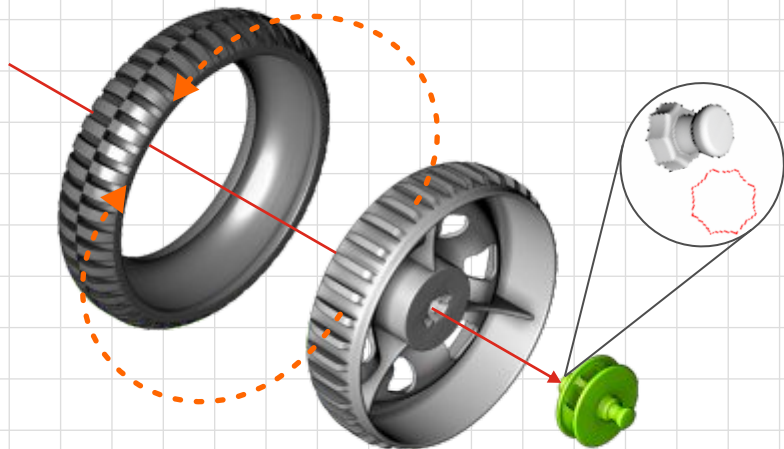
08

10

09

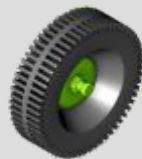
12

x2

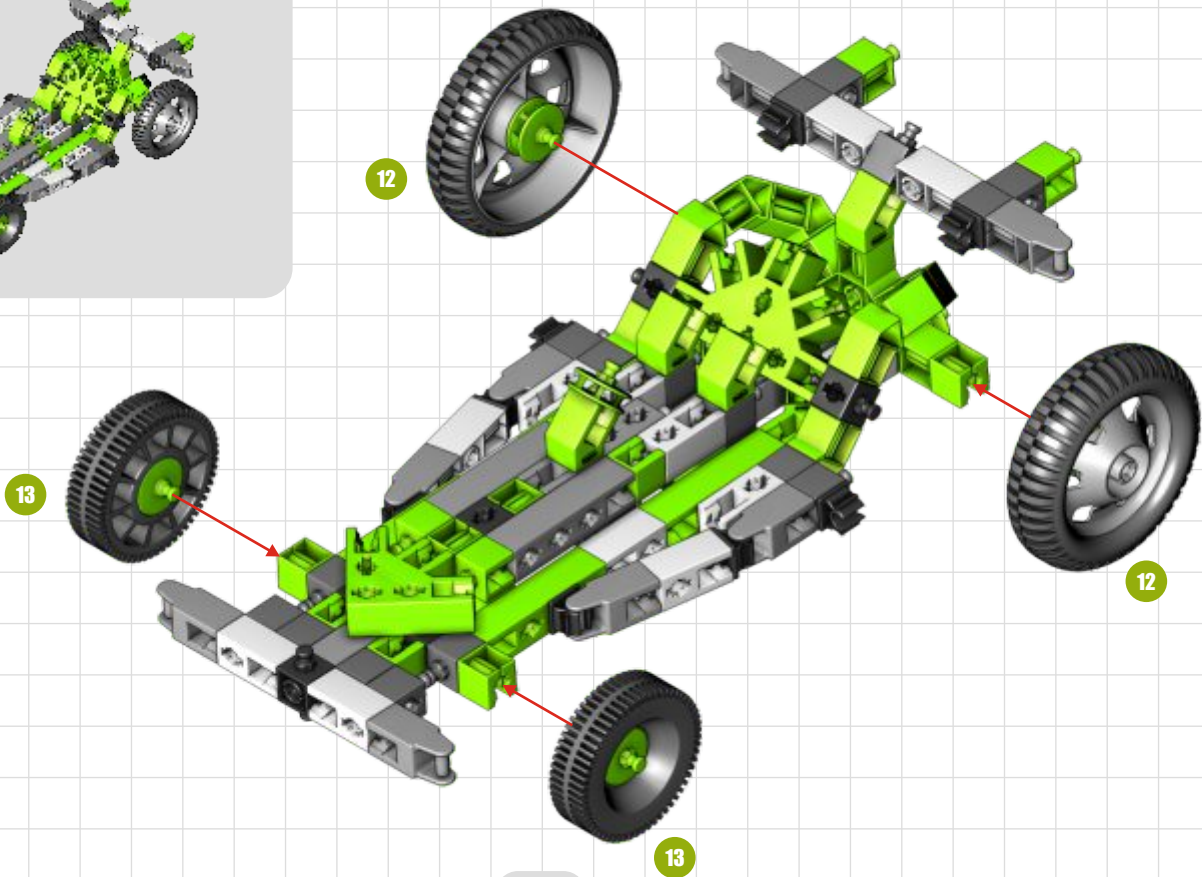
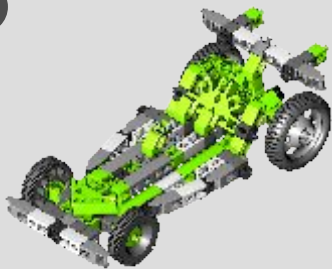


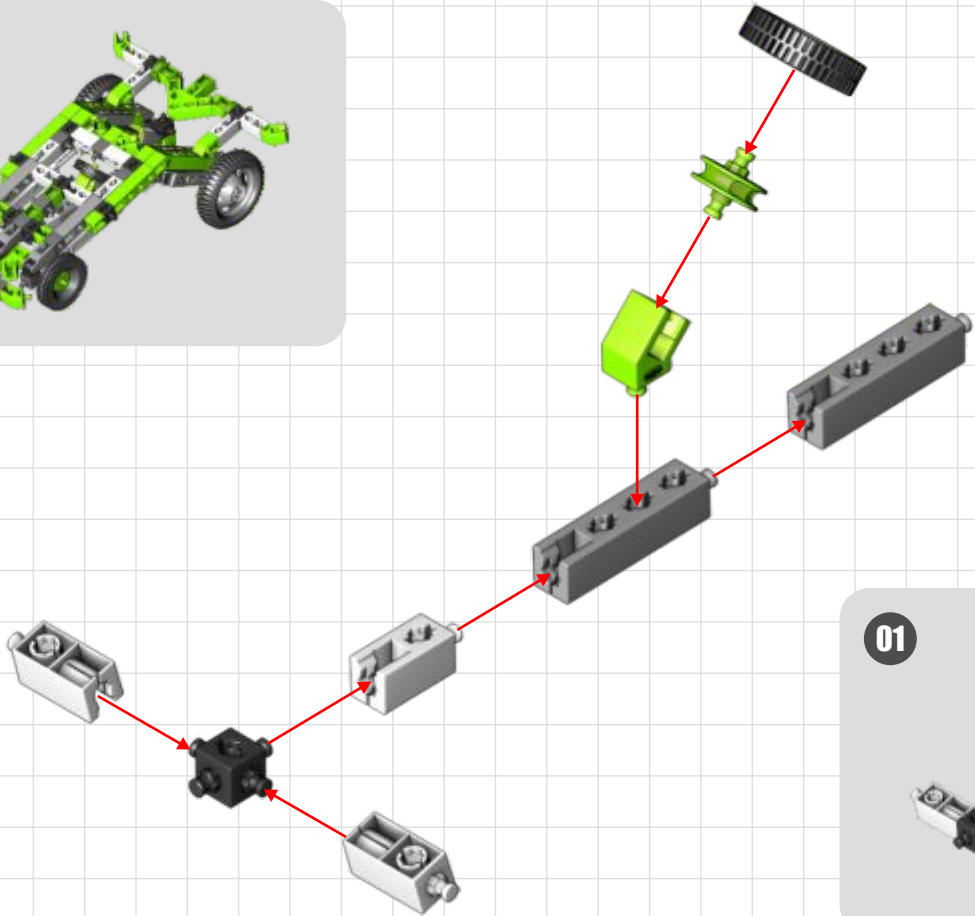
13

x2



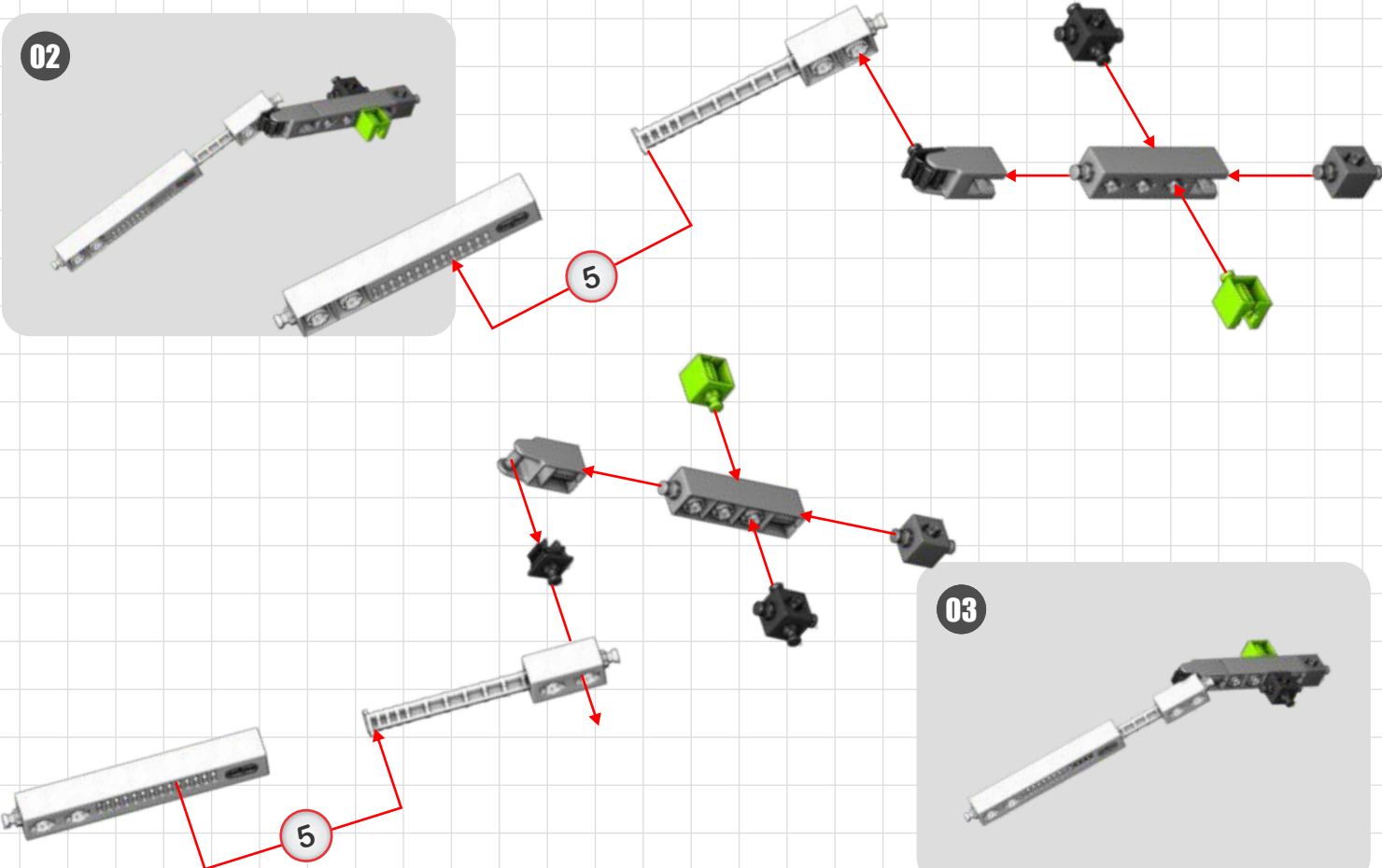
14





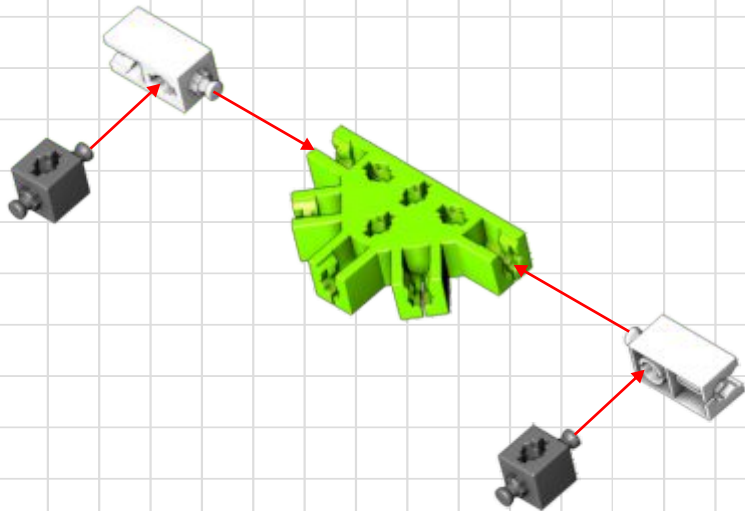
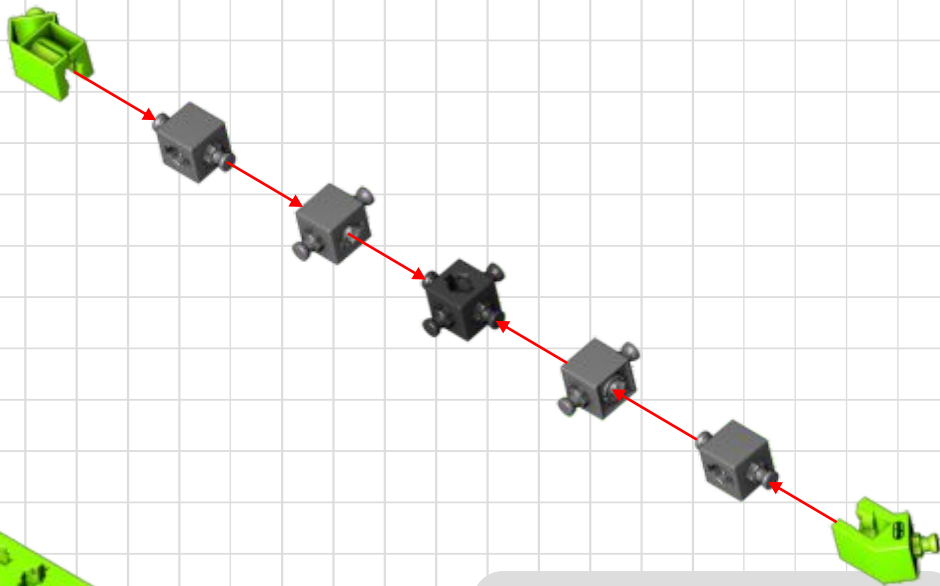
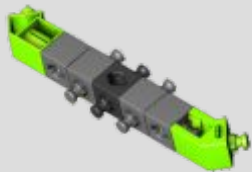


02

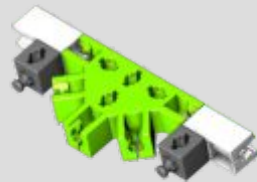


03

04

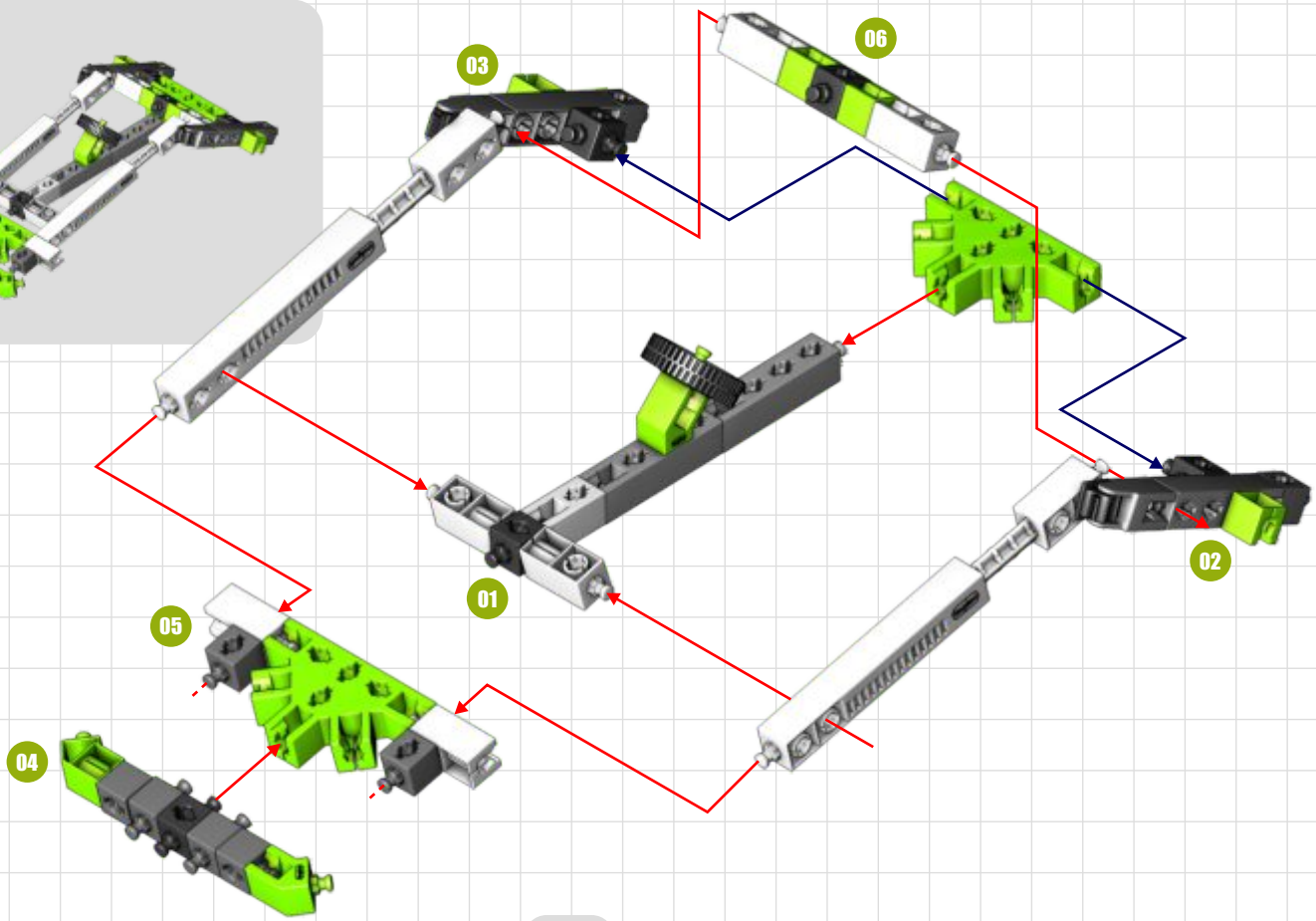


05



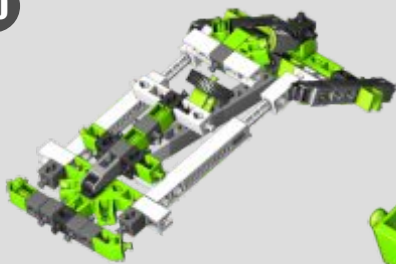


08





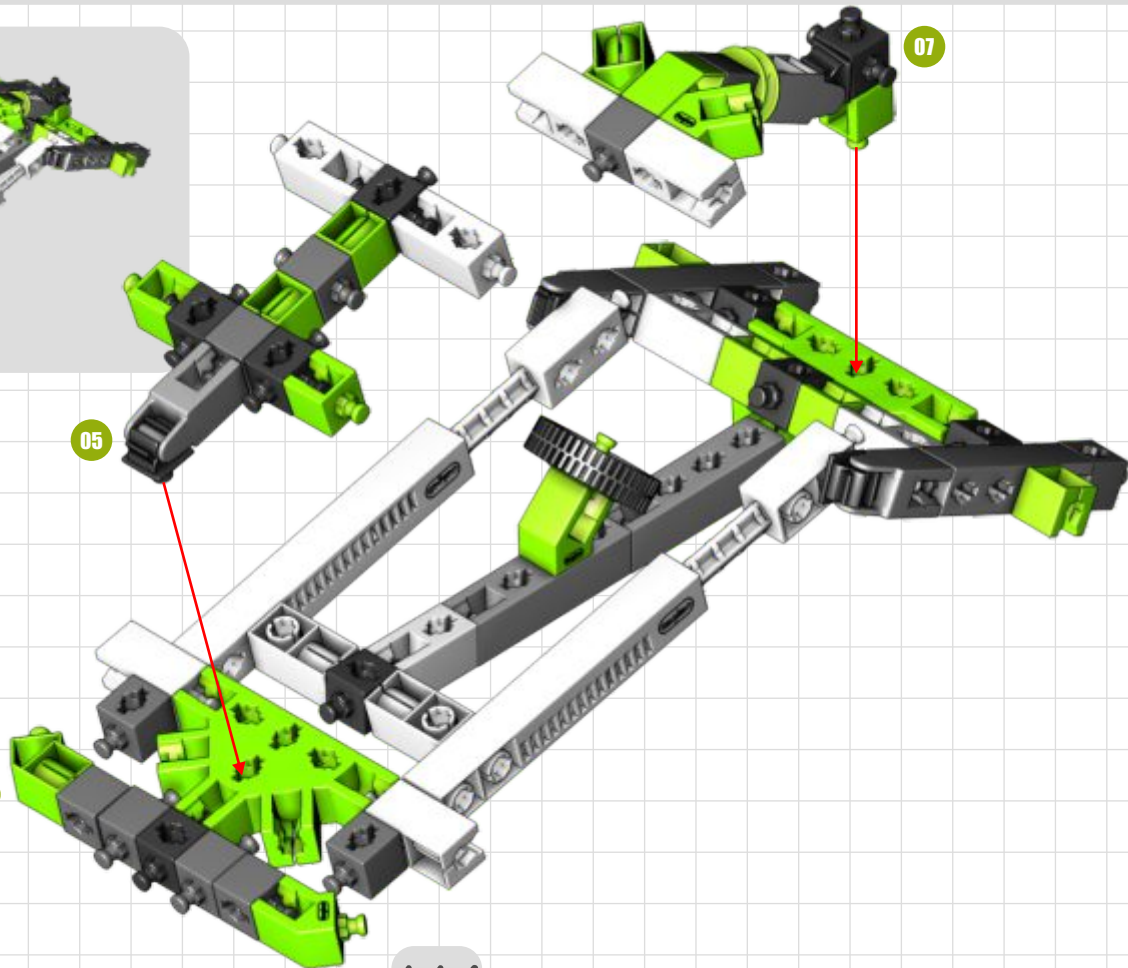
10



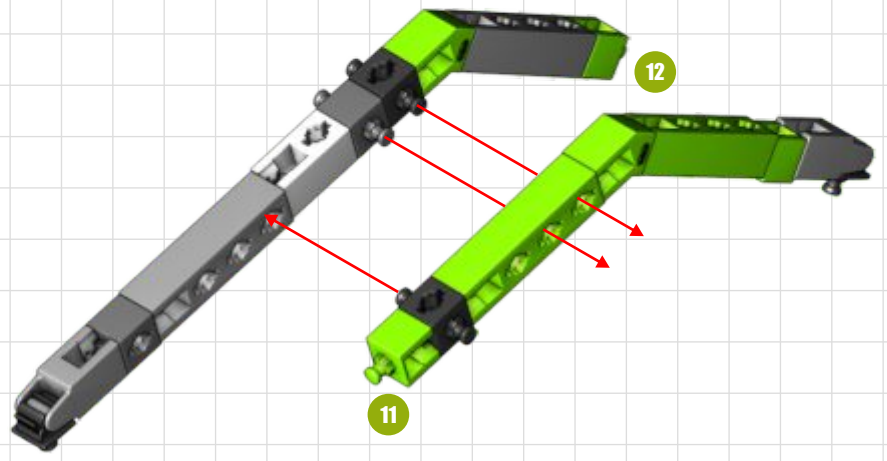
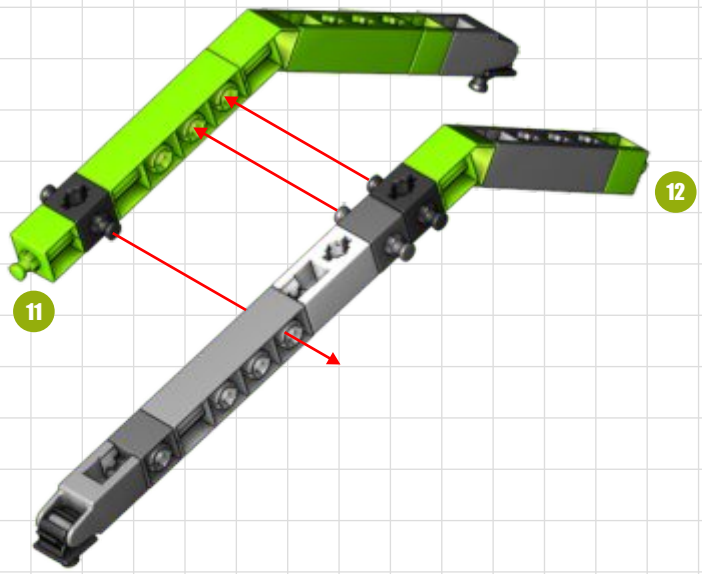
05

07

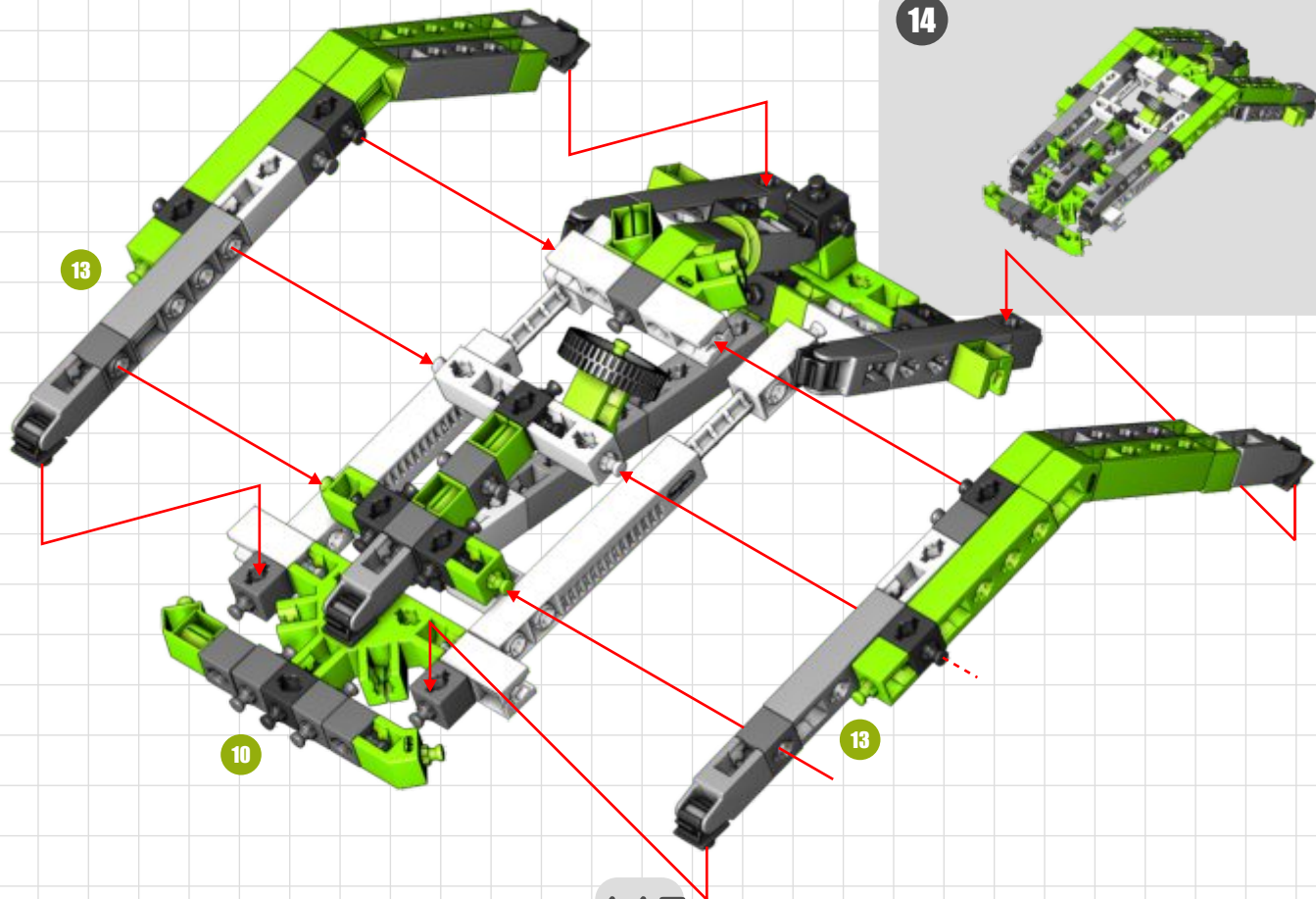
08











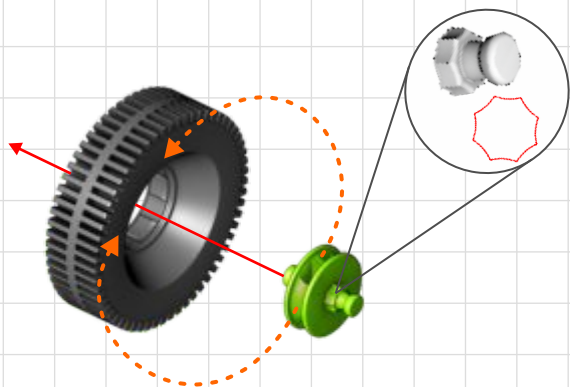
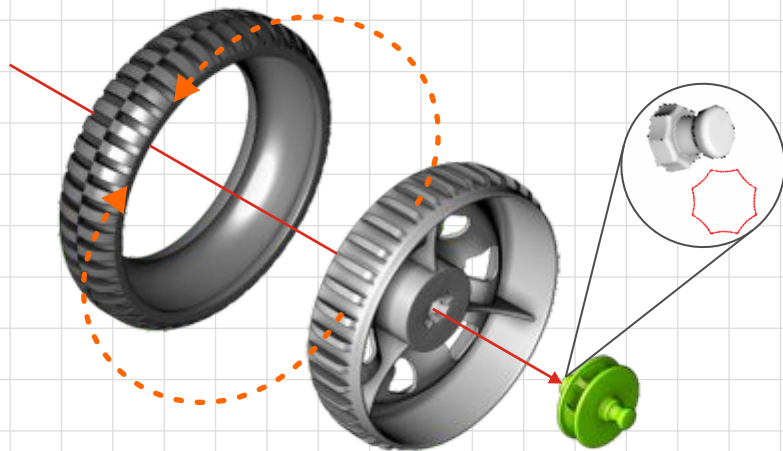
13

10

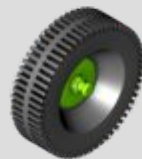
14

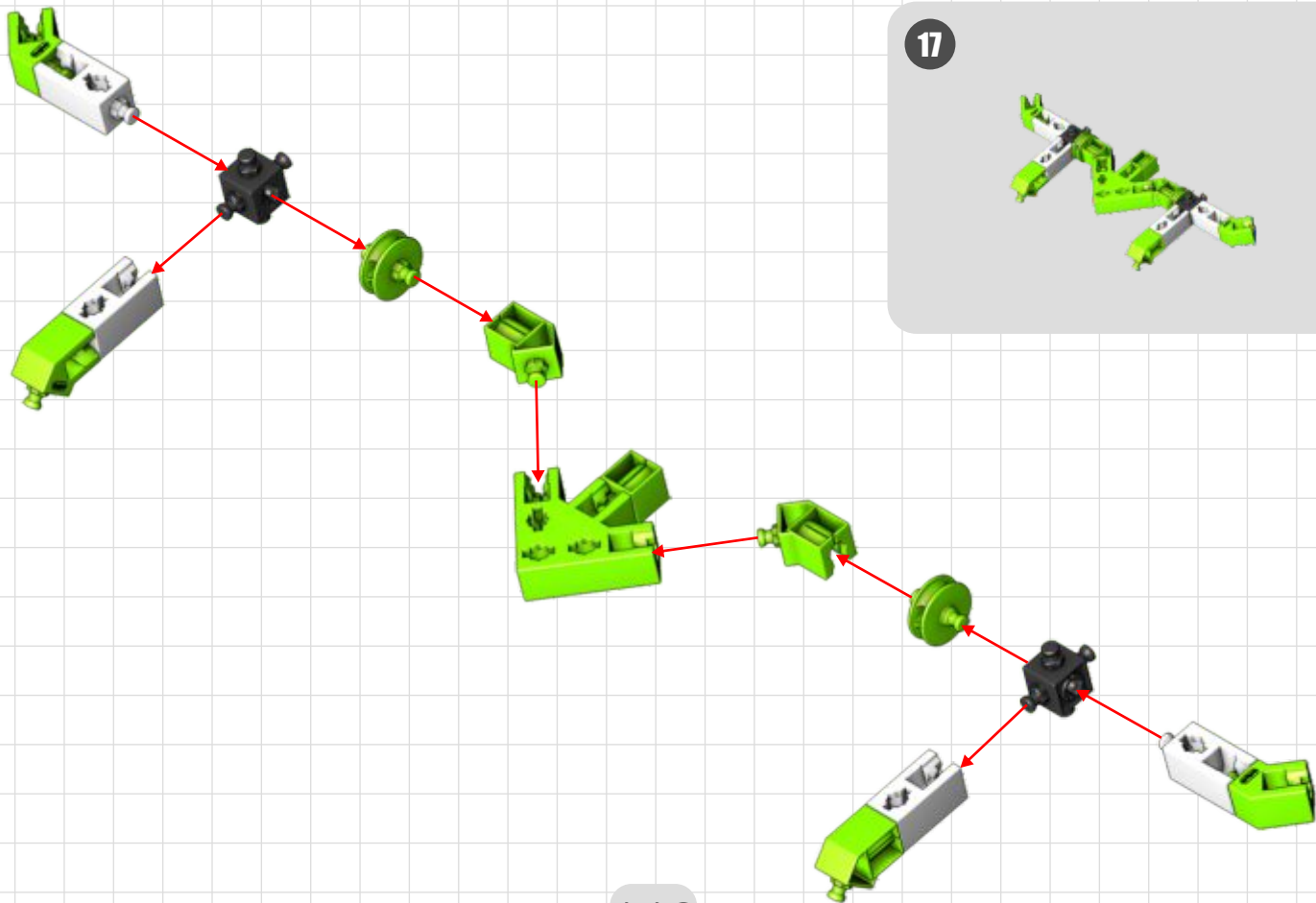
13

15 x2



16 x2





17



18



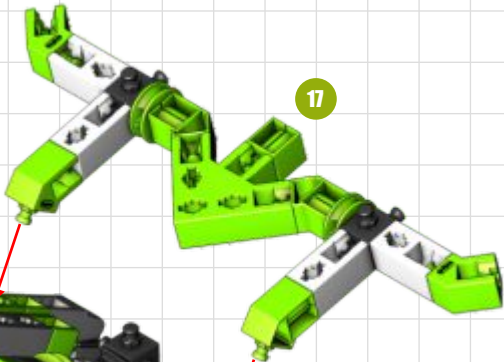
16



15



17



15

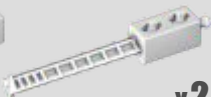


16

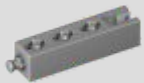




x2



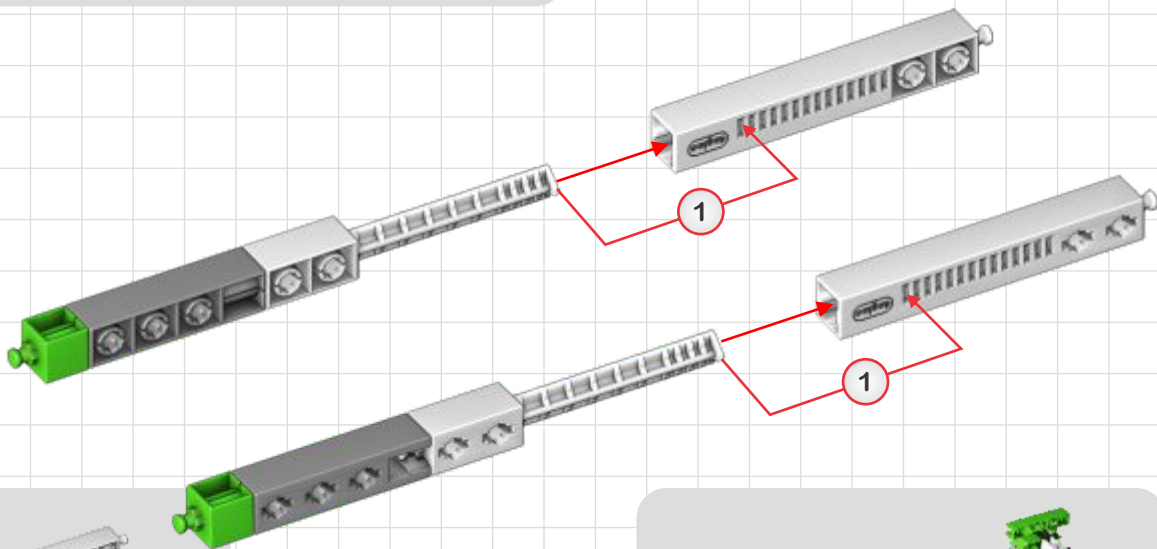
x2



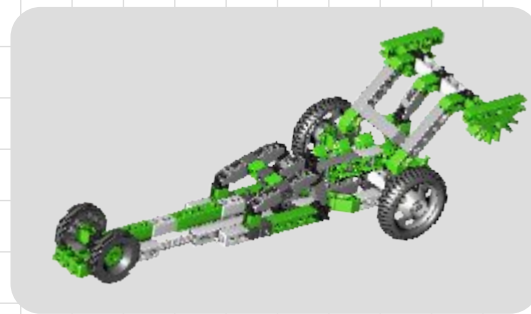
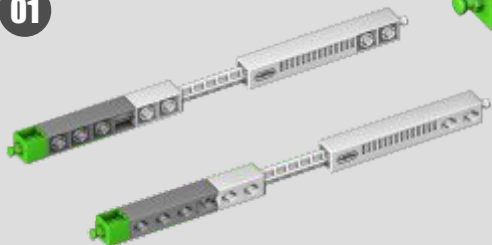
x2



x2



01





x4



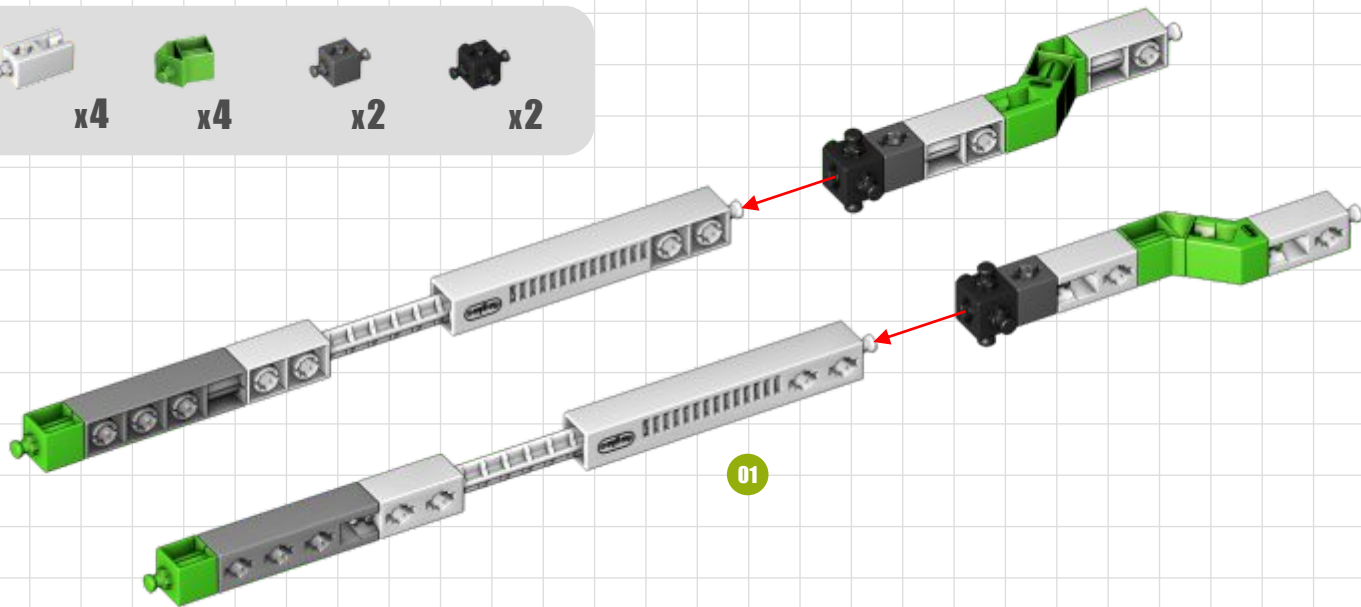
x4



x2

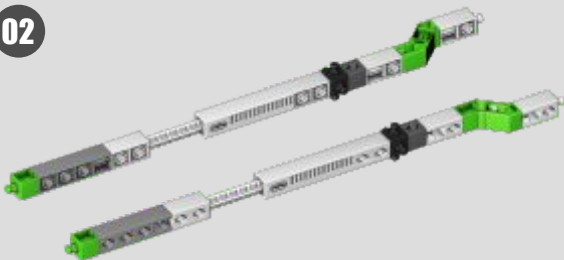


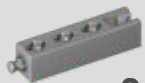
x2



01

02





x2



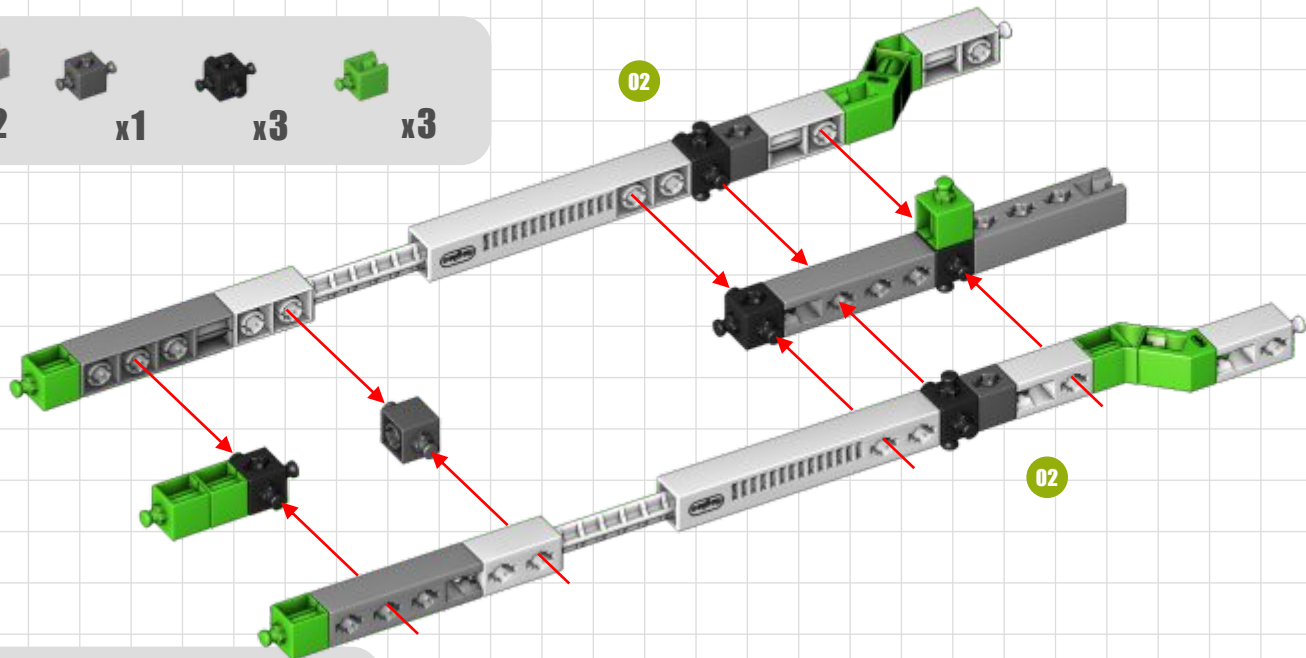
x1



x3

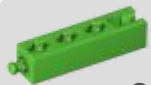


x3



03





x2



x2



x2



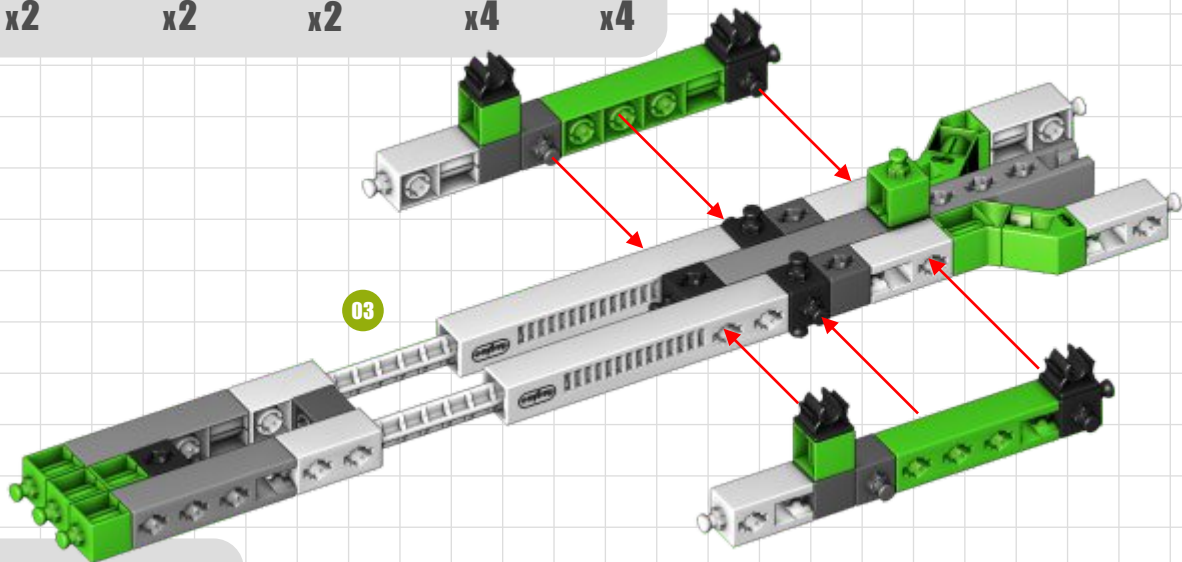
x2



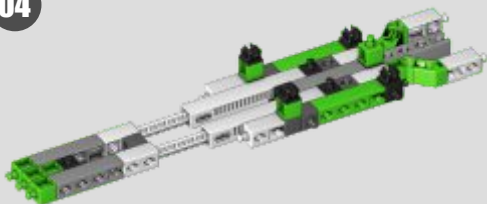
x4



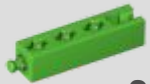
x4



04







x2



x4



x3



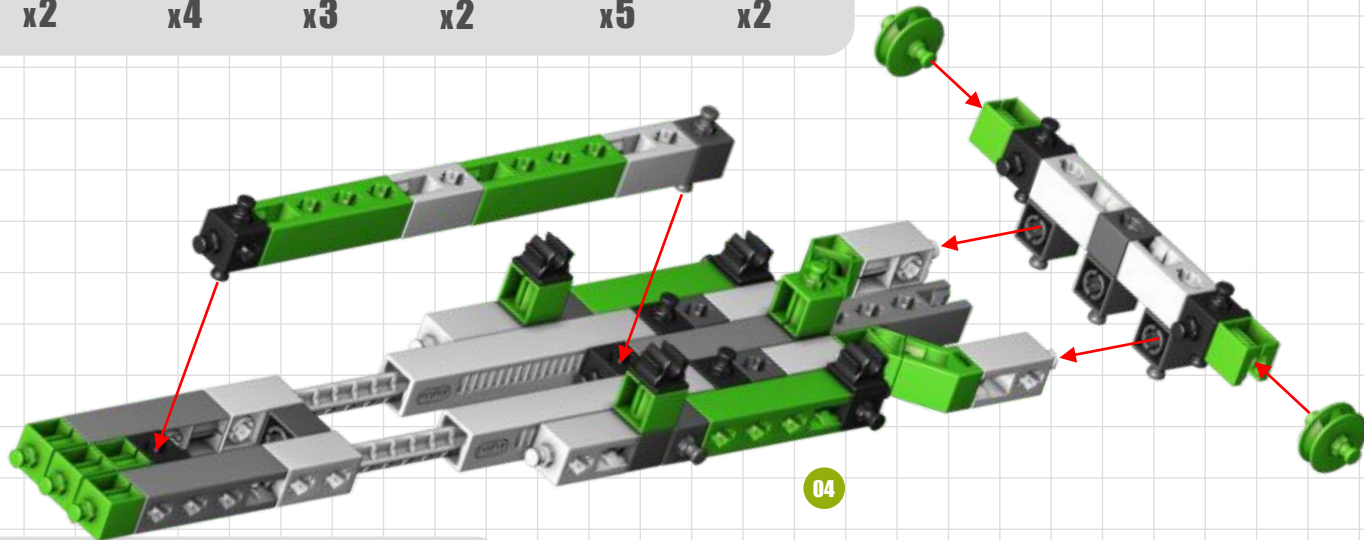
x2



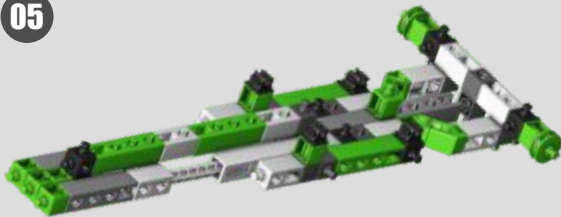
x5



x2



05





x3



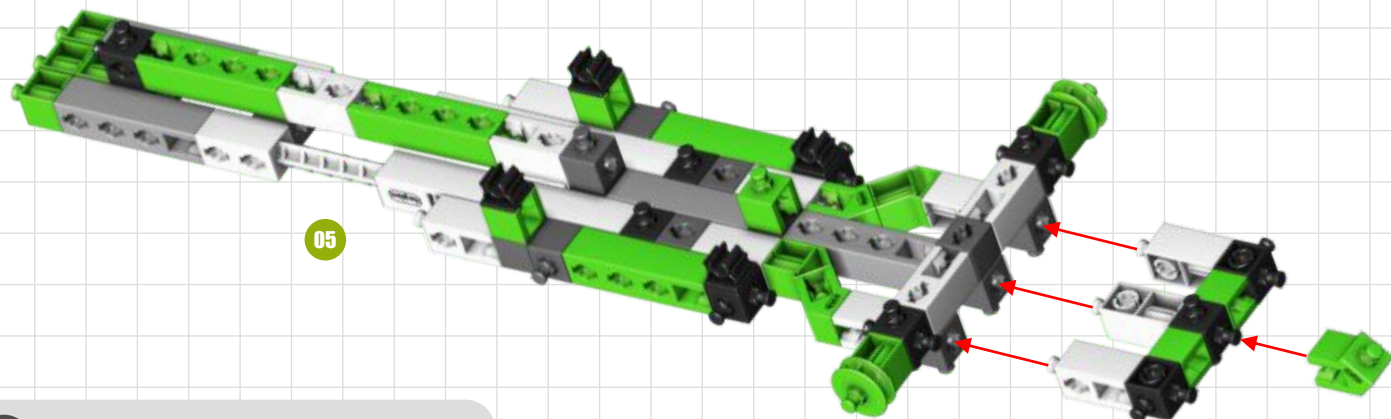
x3



x2

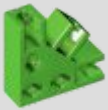


x1

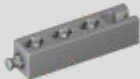


06





x1



x1



x1



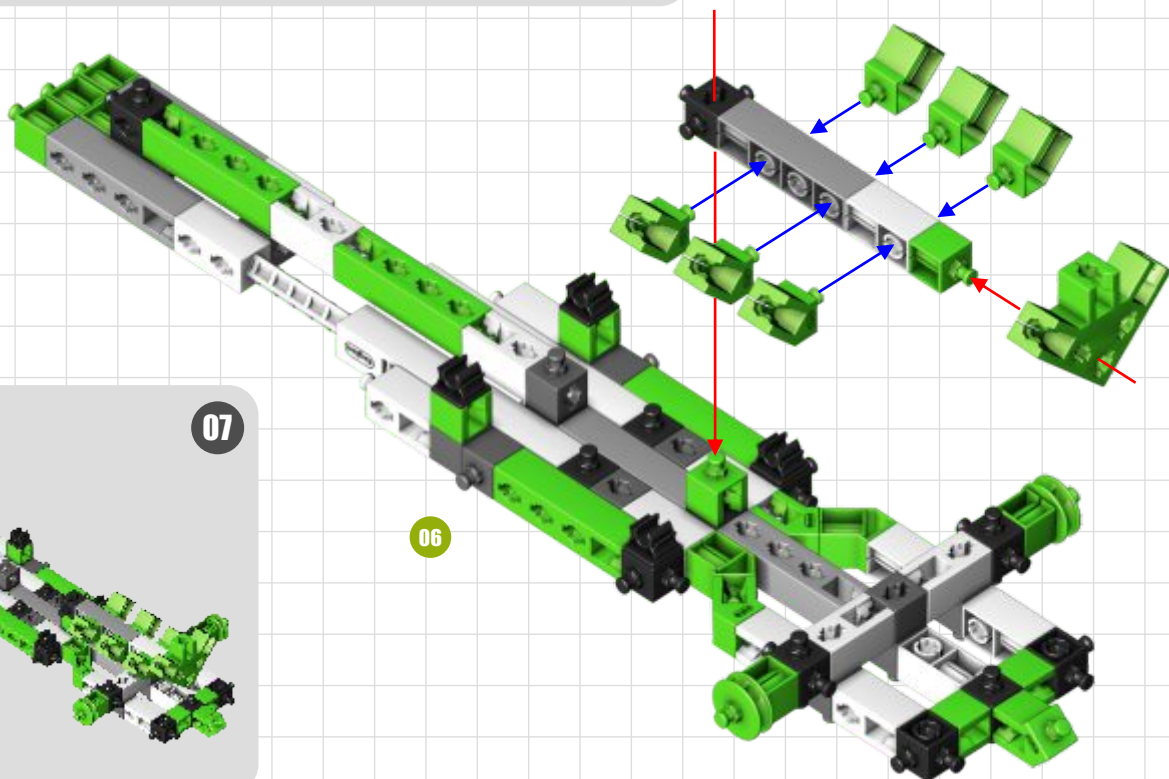
x1



x1

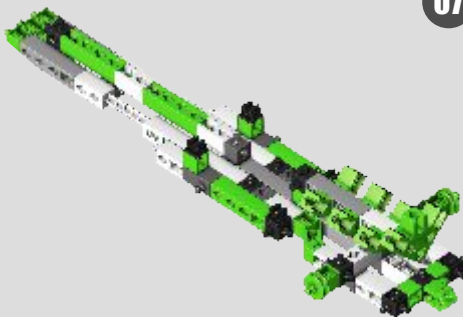


x6



07

06





x7



x1



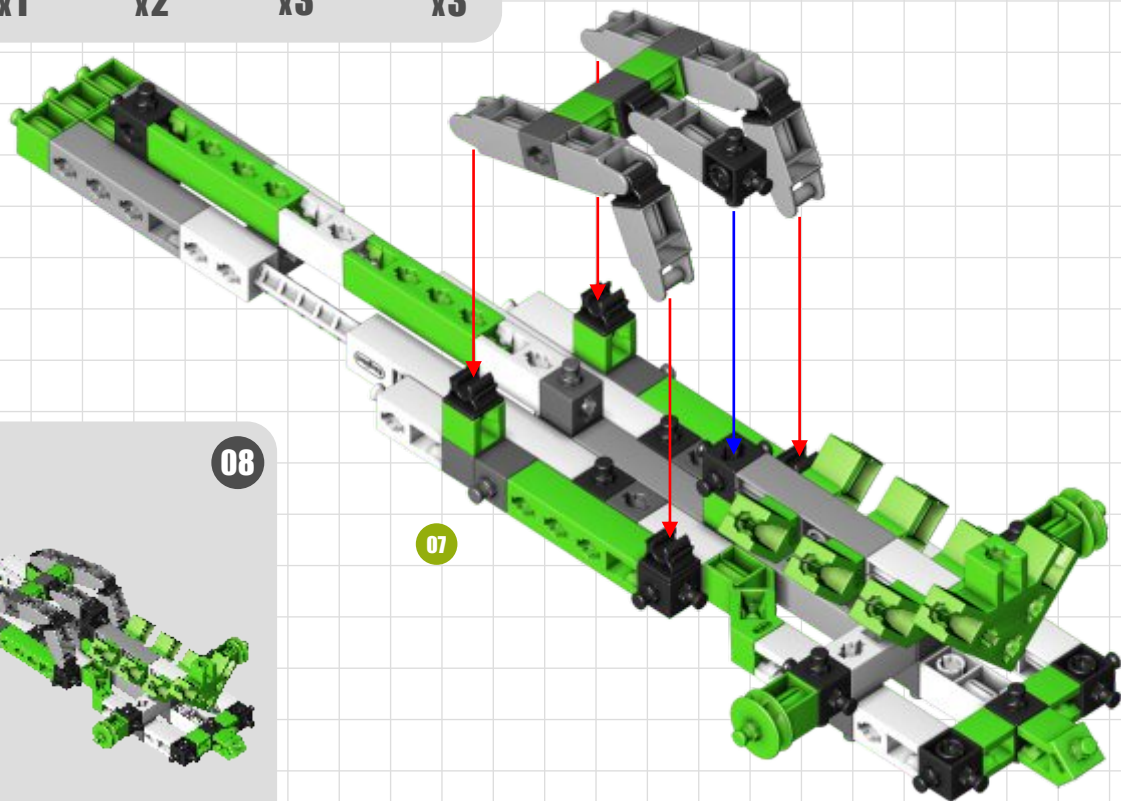
x2



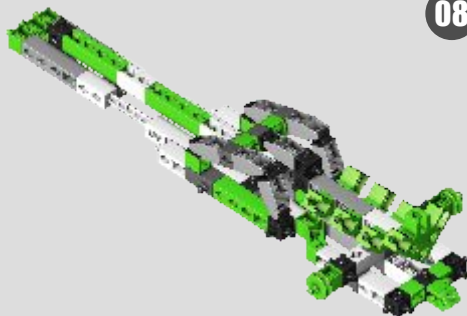
x3



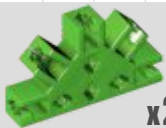
x3



08



07



x2



x3



x1



x2



x5



x3



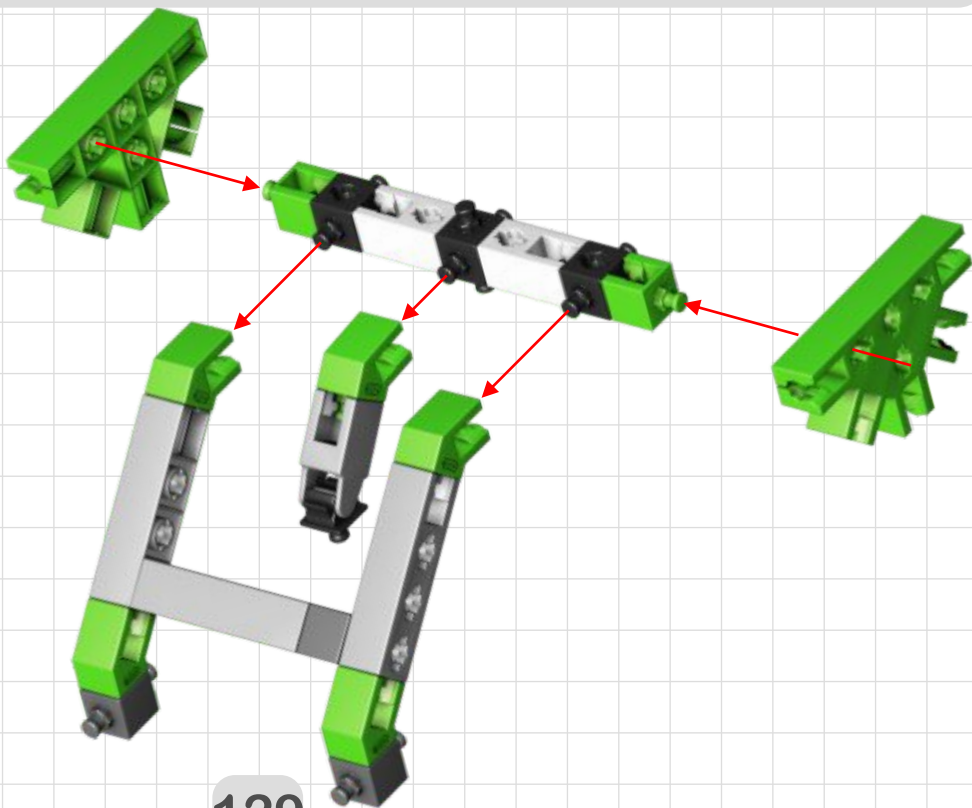
x3



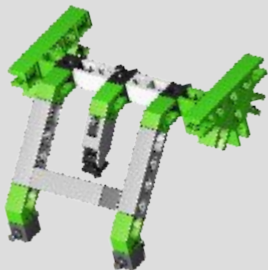
x2

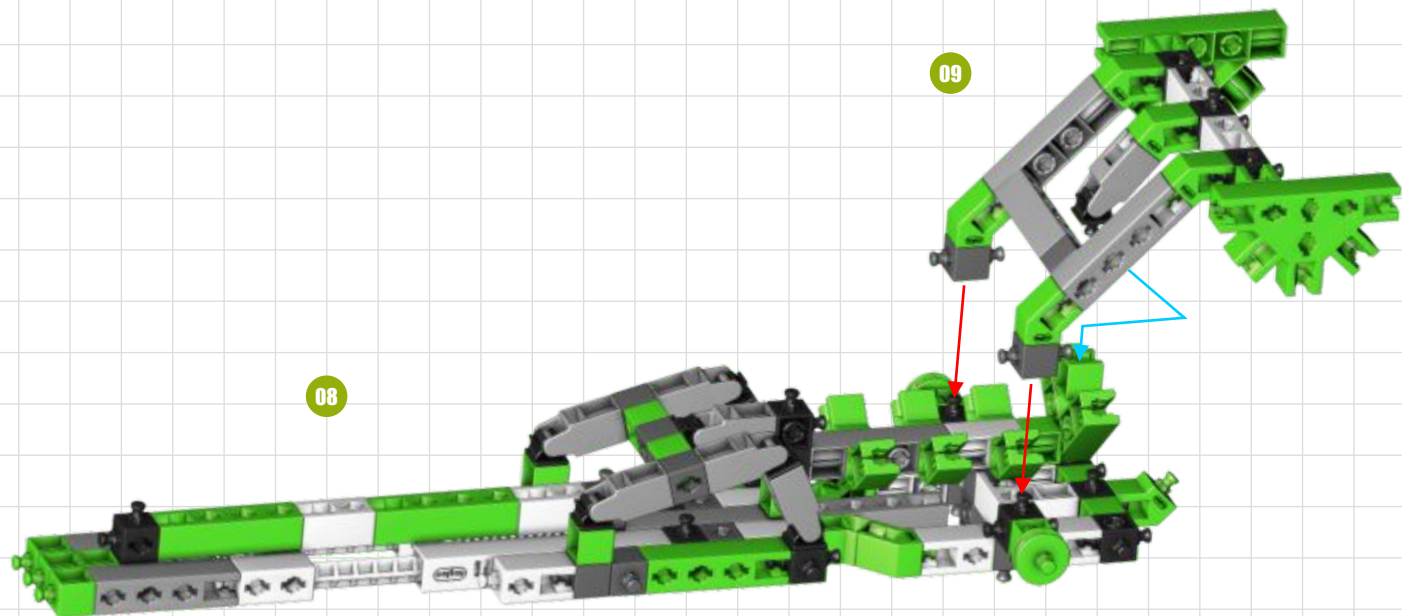


x1



09







tire  
L

x2



tire  
S

x2



x2



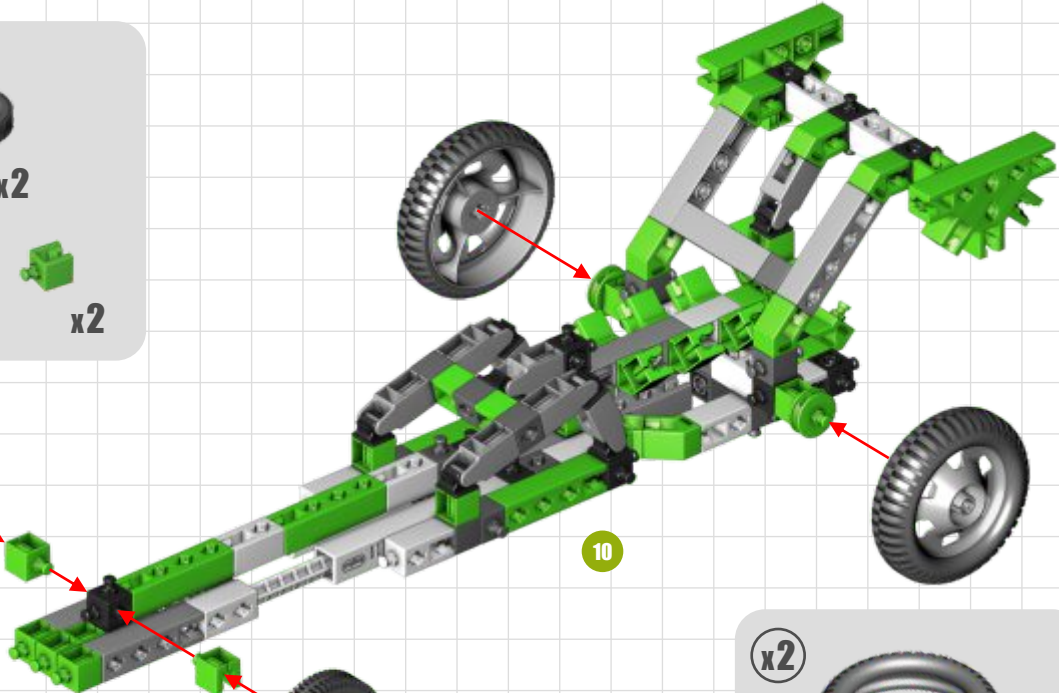
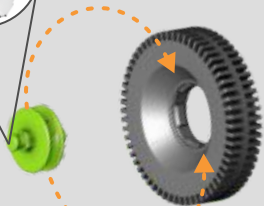
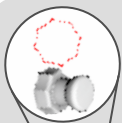
x2



x2



x2



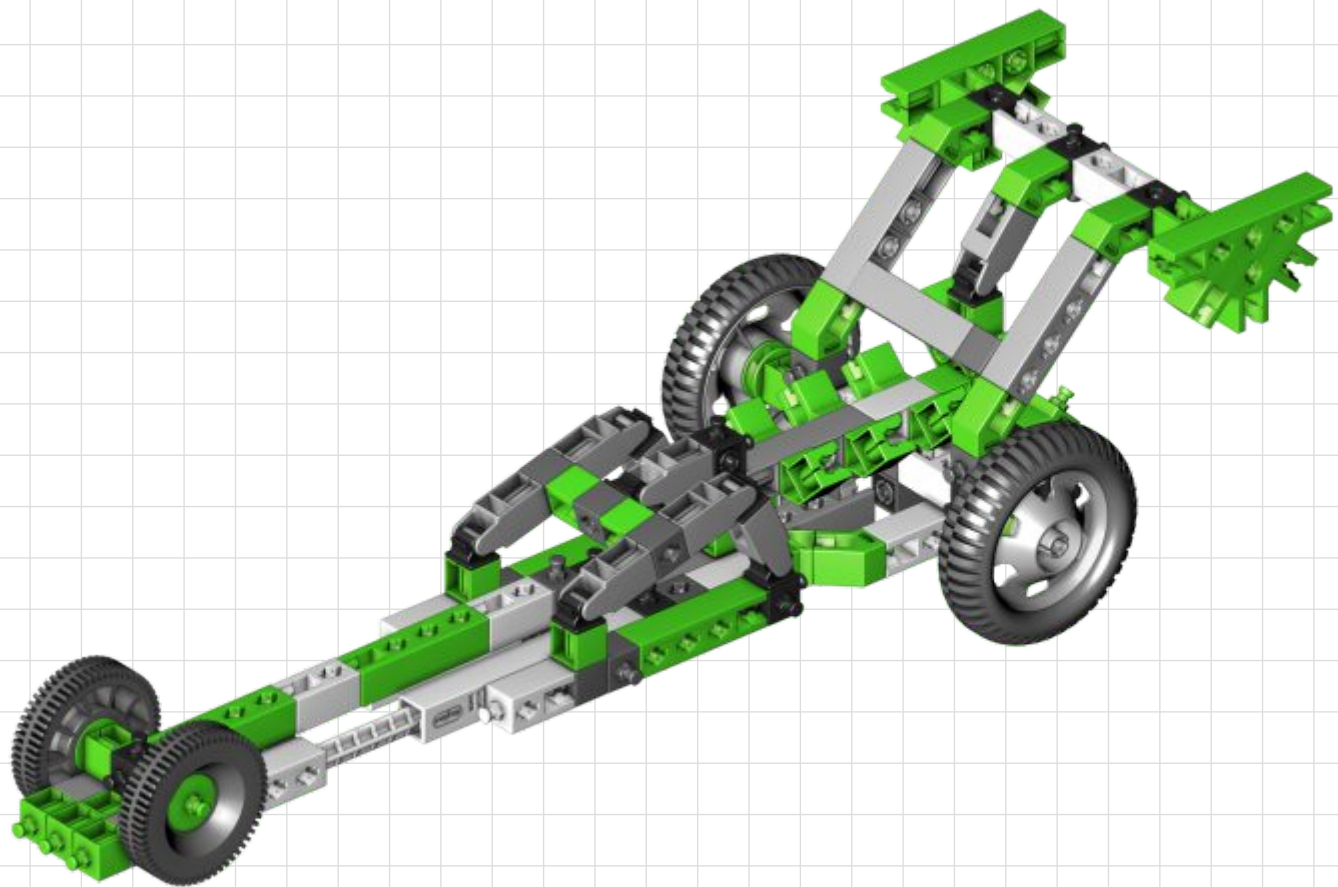
10



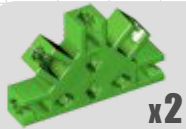
x2











x2



x2



x2



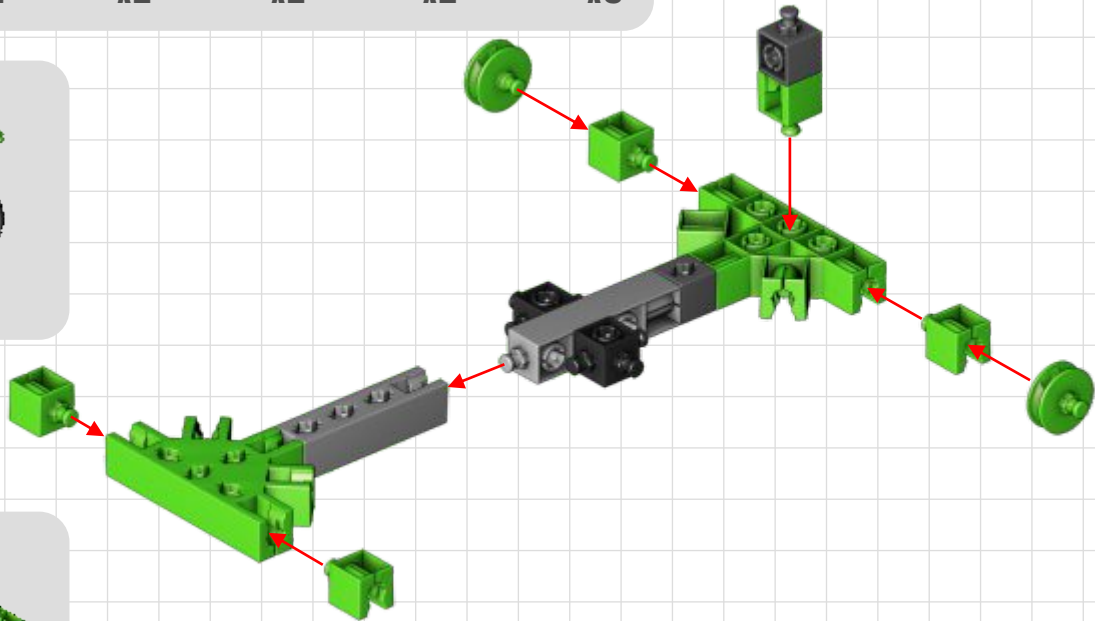
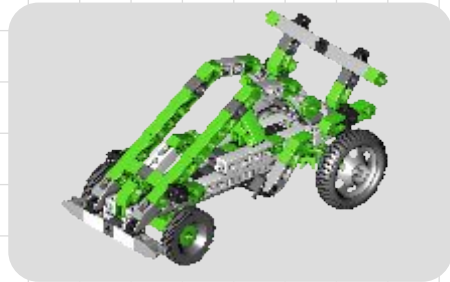
x2



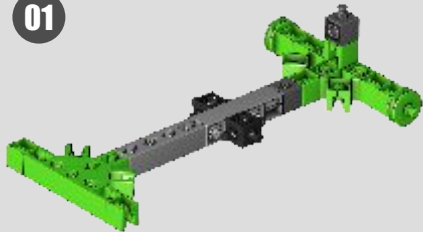
x2



x5

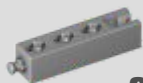


01





x2



x3



x3



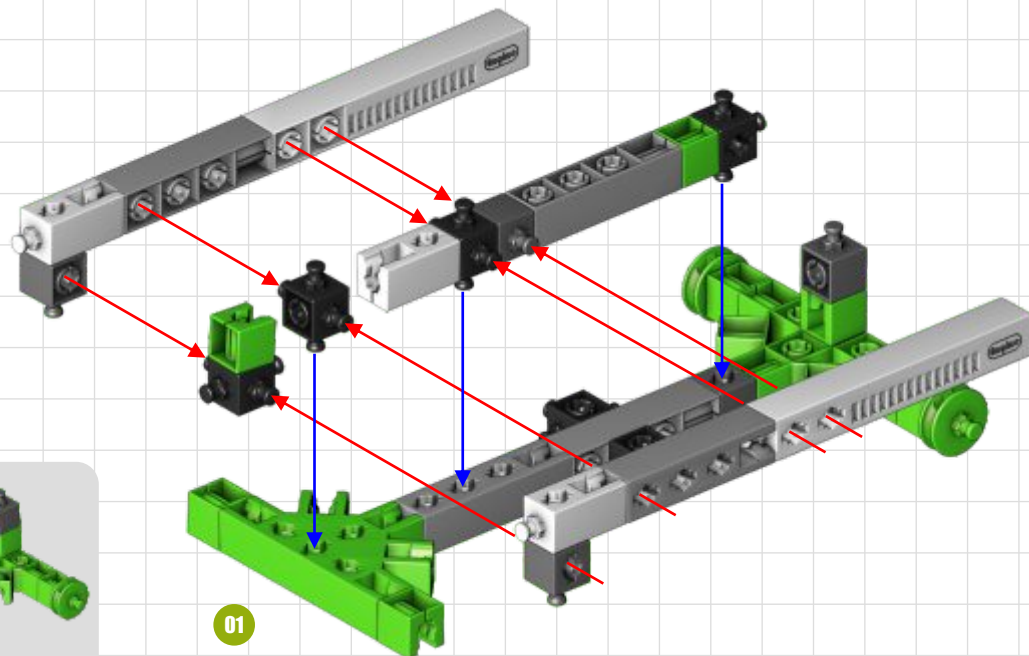
x4



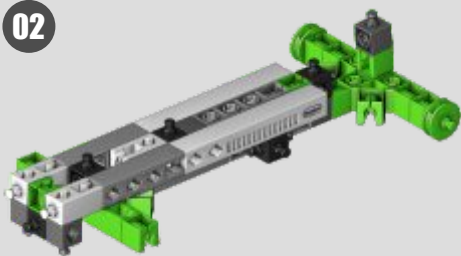
x3



x2



02



01



x2



x4



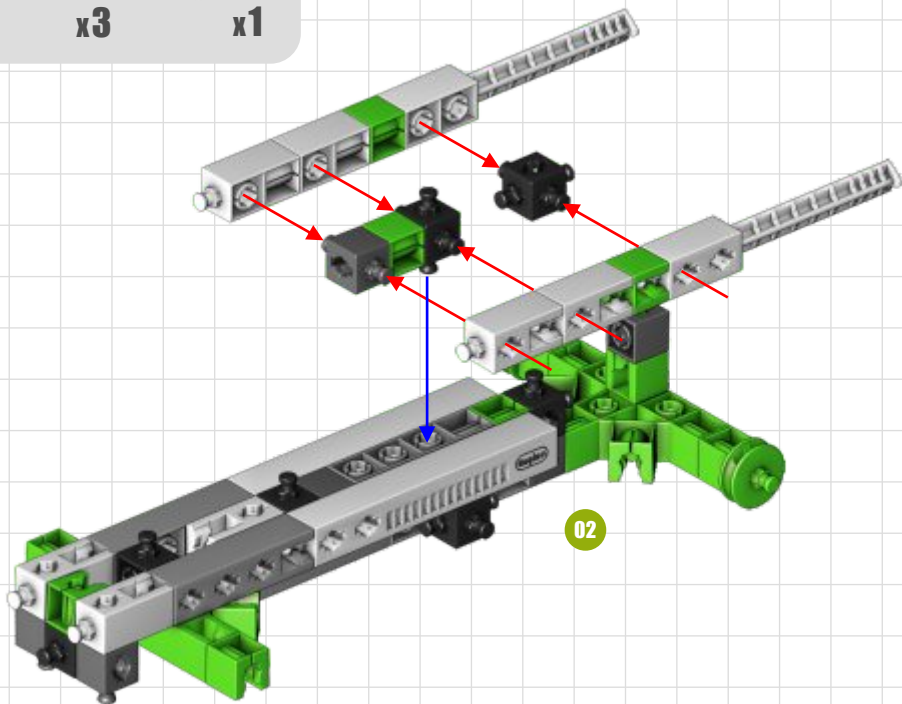
x2



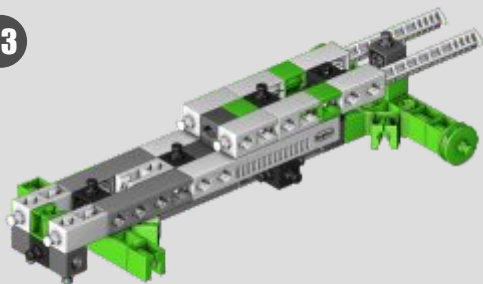
x3

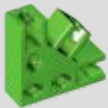


x1



03





x1



x2



x3



x2



x2



x2

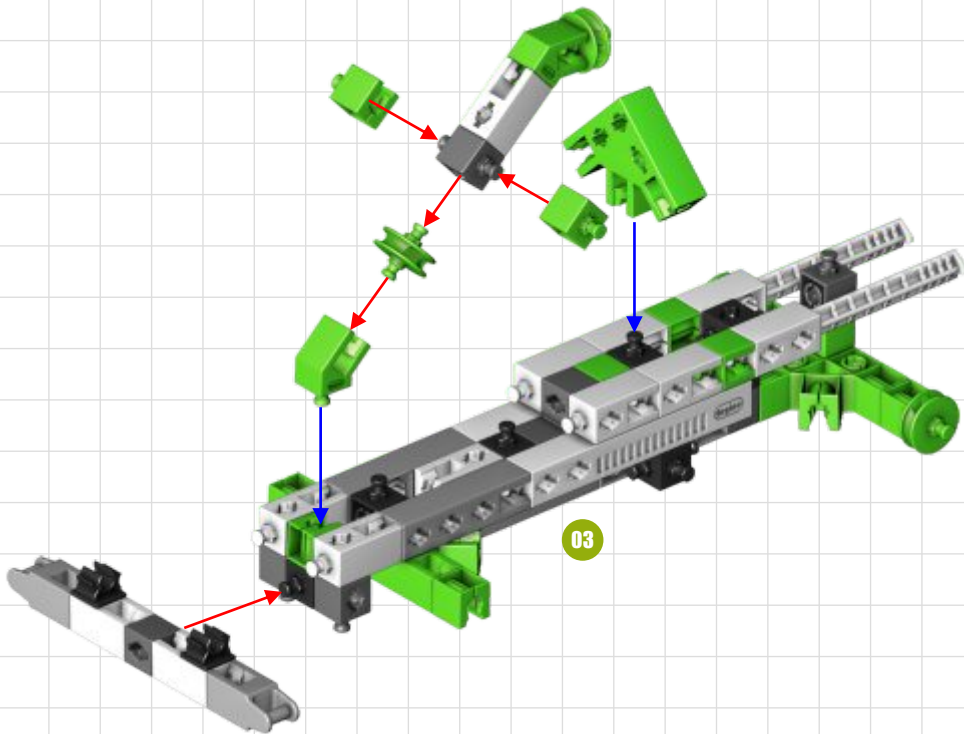


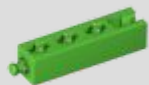
x2



x2

04





x4



x2



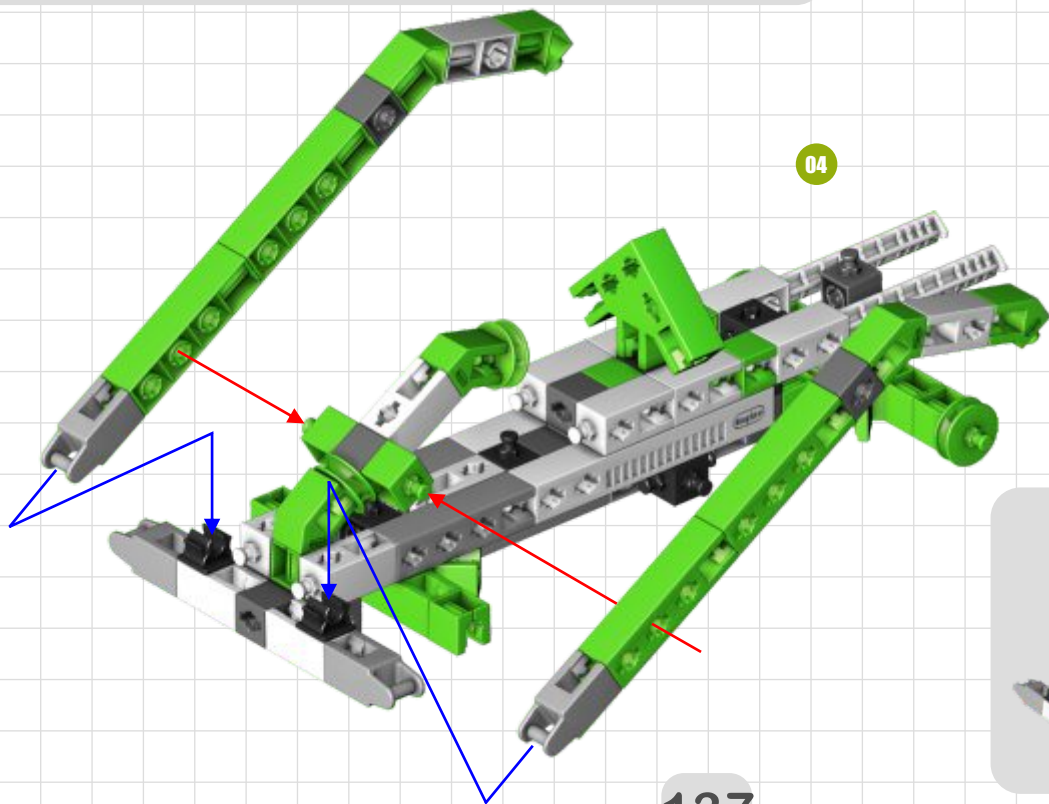
x2



x2



x4





x4



x2



x2



x1



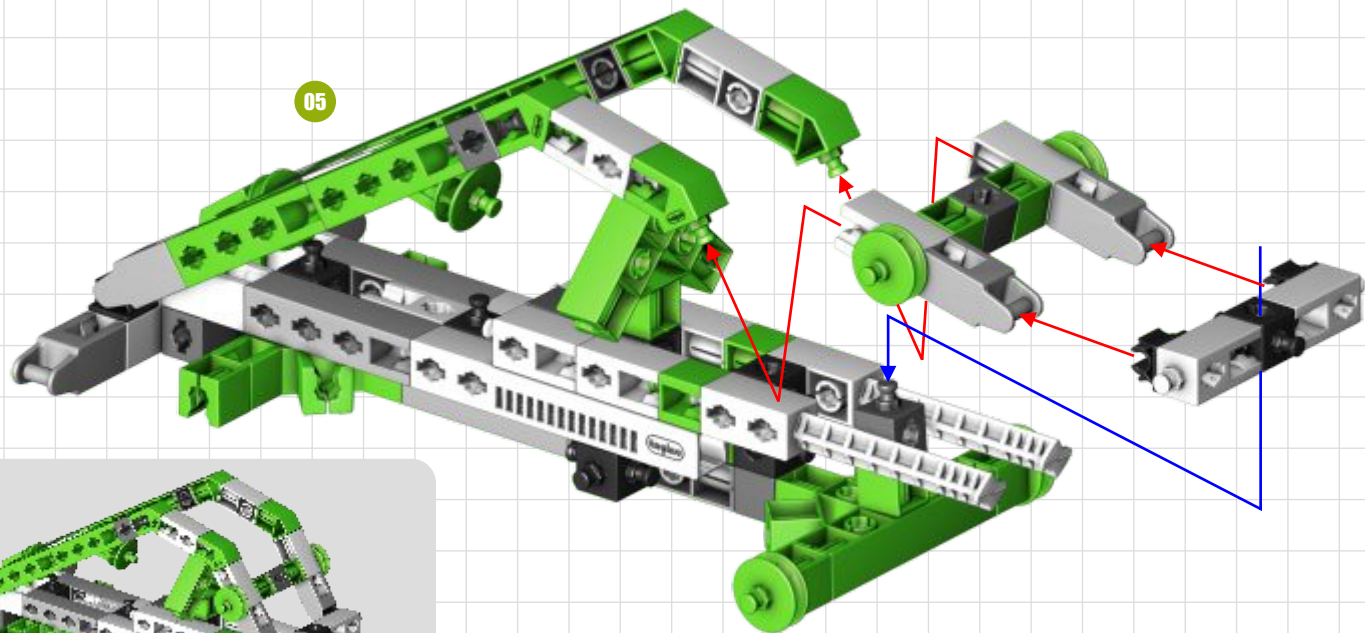
x2



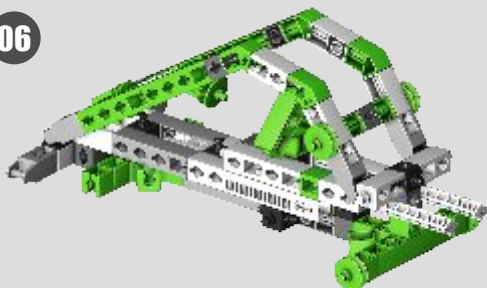
x1



x2



06





x2



x2



x2



x2



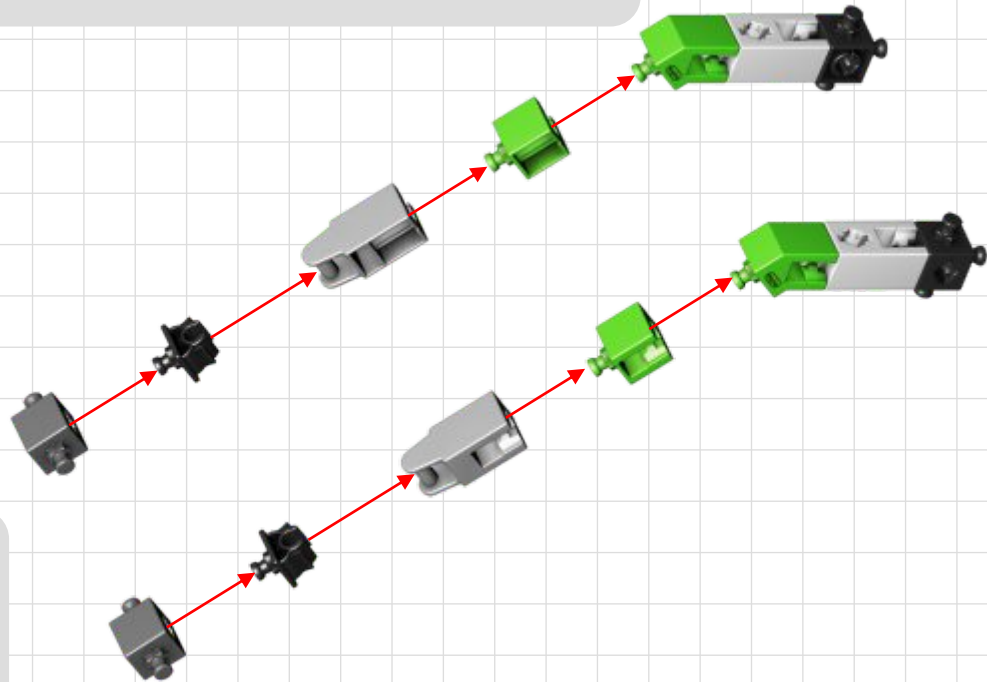
x2



x2



x2



07

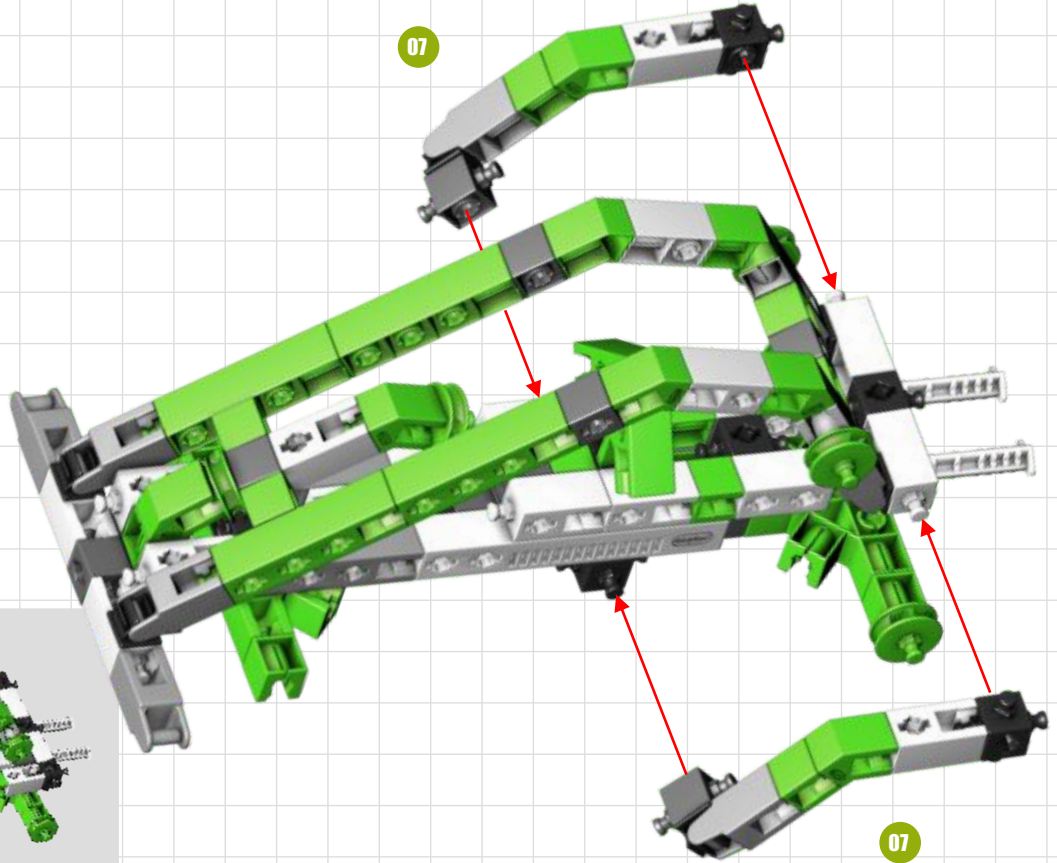


06

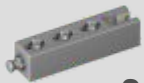
07

07

08







x2



x8



x5



x2

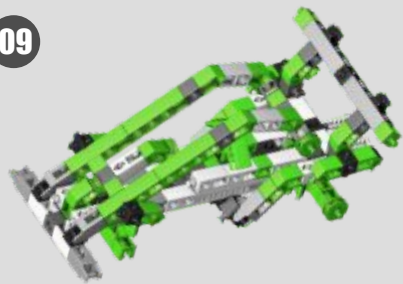


x4

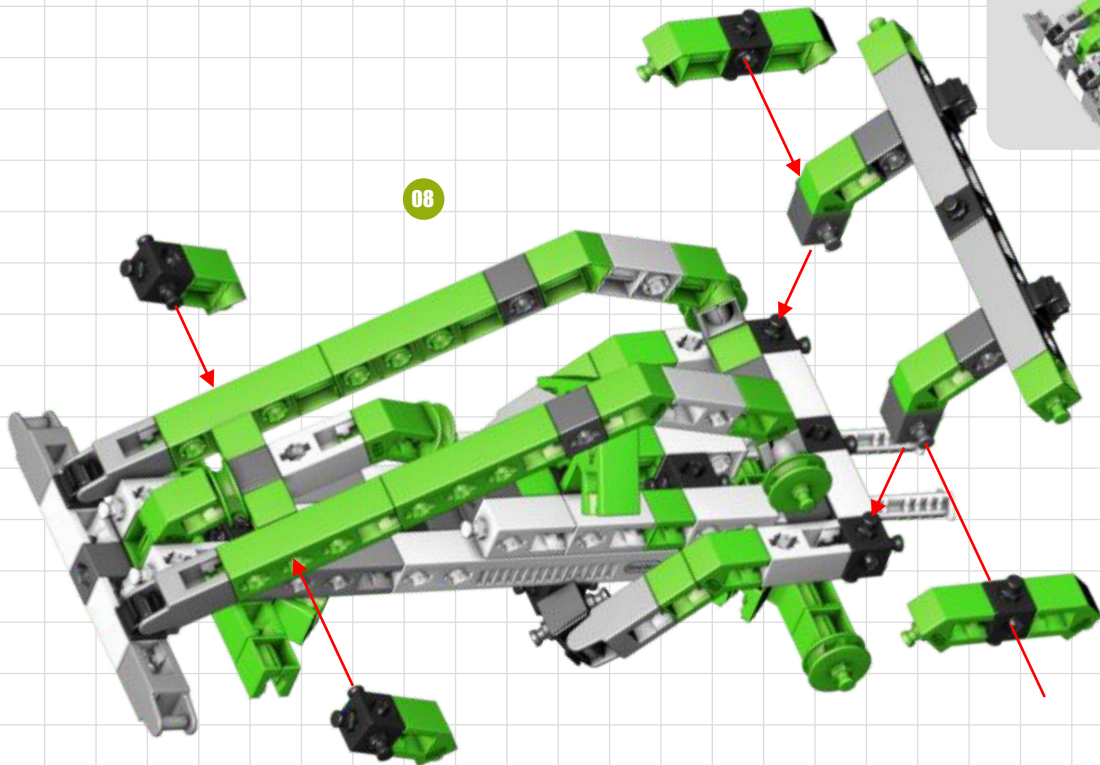


x2

09



08





tire  
L

x2



tire  
S

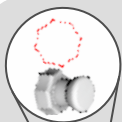
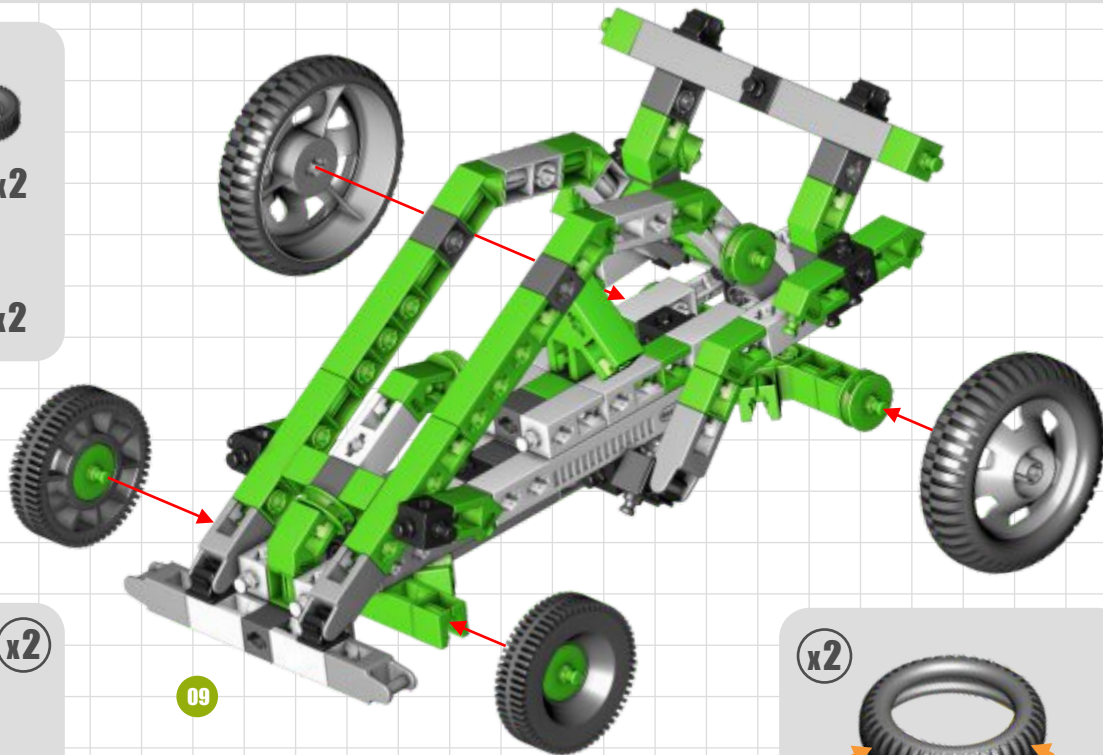
x2



x2



x2



x2



x2

