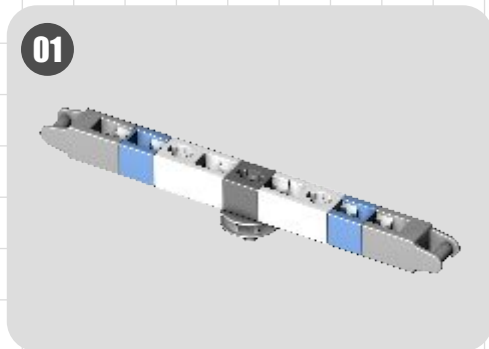
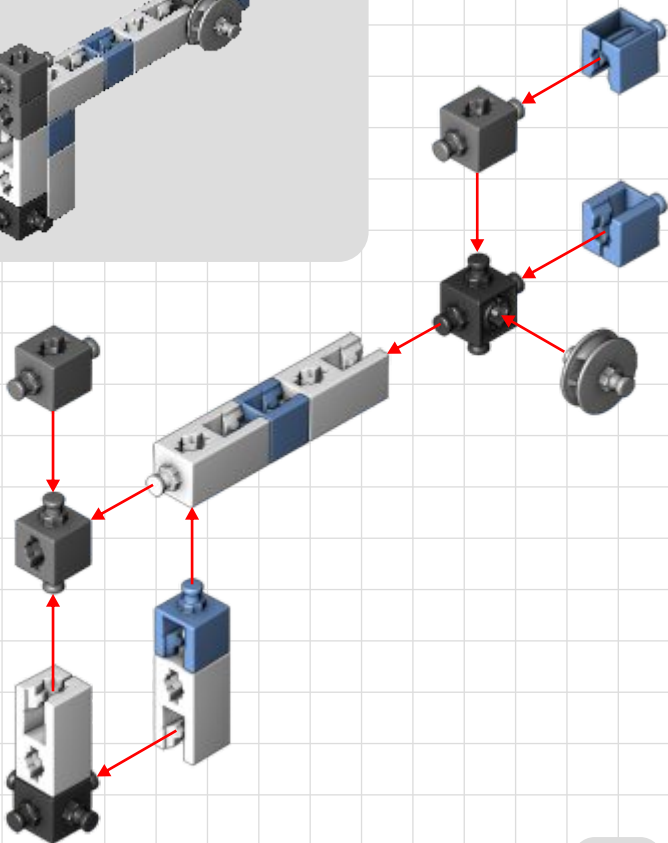
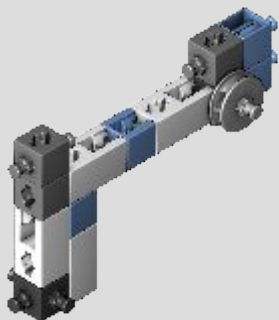


01

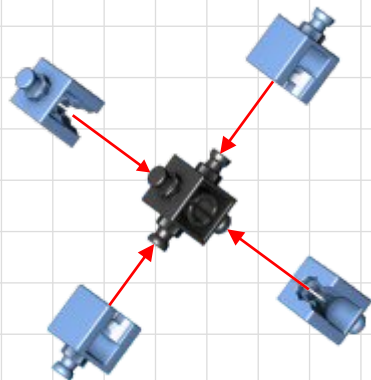
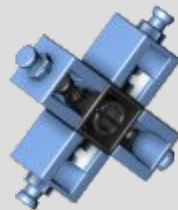


01

02

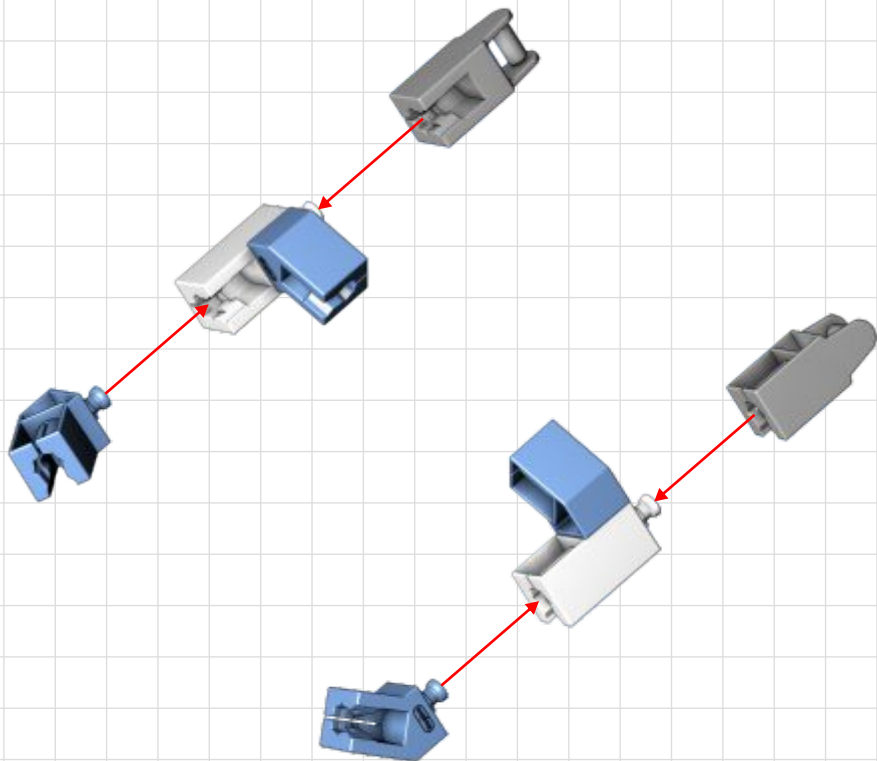
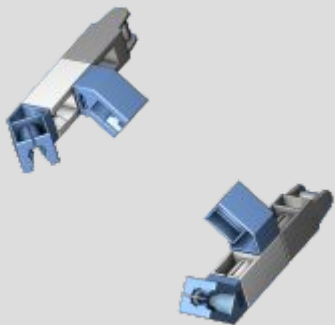


03



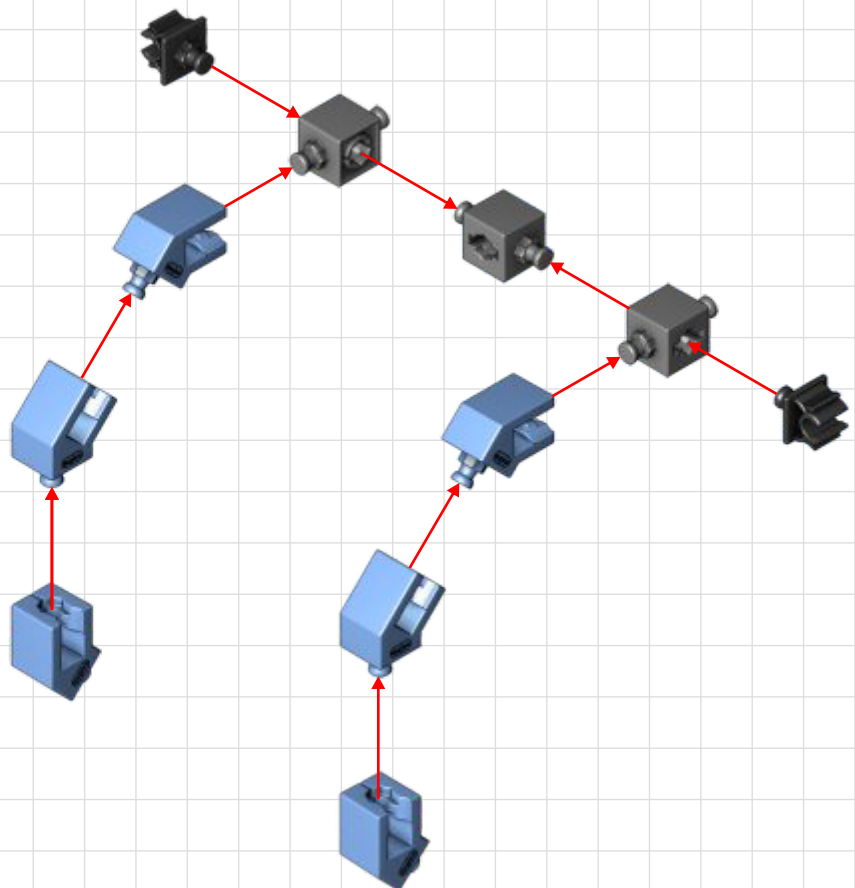
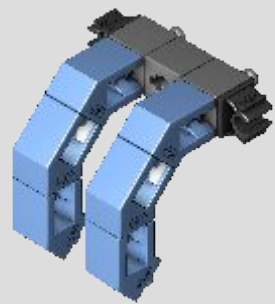
02

04

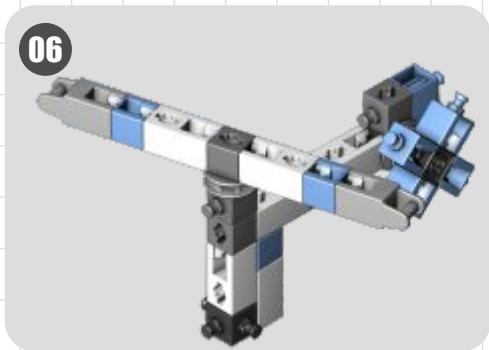
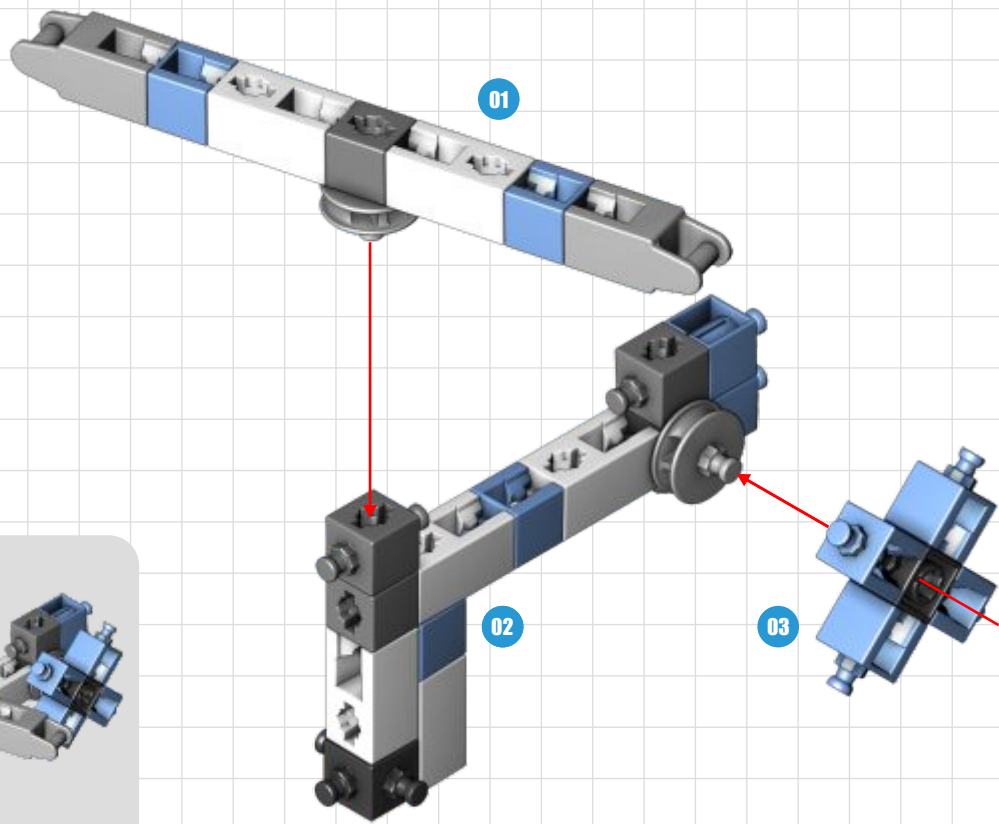


03

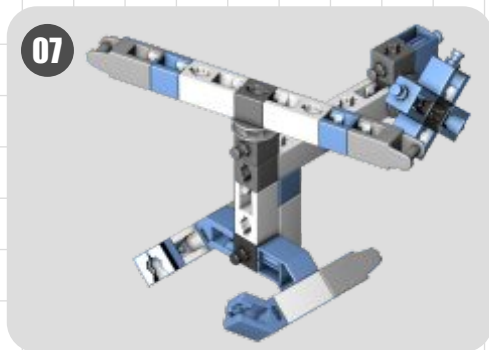
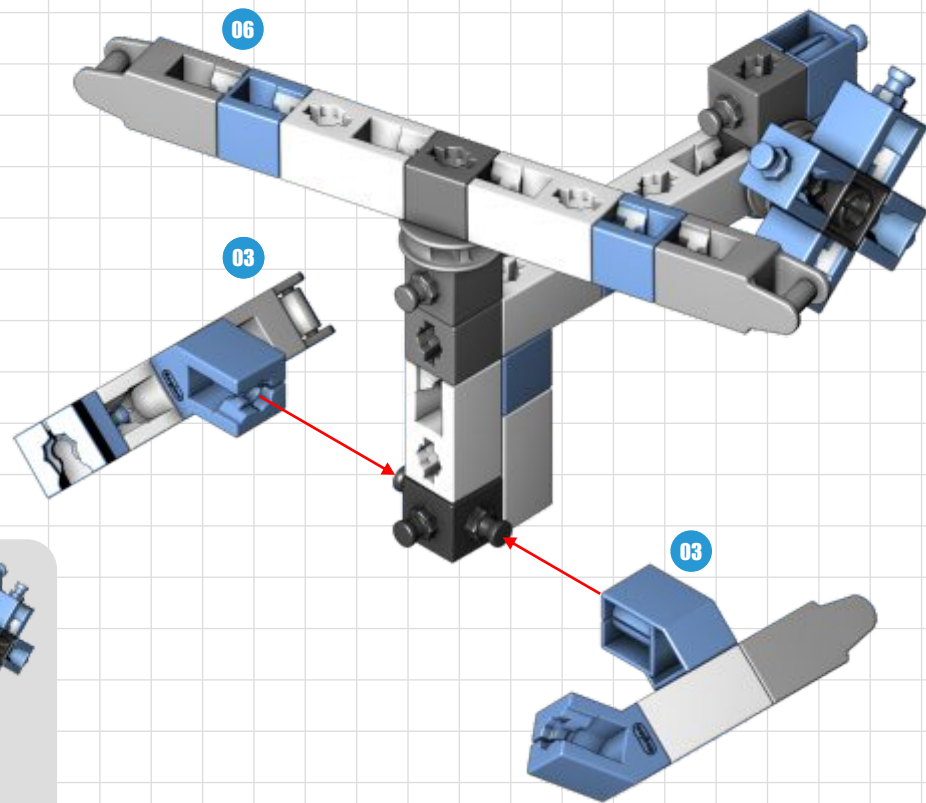
05



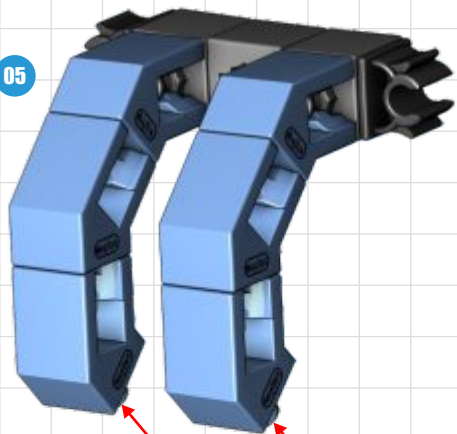
04



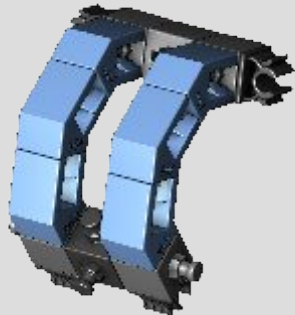
05



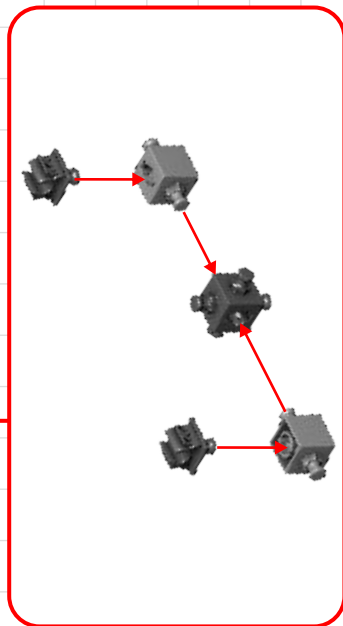
05



08

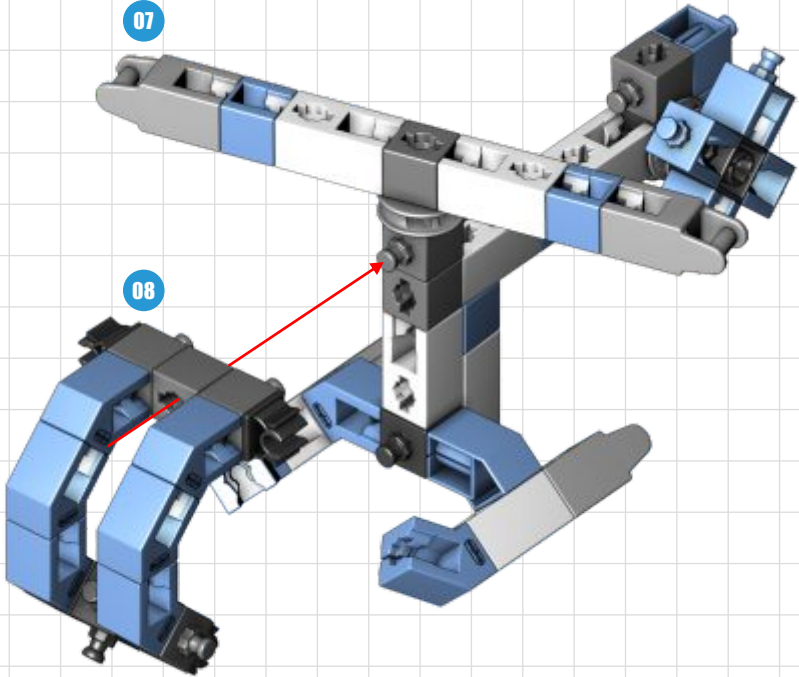


07

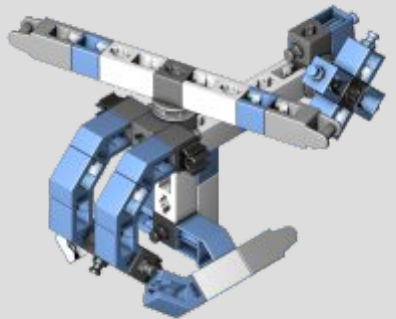


07

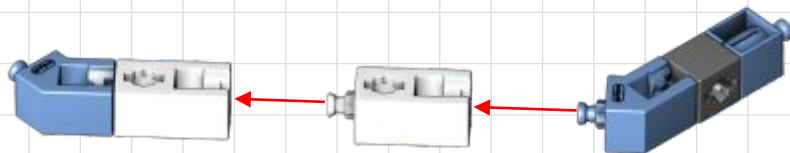
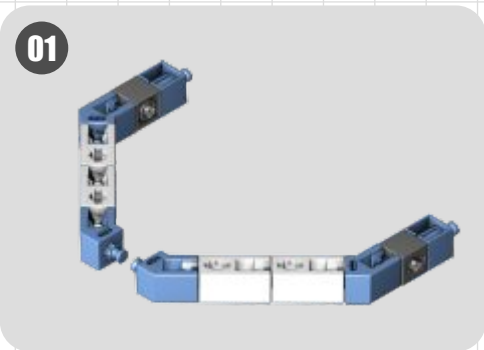
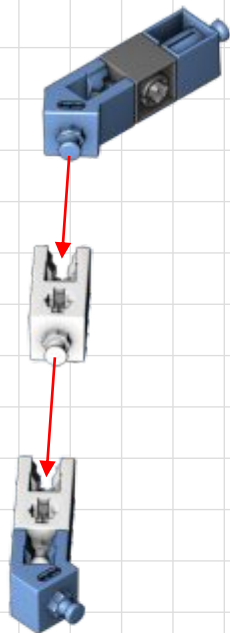
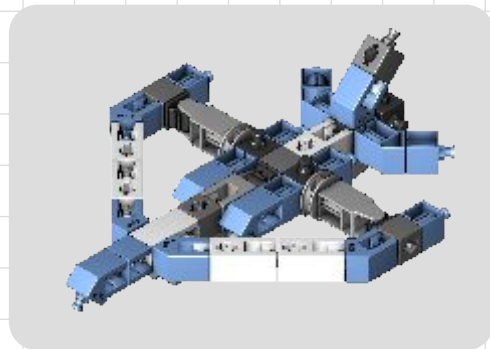
08

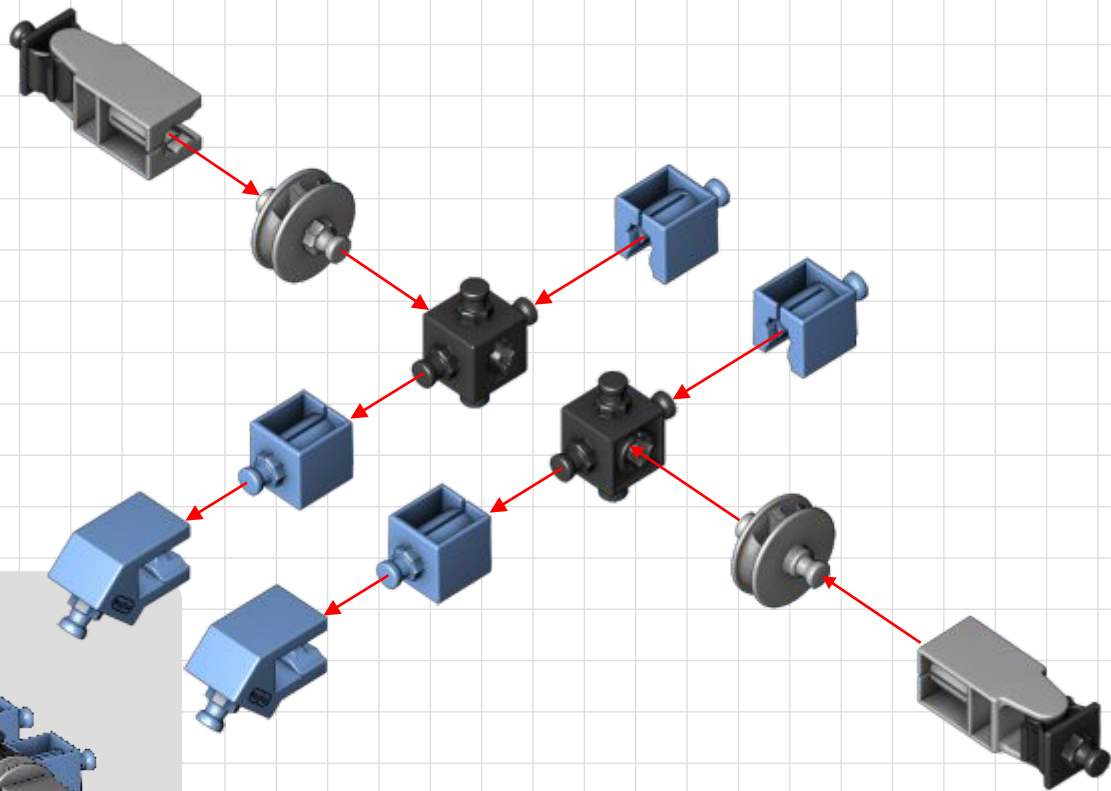


09

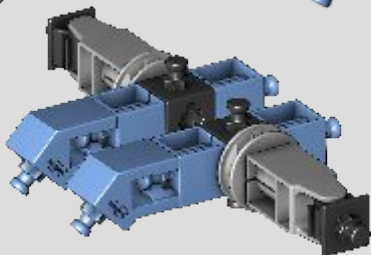


08

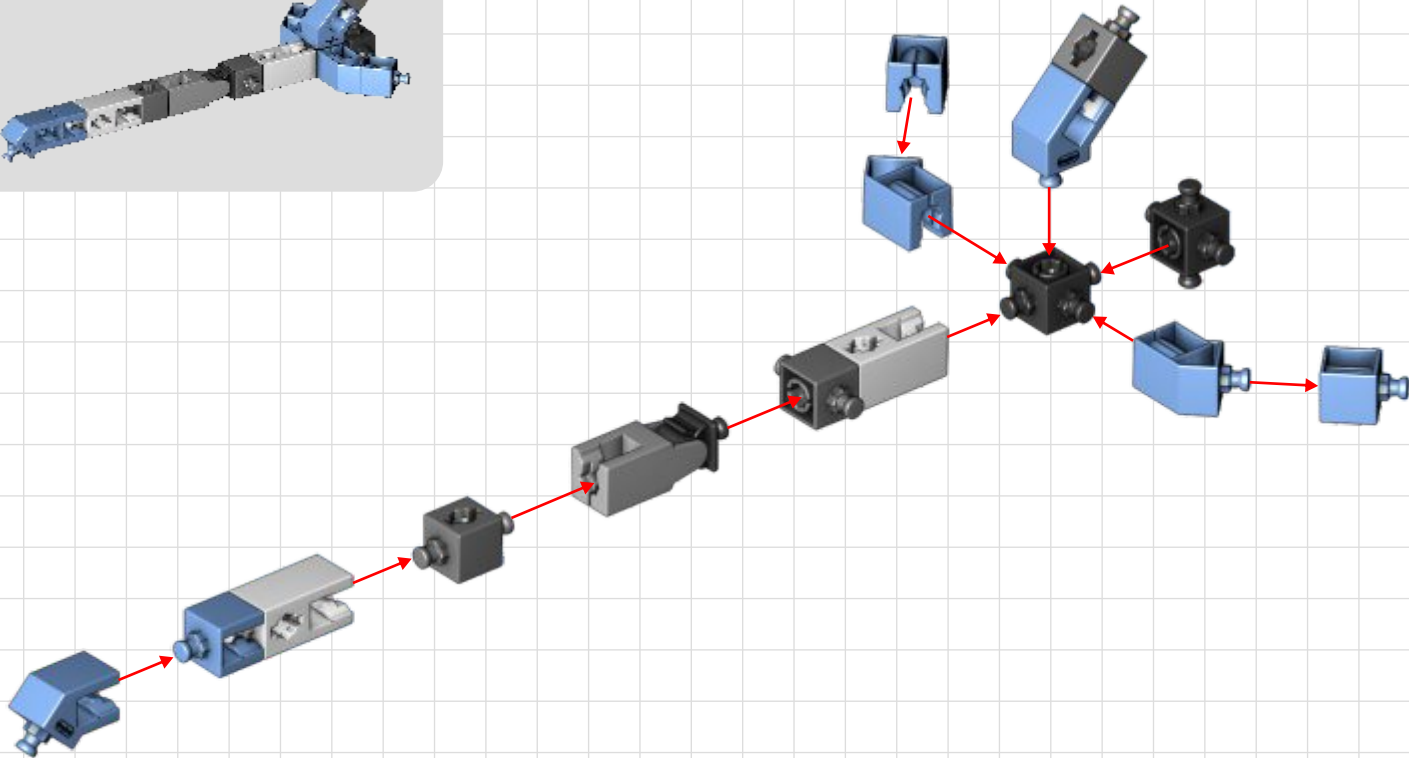
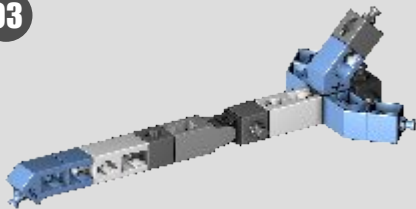




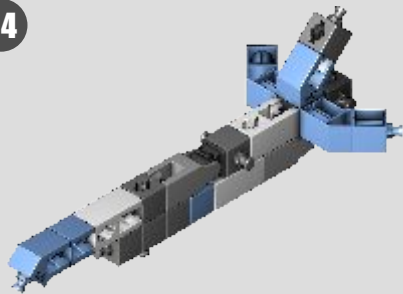
02



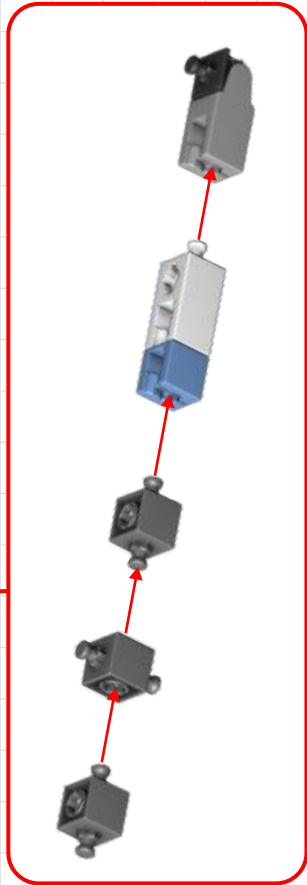
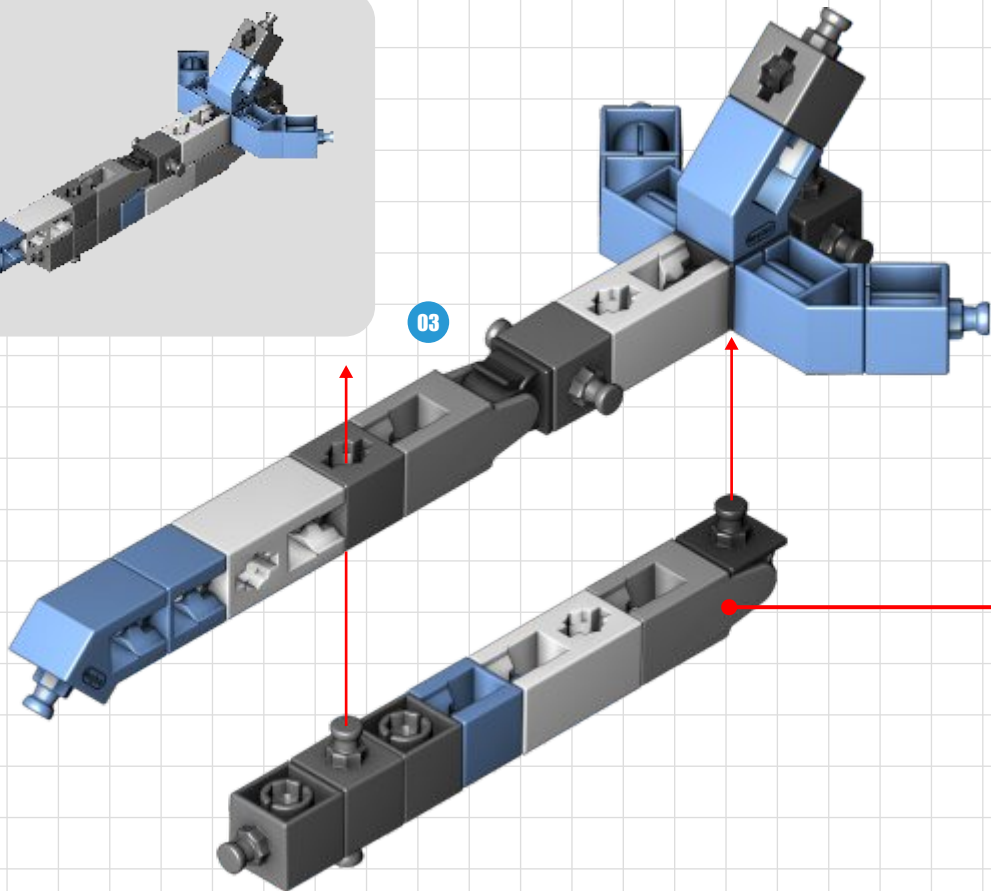
03



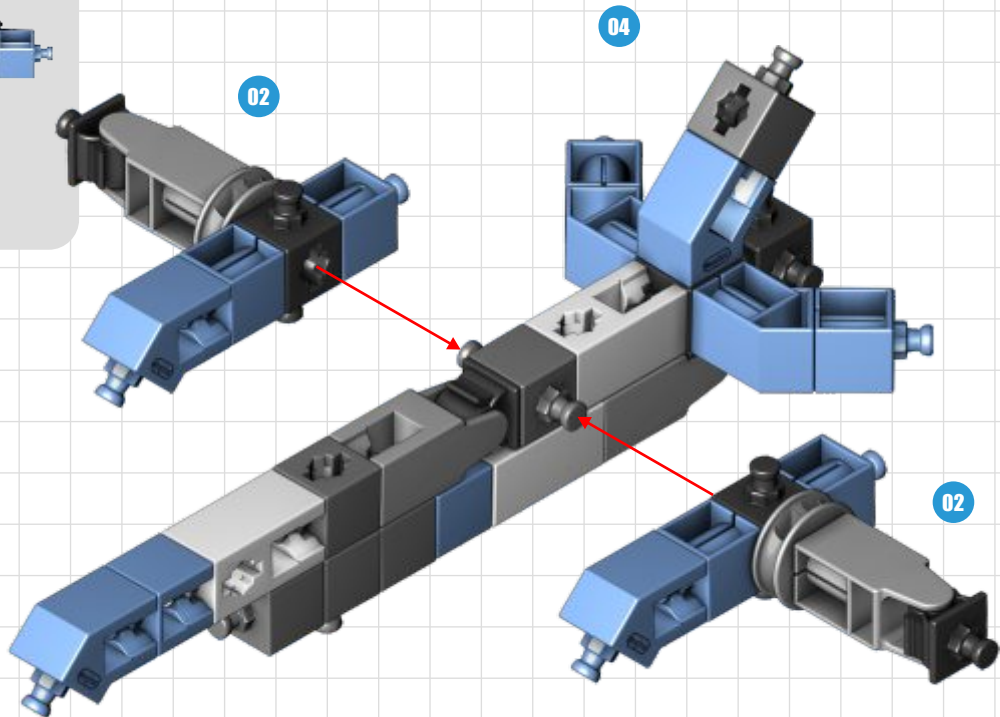
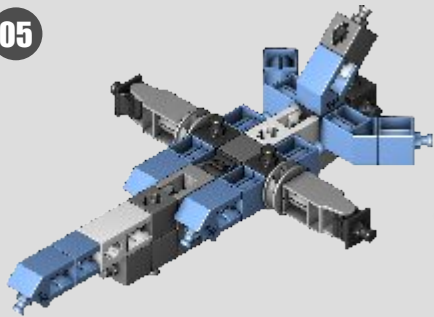
04

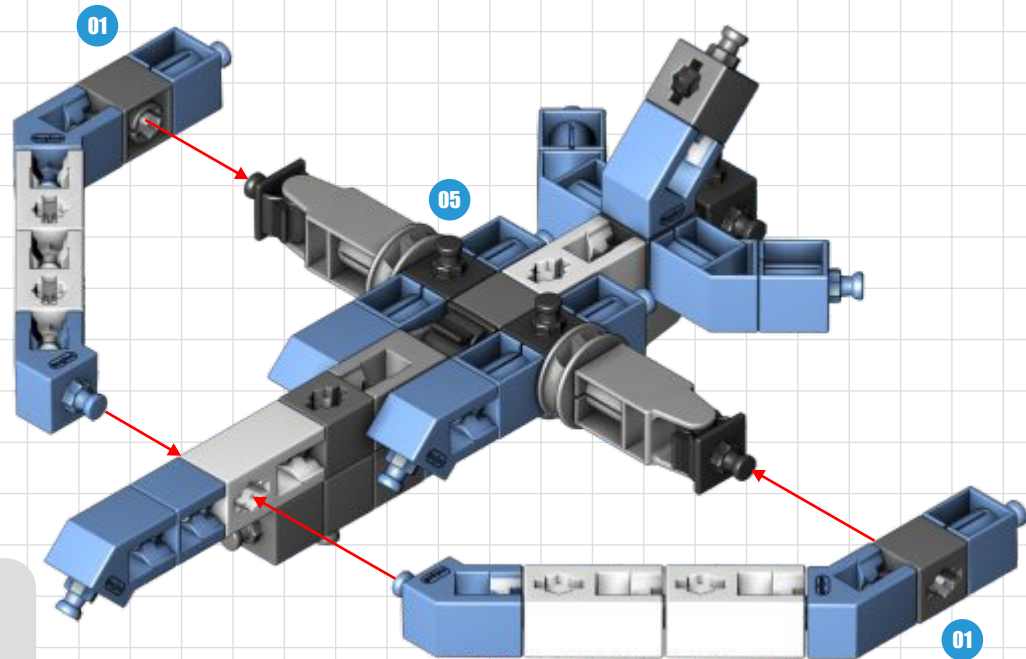


03



05







x4



x2



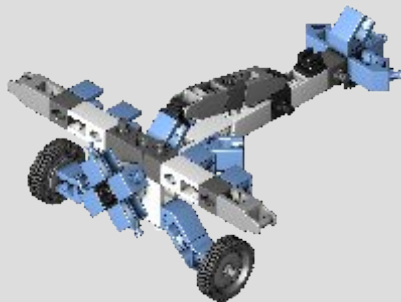
x2



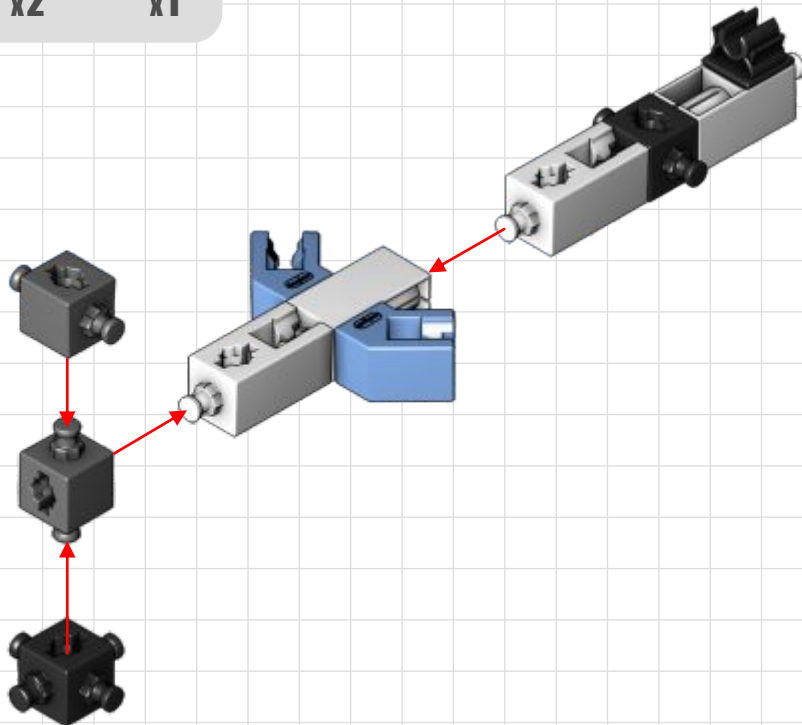
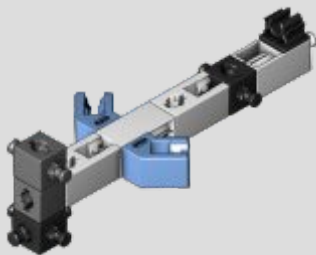
x2



x1



01





x1



x1



x1

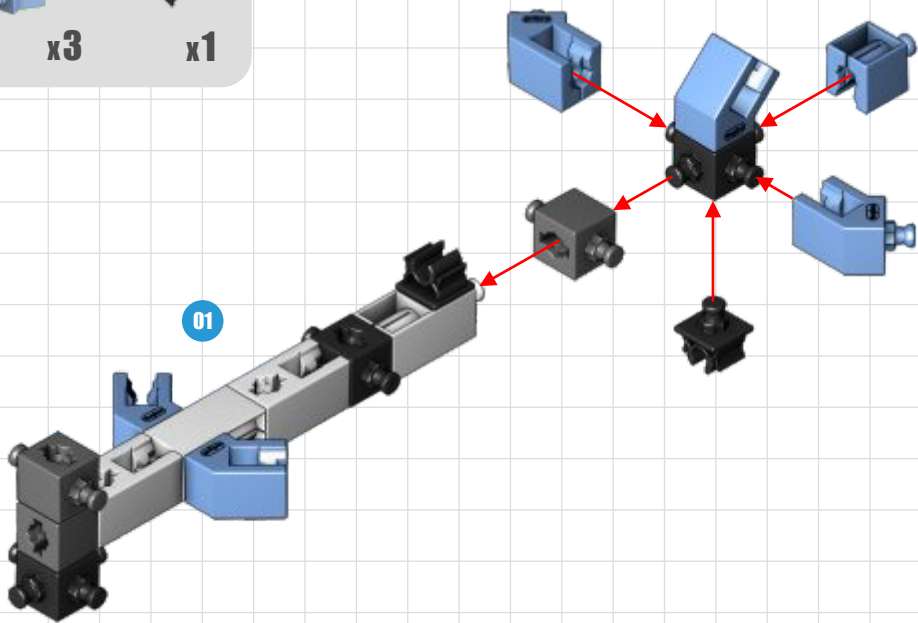


x3

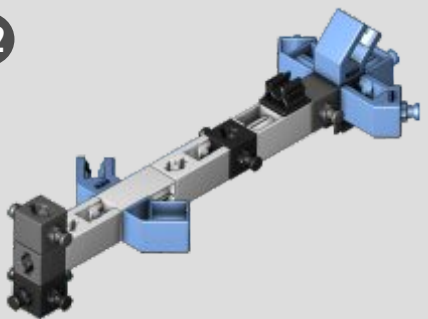


x1

01



02





x2



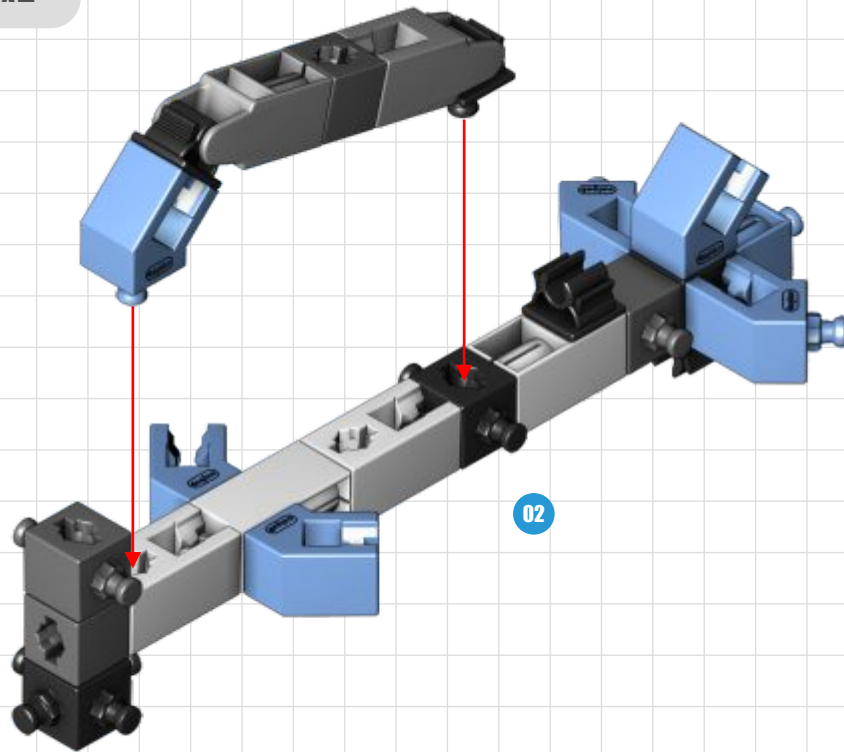
x1



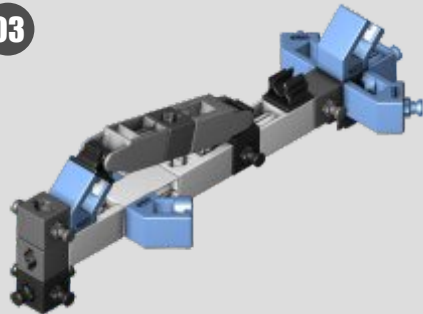
x1



x2



03





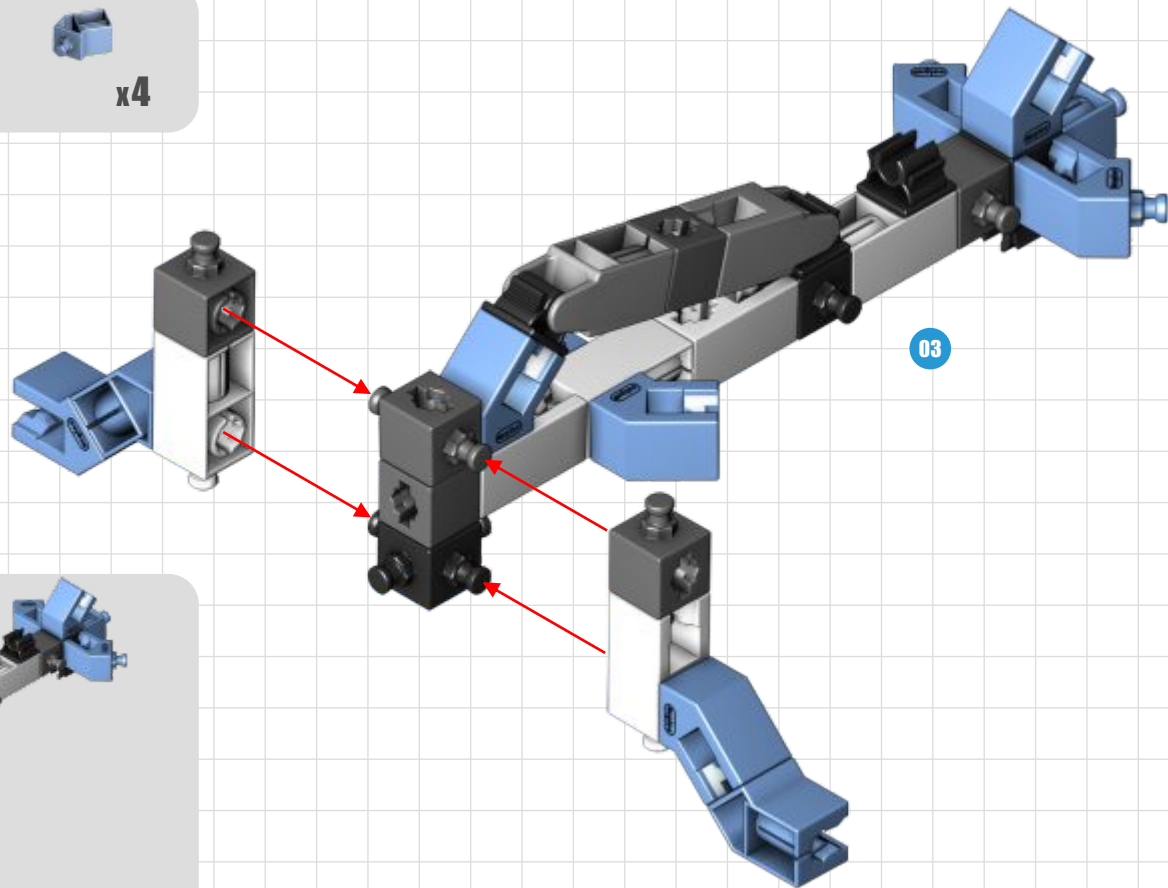
x2



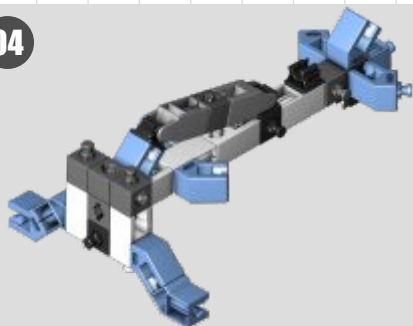
x2



x4



04





x2



x2



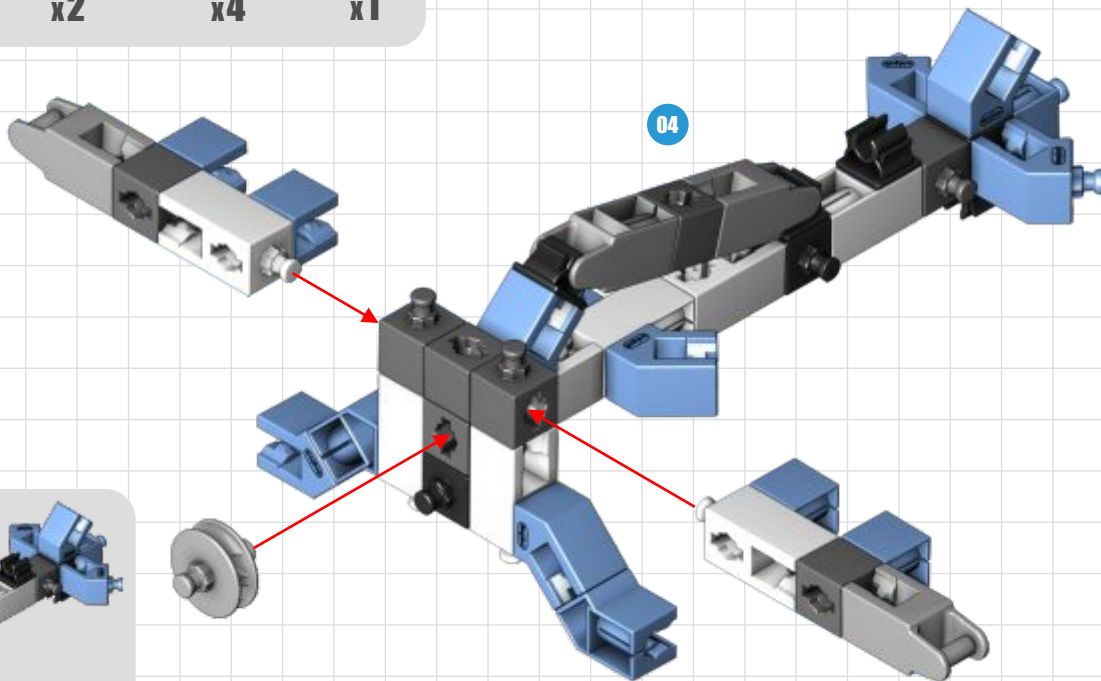
x2



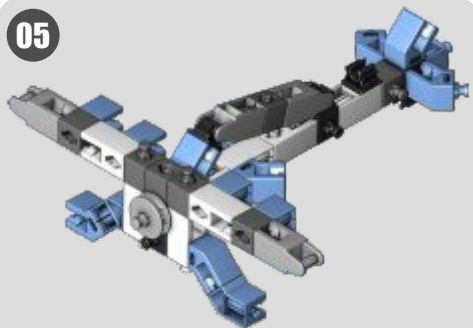
x4



x1



05



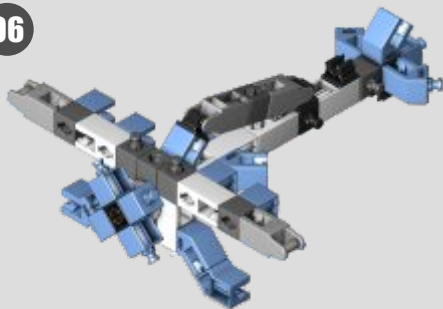


x4

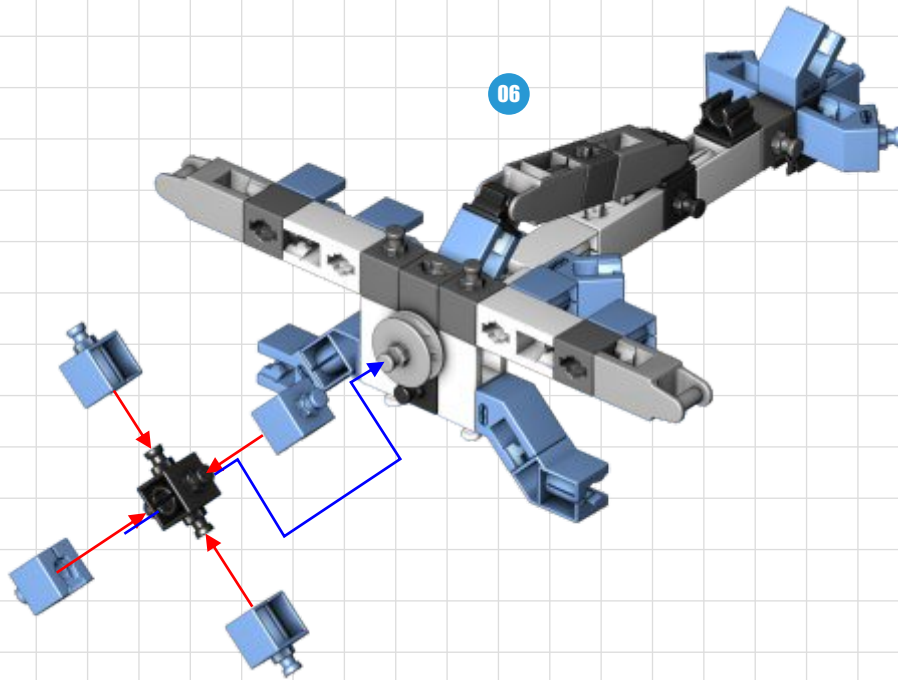


x1

06



06



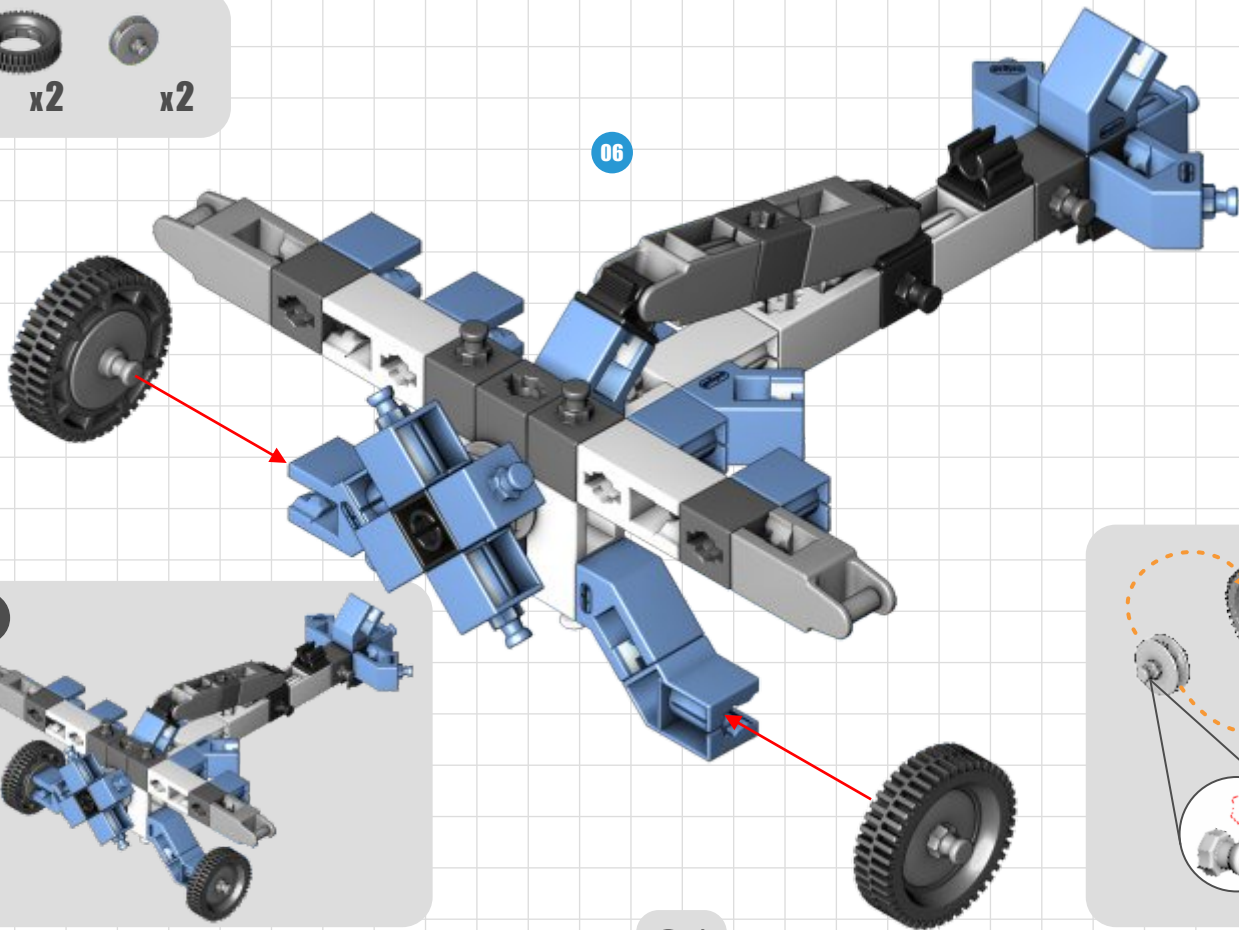


x2

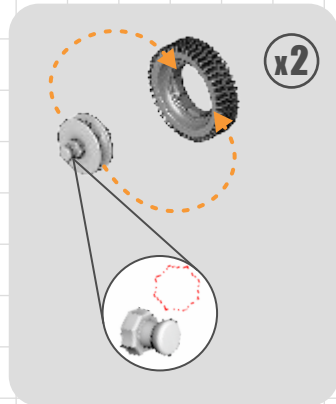
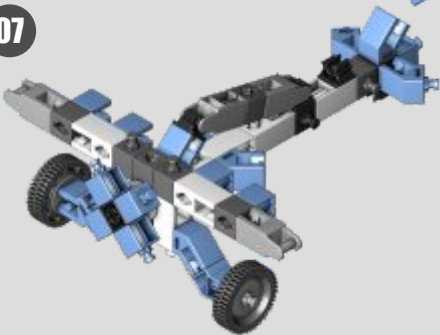


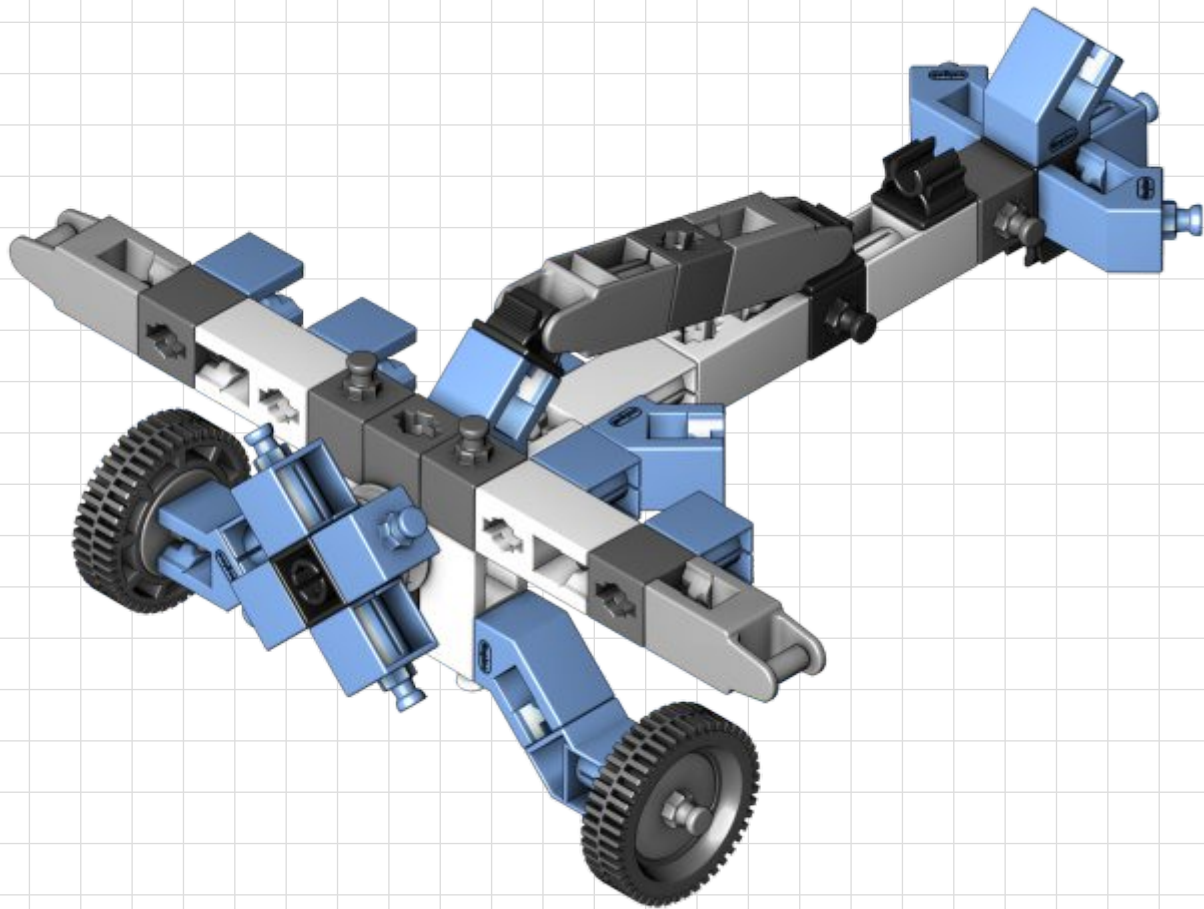
x2

06



07







x1



x1



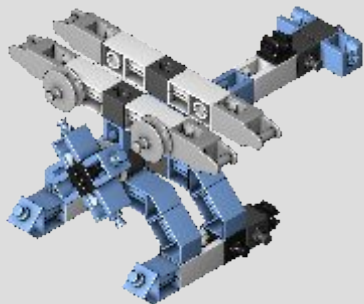
x1



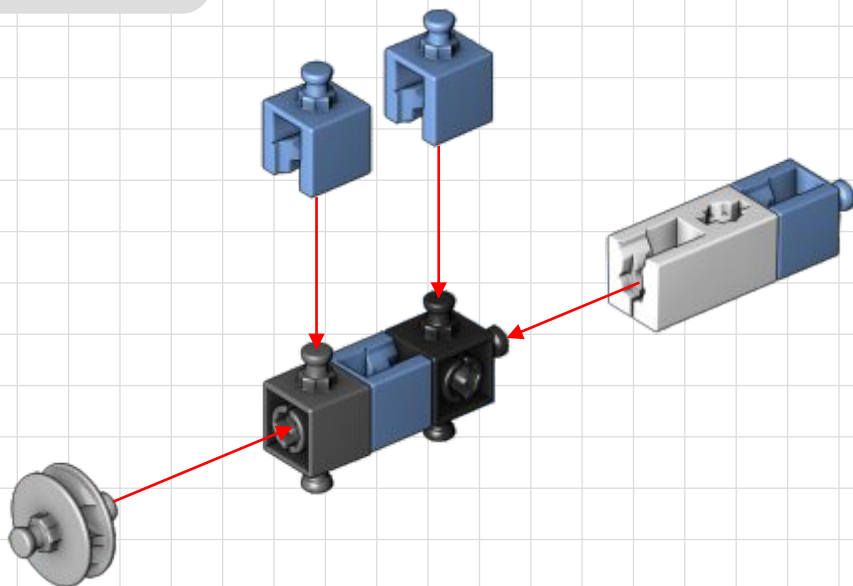
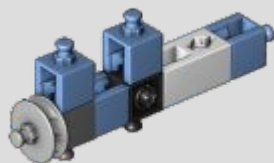
x4



x1



01





x1



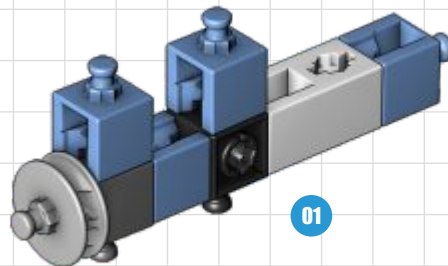
x2



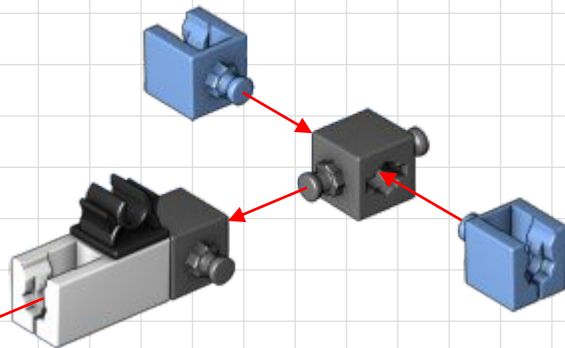
x2



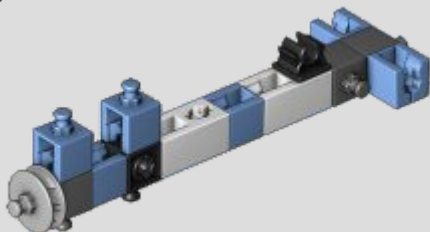
x1



01



02



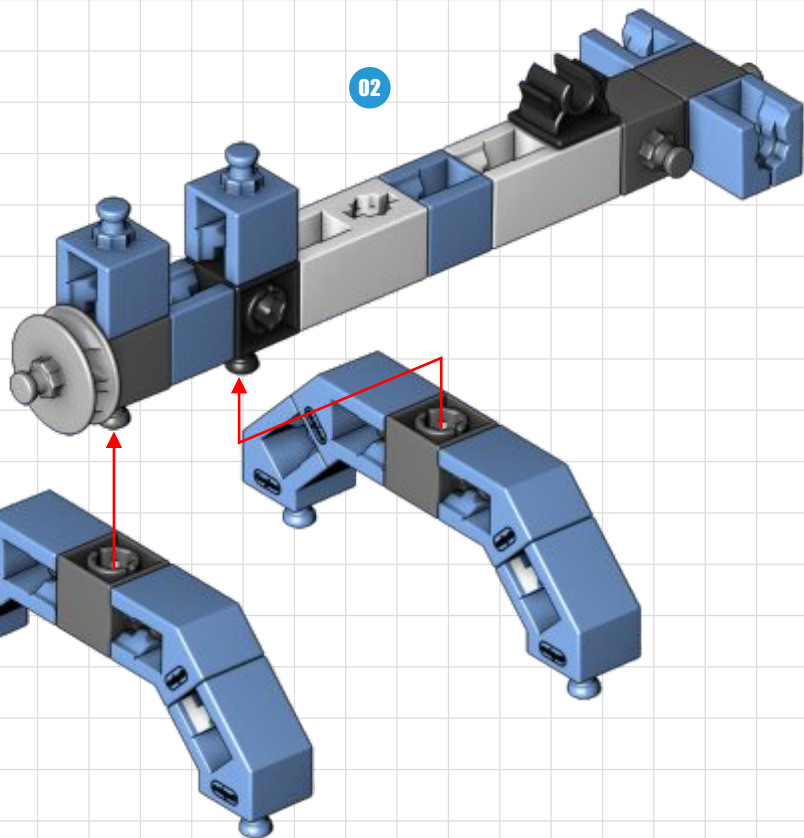


x2

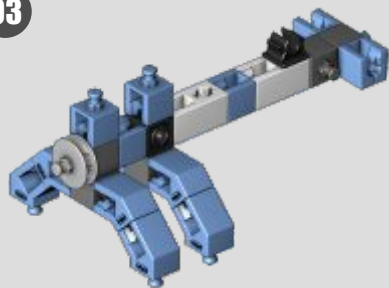


x8

02



03





x2



x2



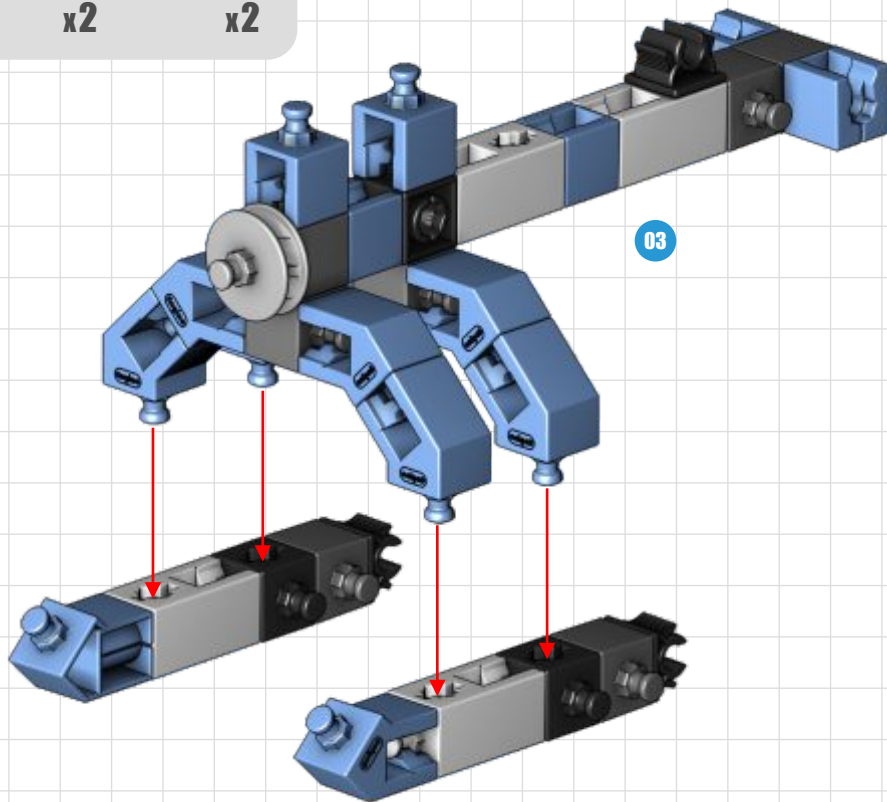
x2



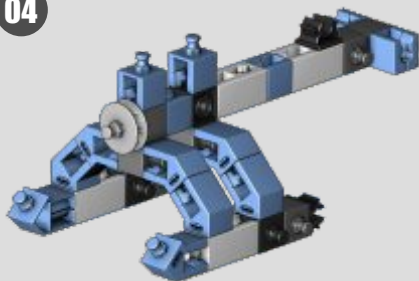
x2



x2



04





x4



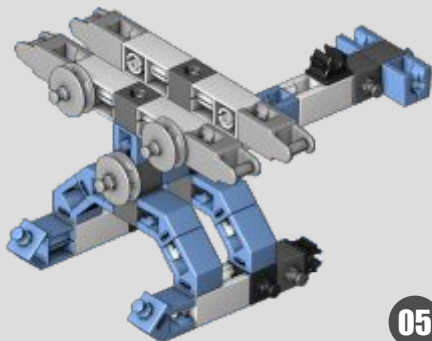
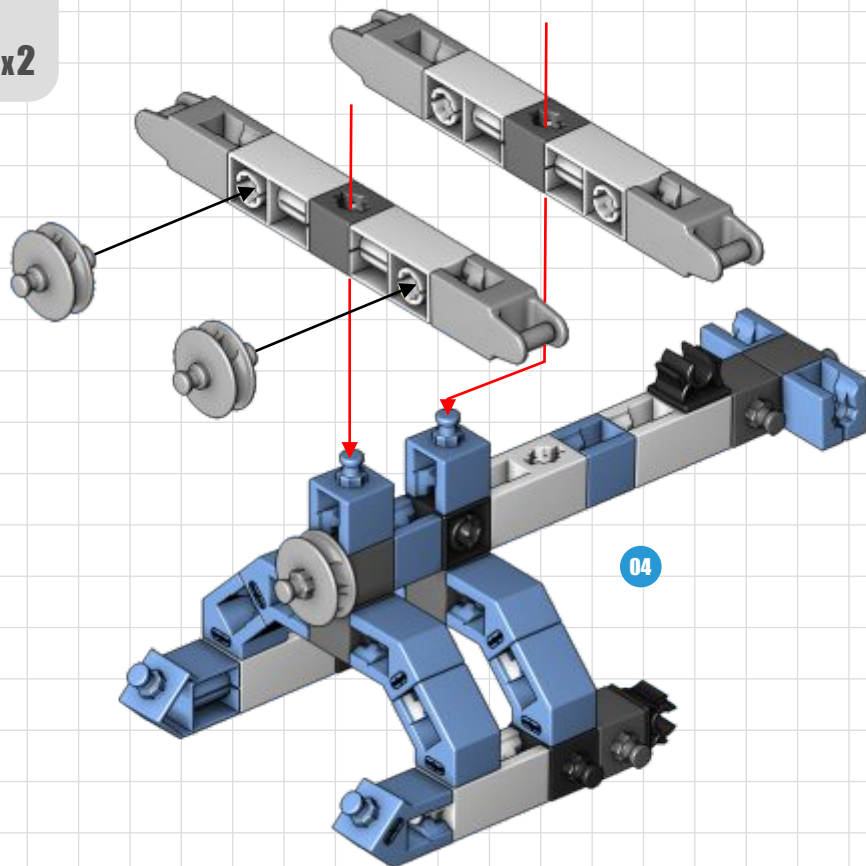
x4



x2



x2

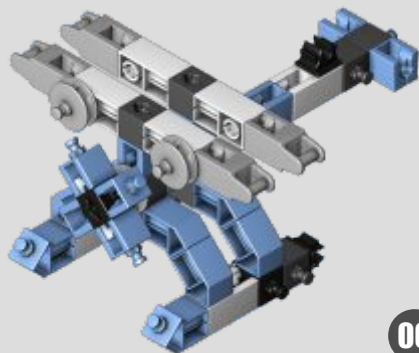
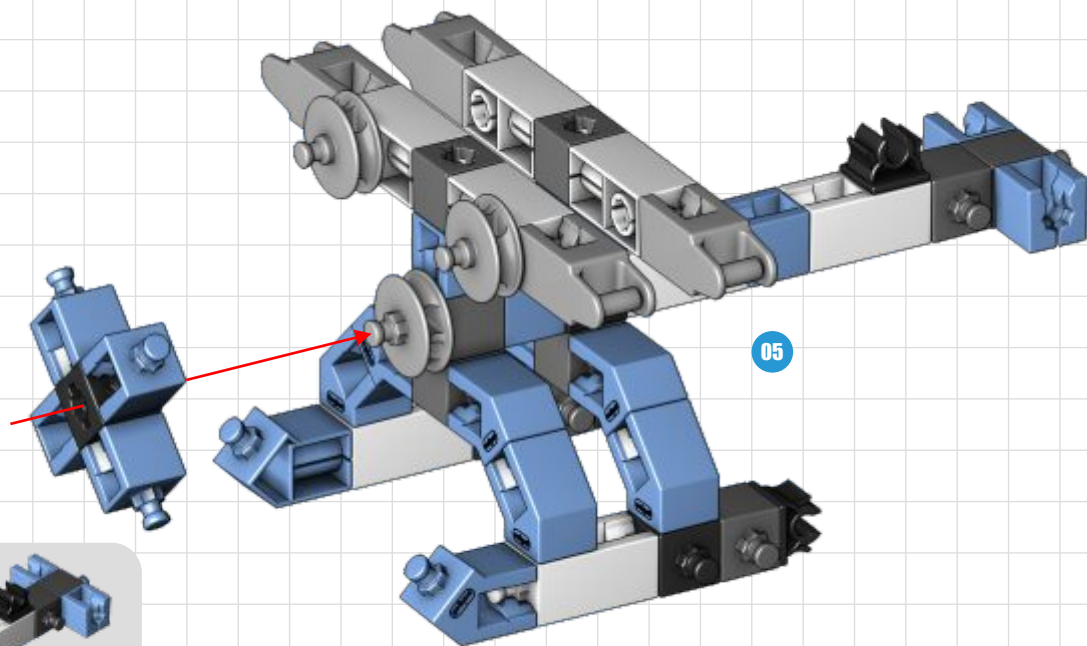




x1



x4





x4



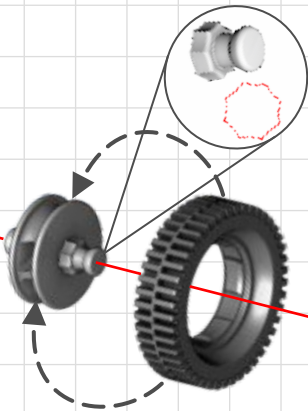
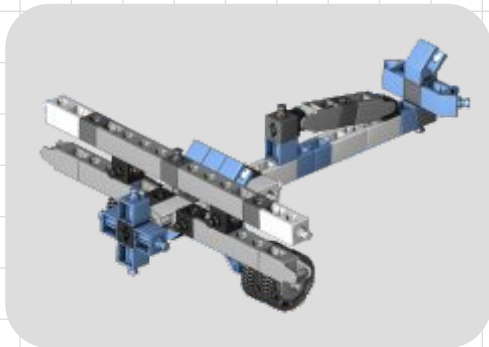
x2



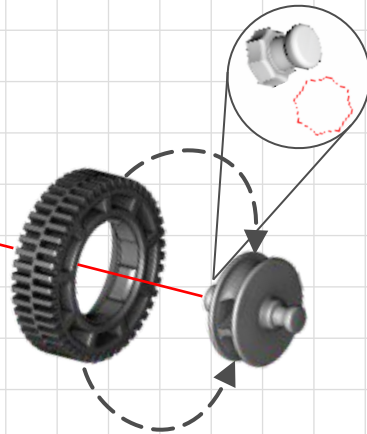
x4



x4

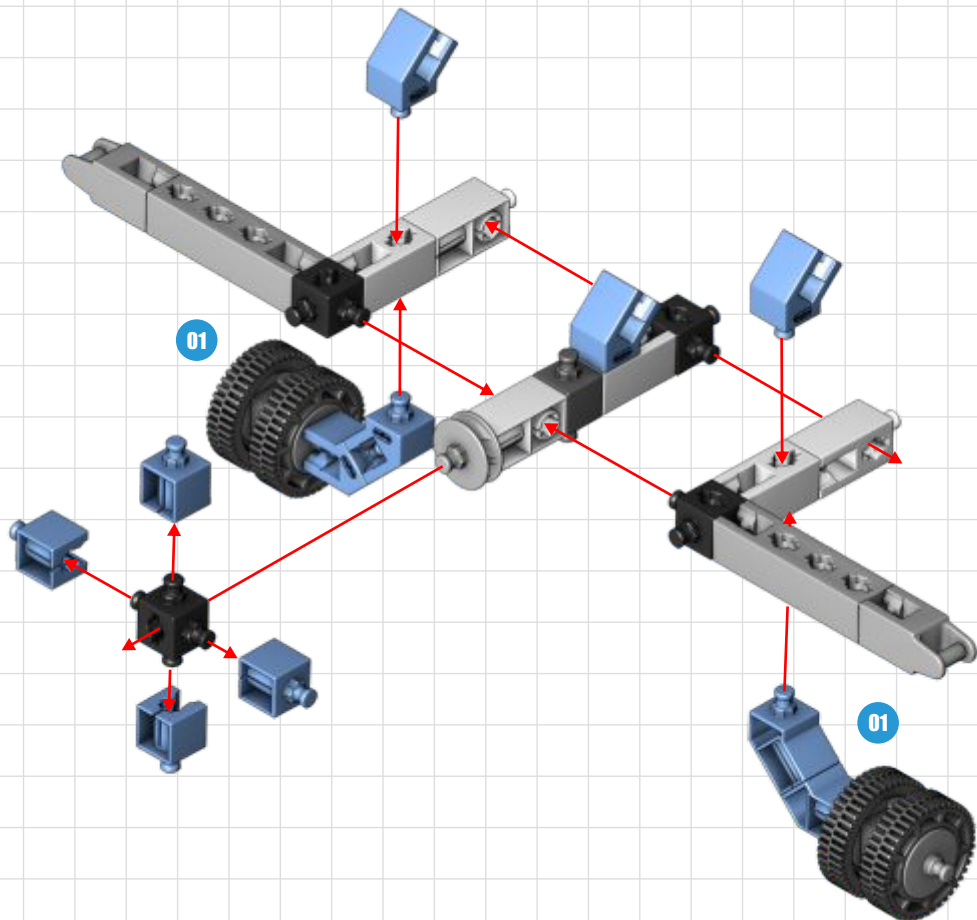
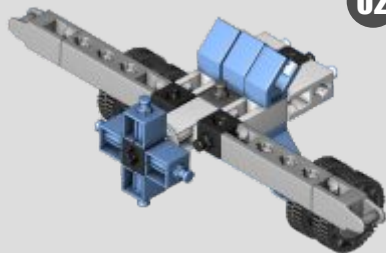


x2



01







x2

x5



x2



x2



x4



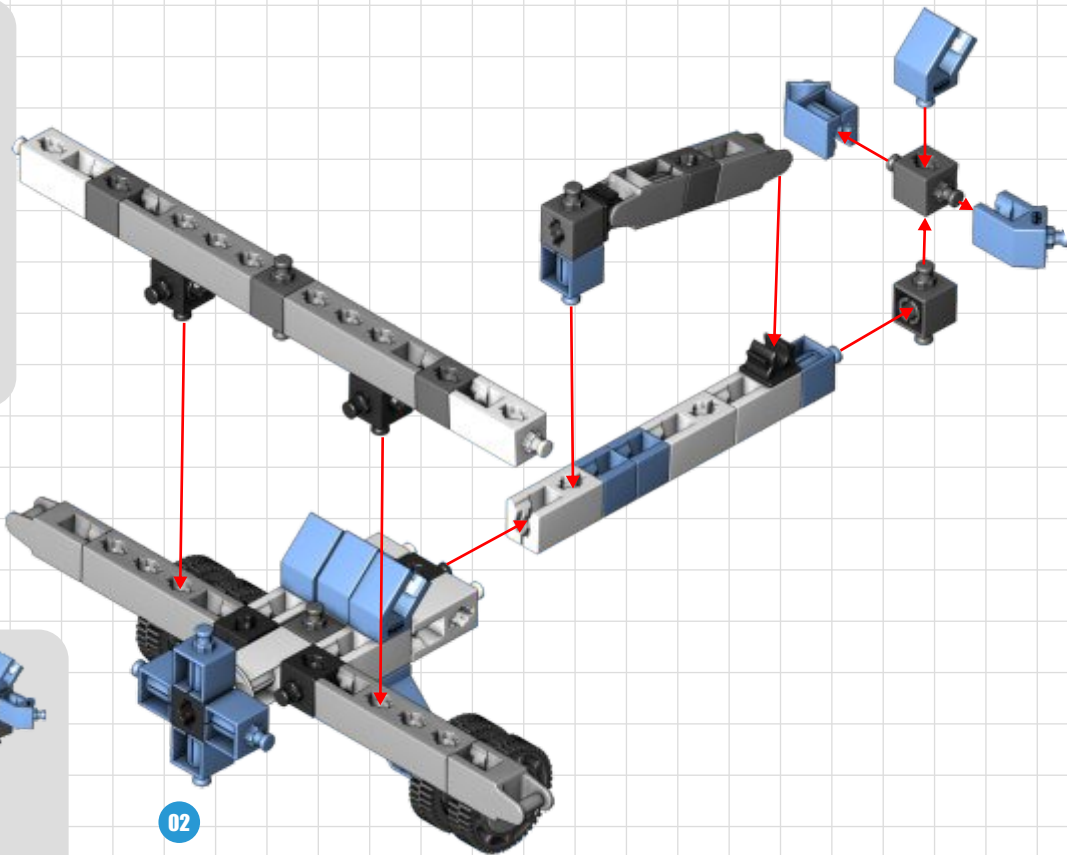
x3



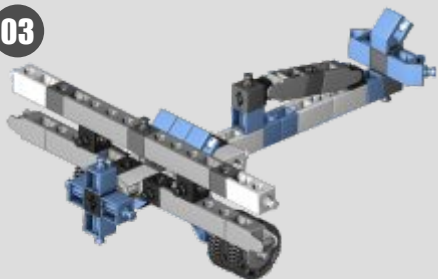
x2



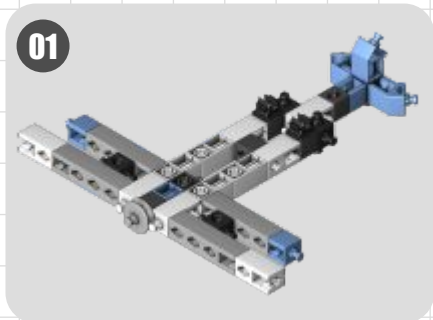
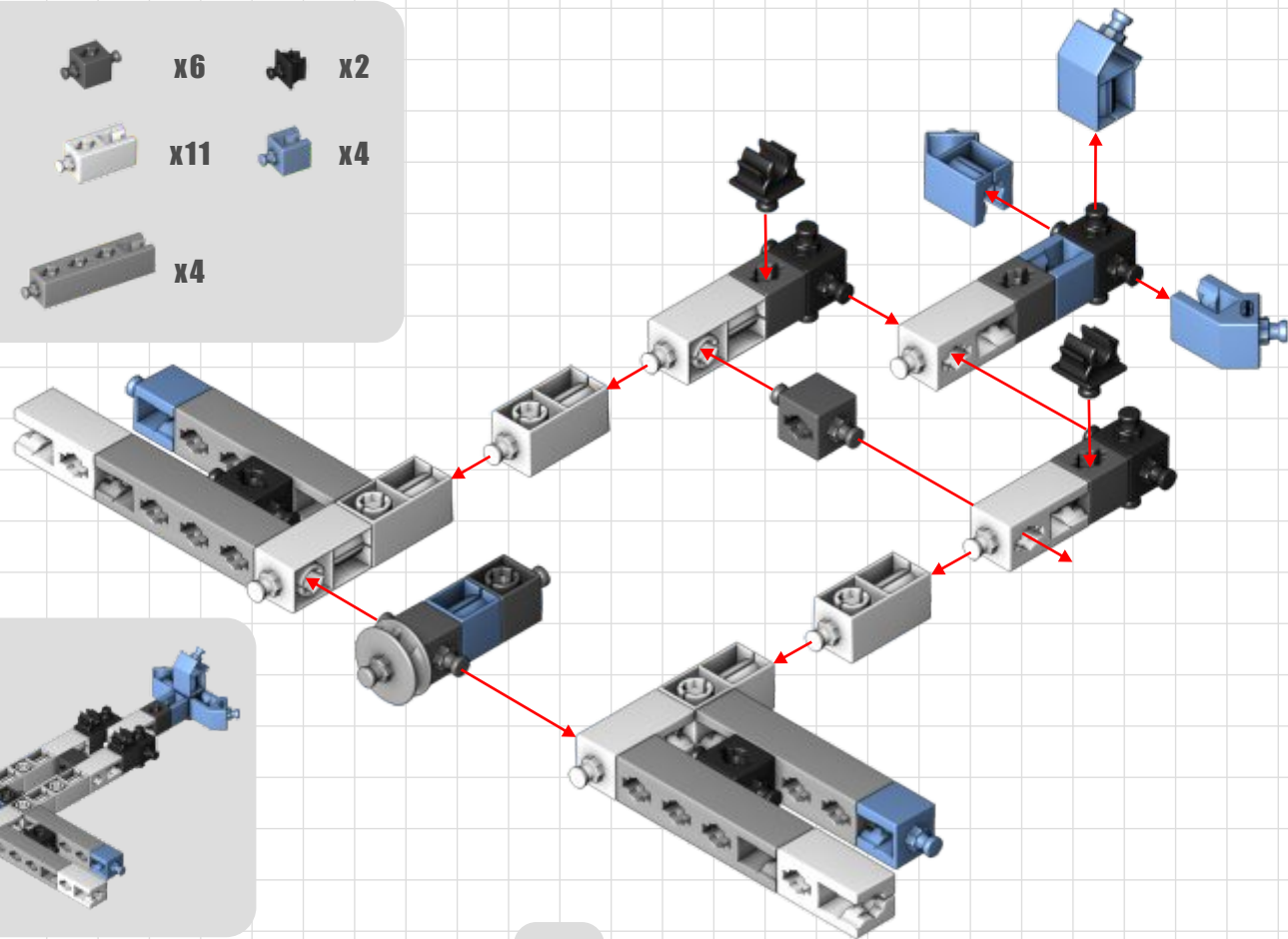
x7



03



- | | | |
|--|---|--|
|  x1 |  x6 |  x2 |
|  x5 |  x11 |  x4 |
|  x3 |  x4 | |





x3



x3



x4



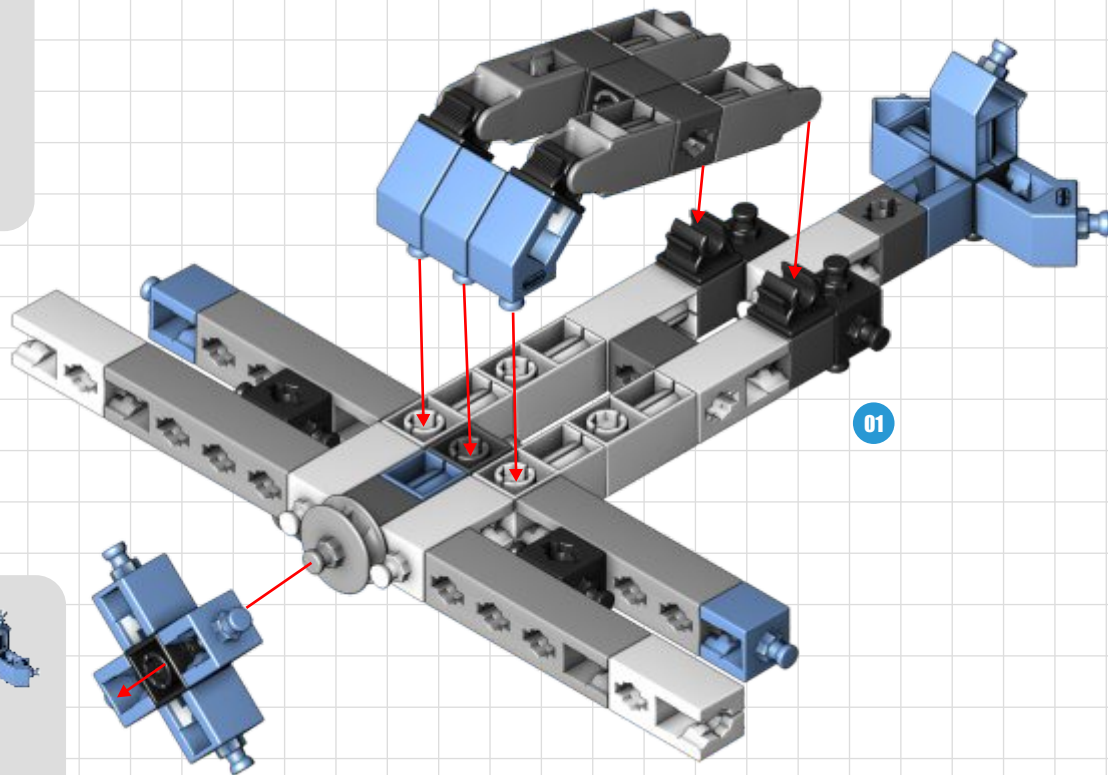
x1



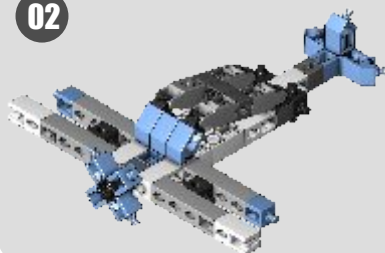
x2



x4



02





x4



x4

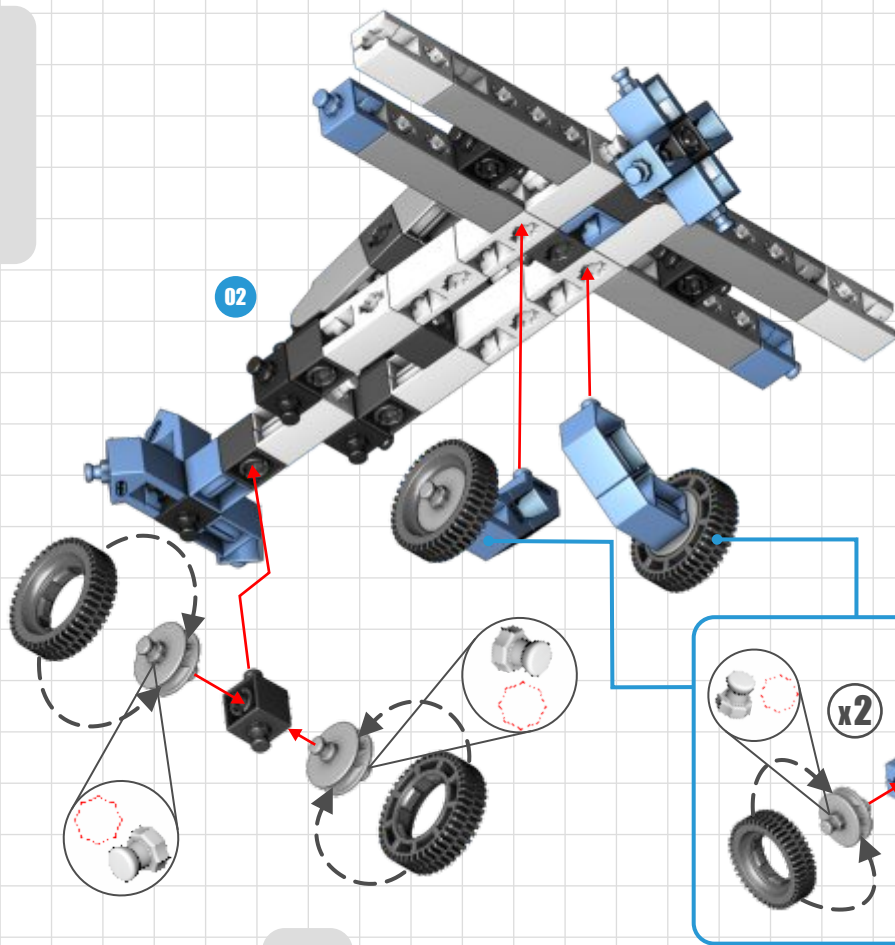


x1

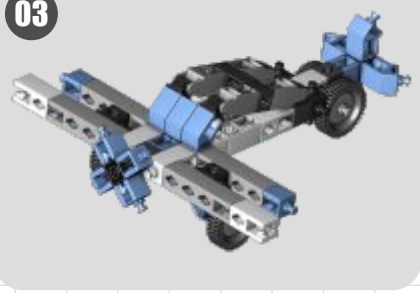


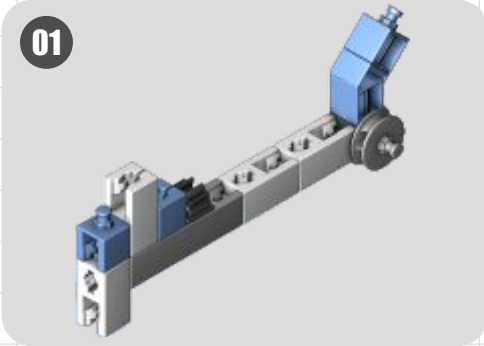
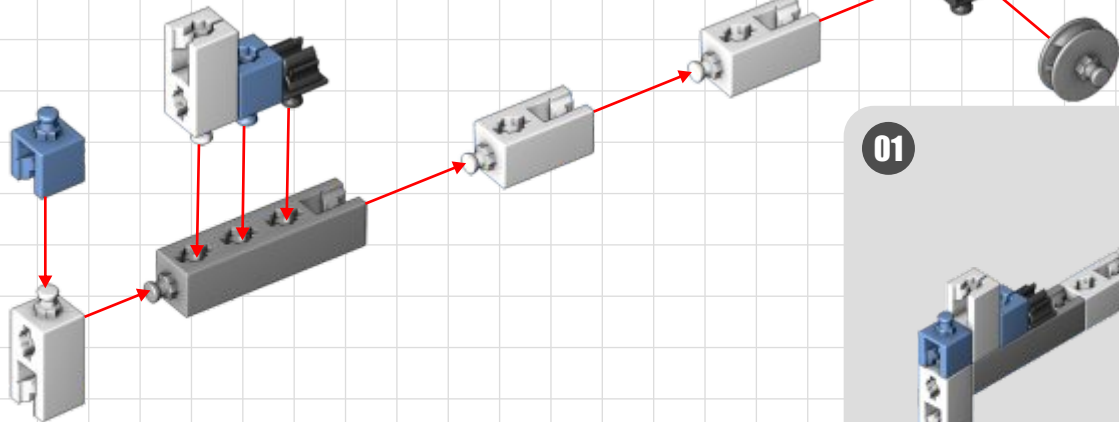
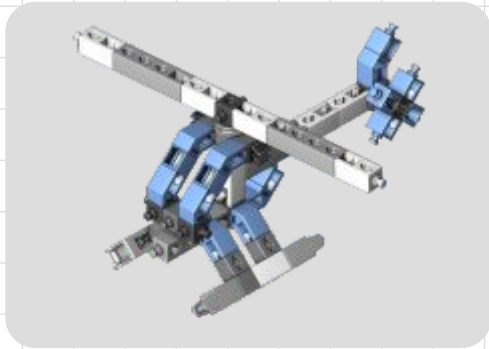
x4

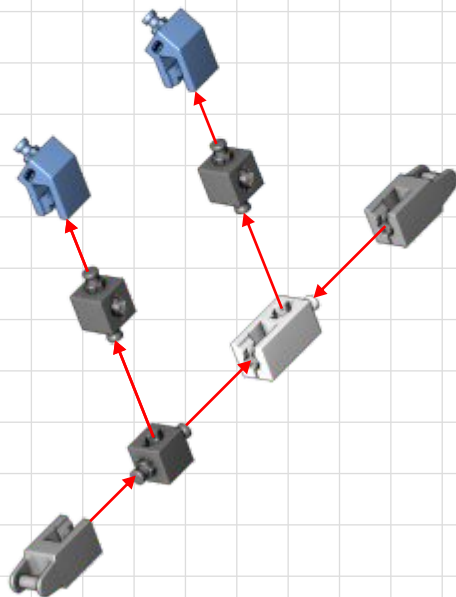
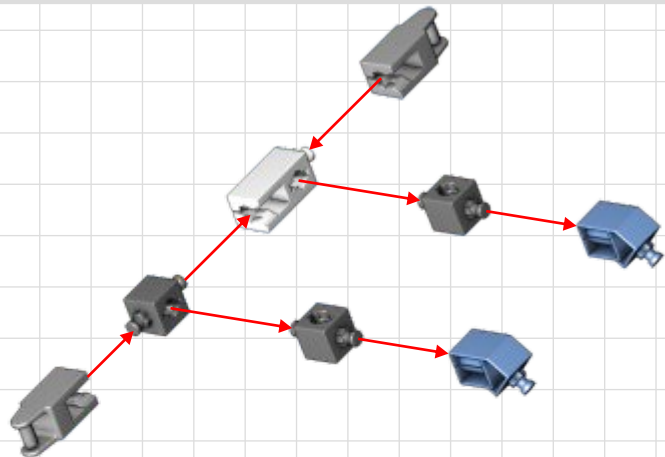
02



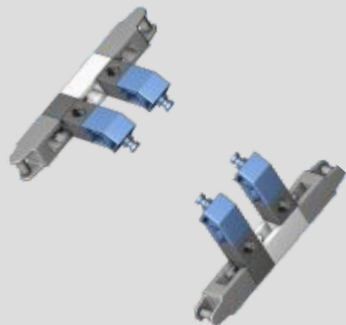
03



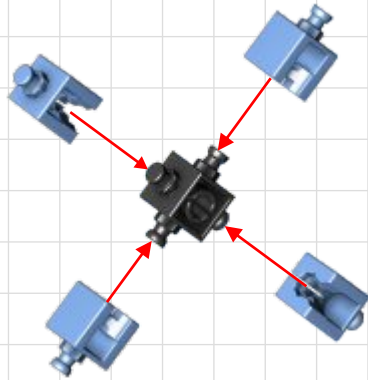
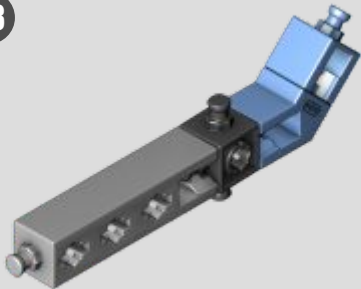




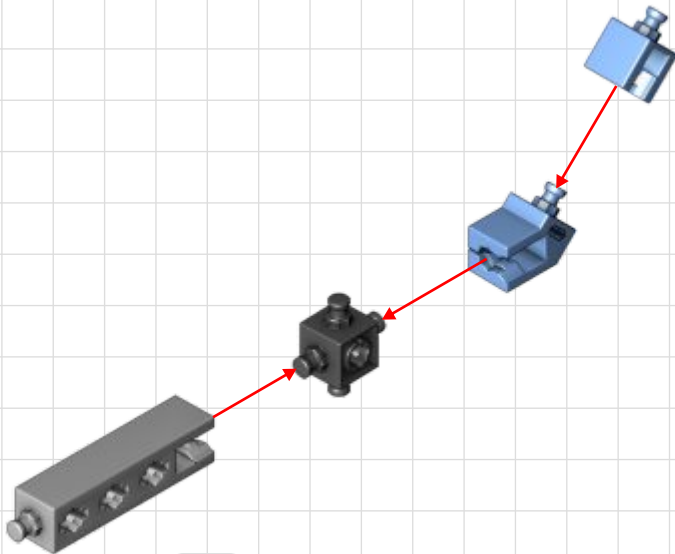
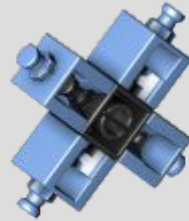
02



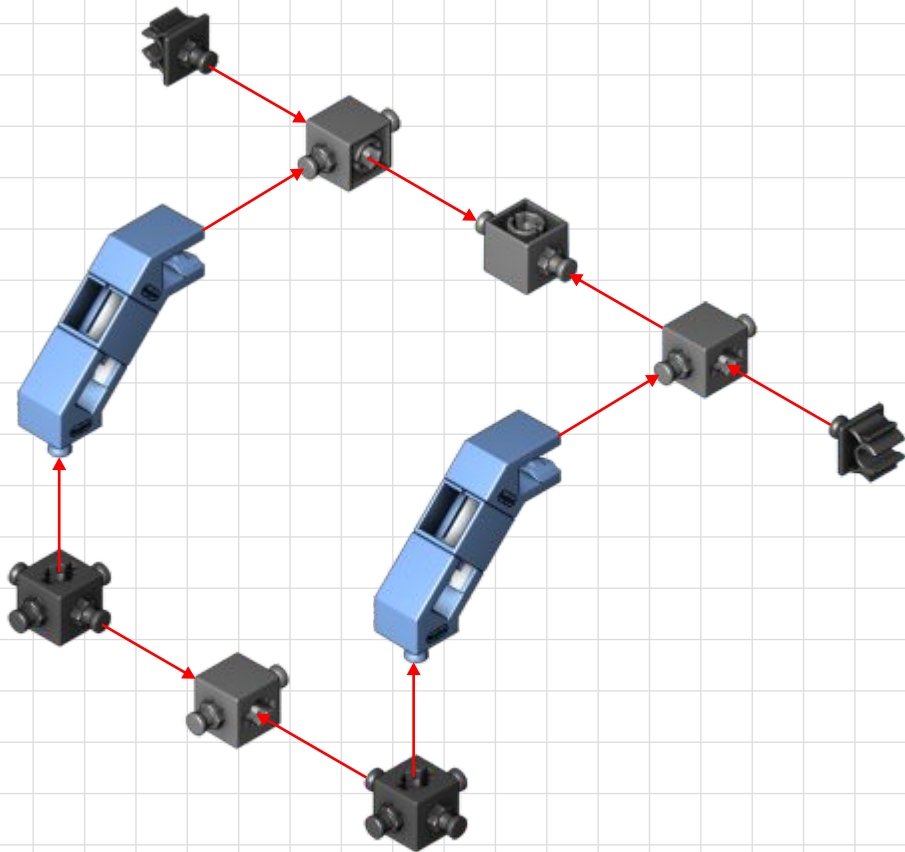
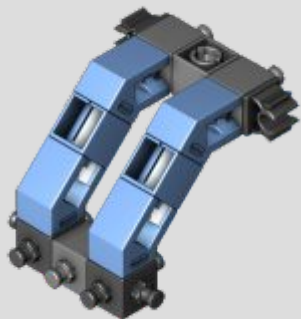
03

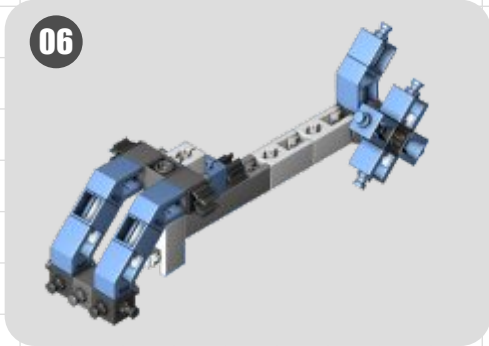
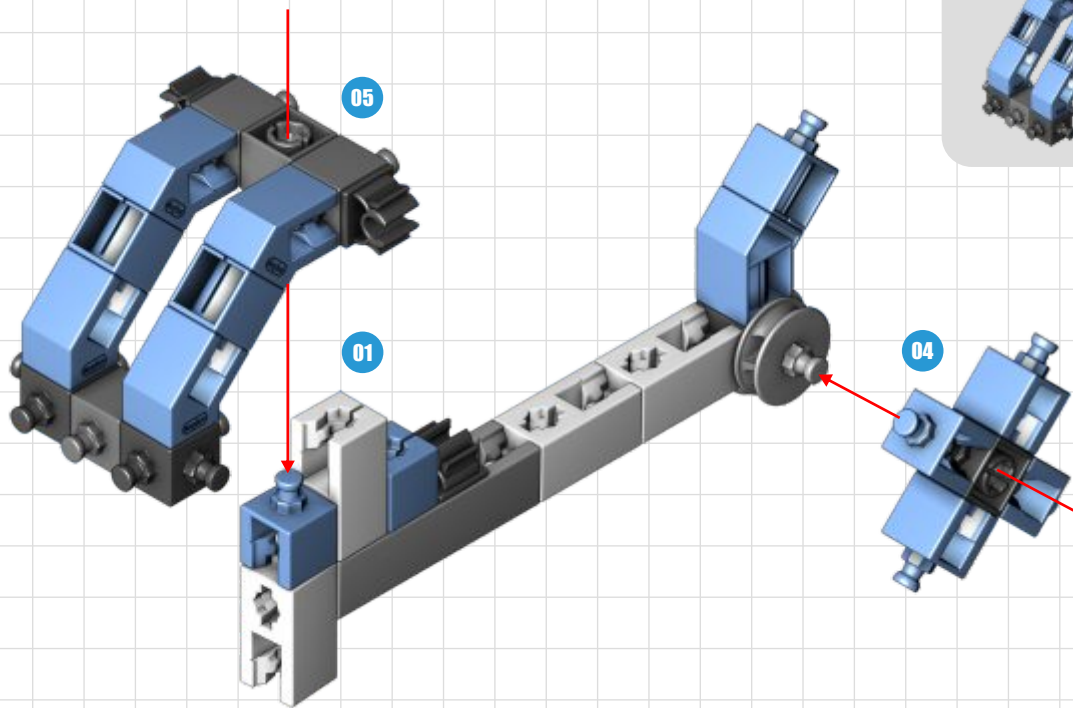


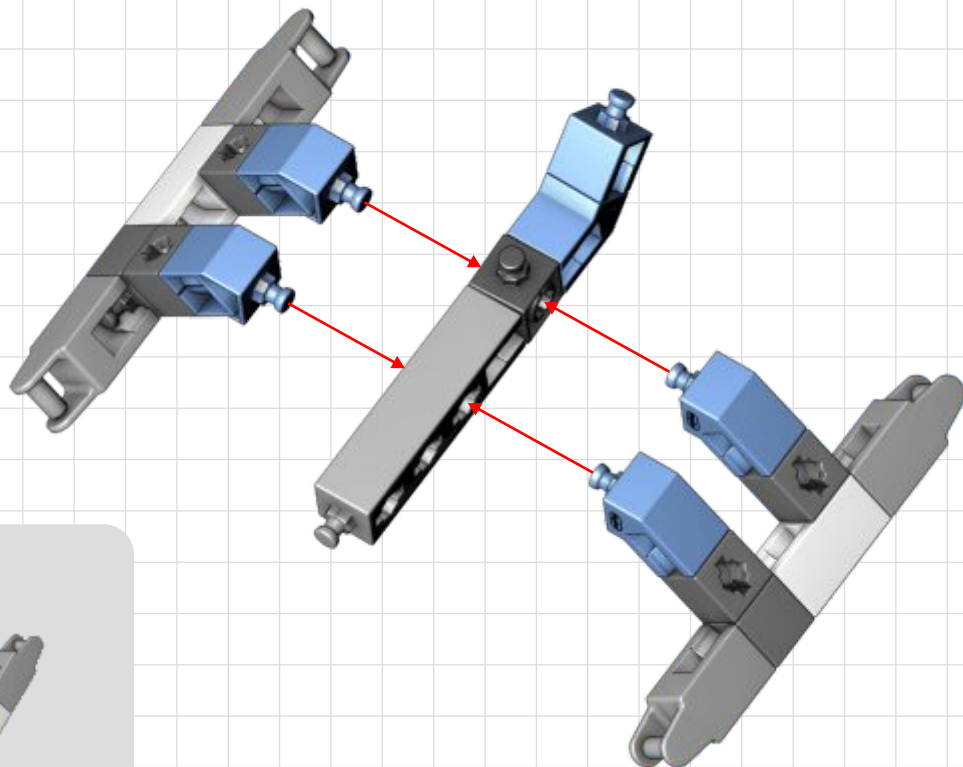
04



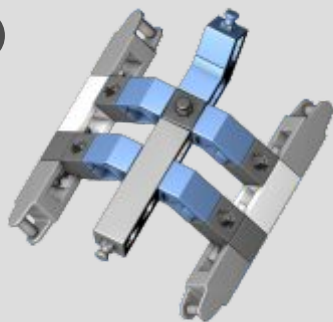
05

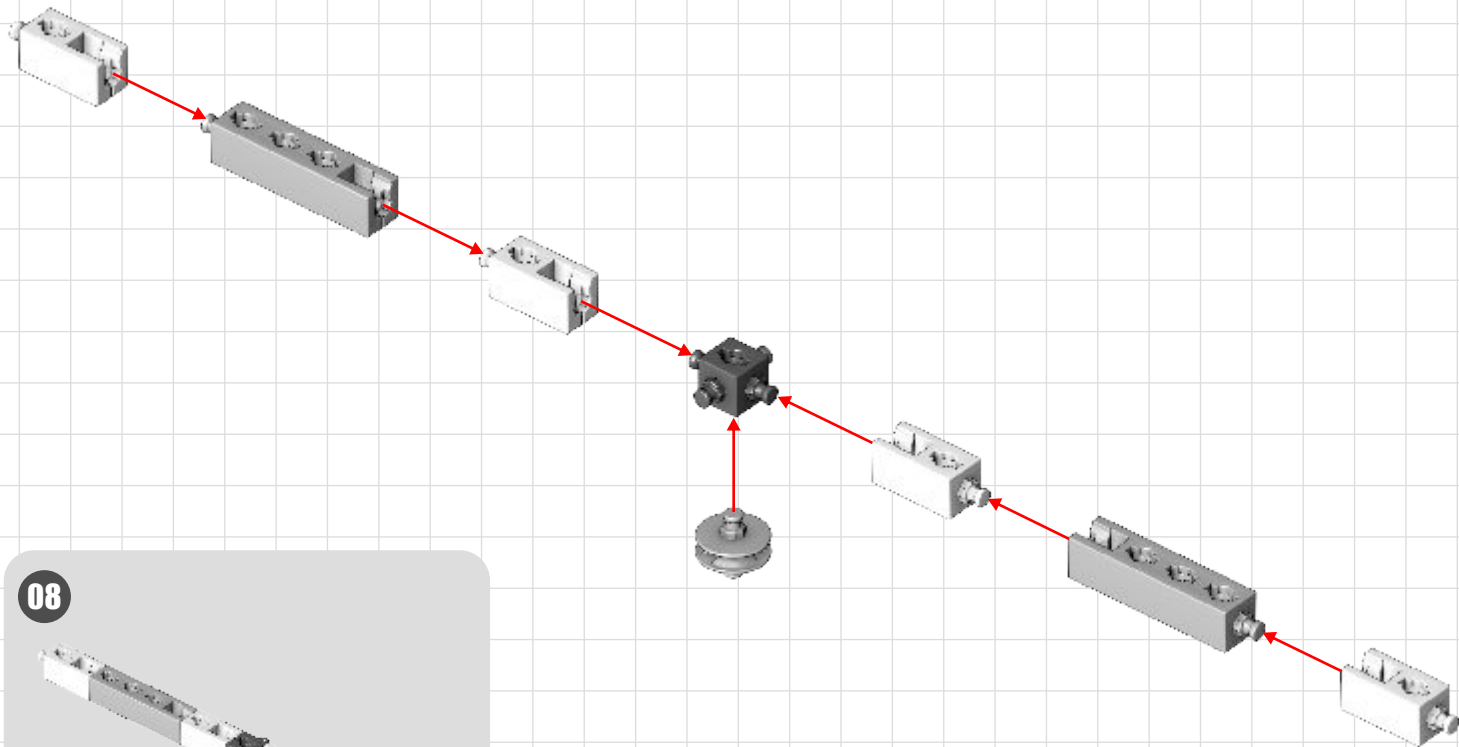




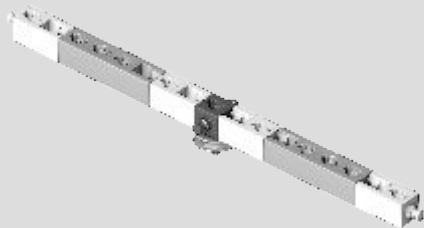


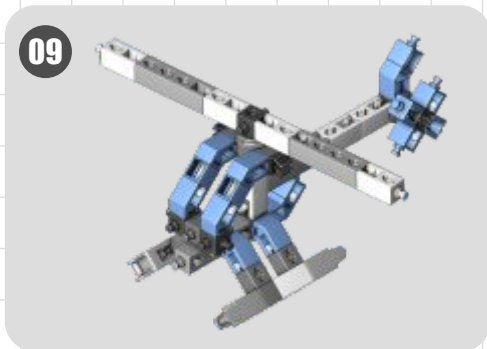
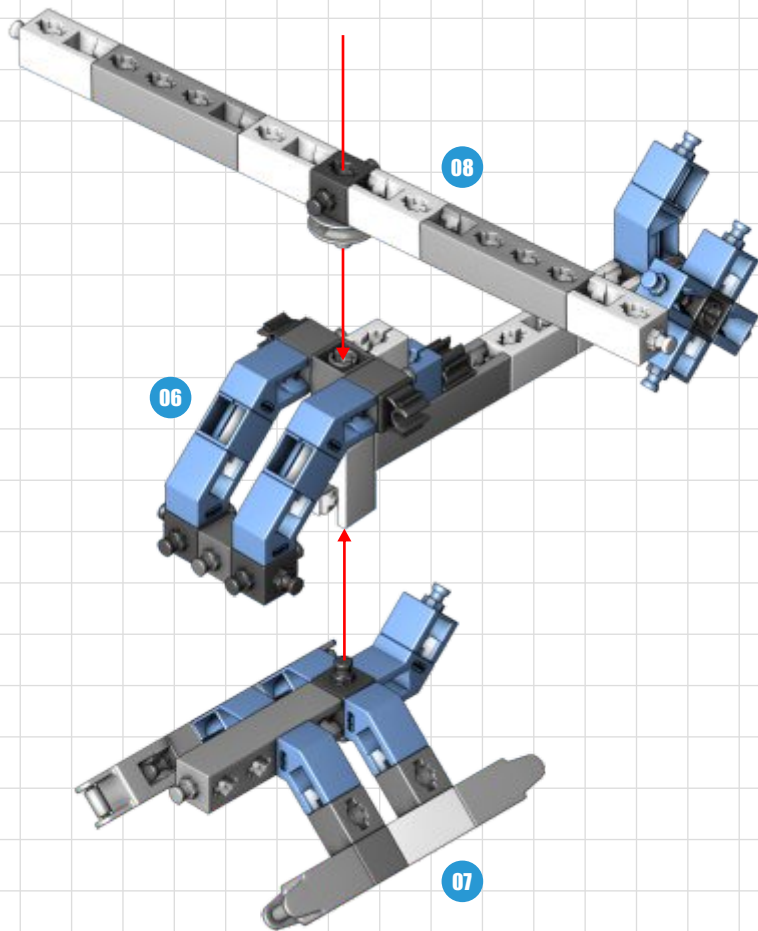
07

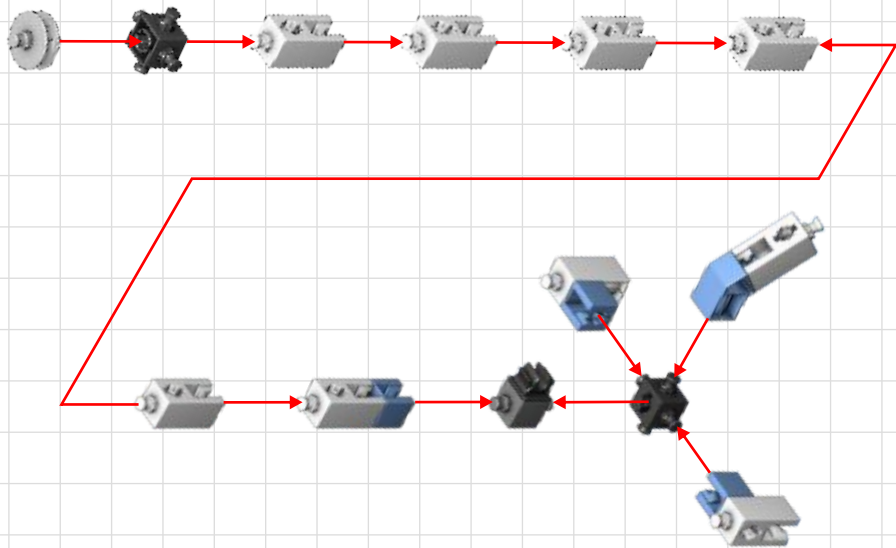
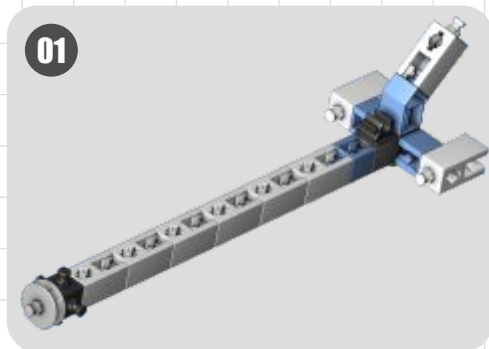




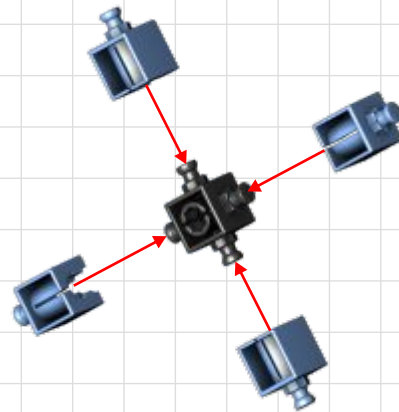
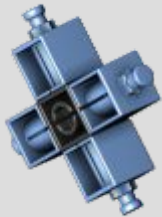
08



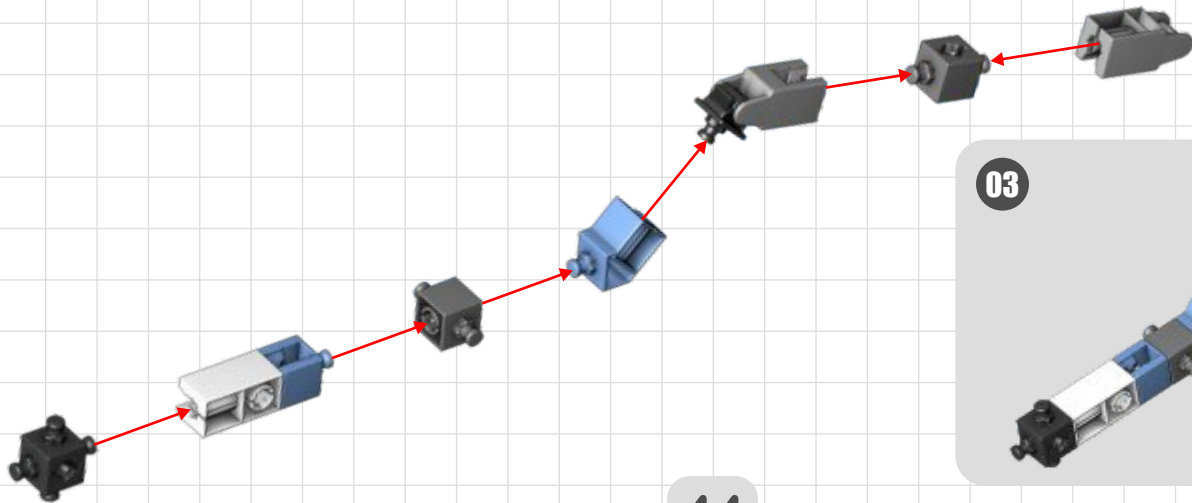
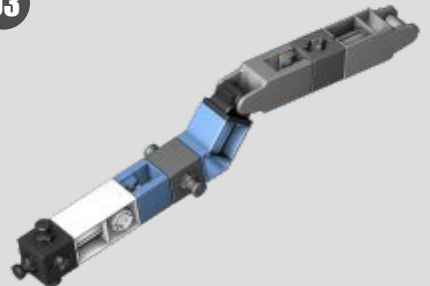


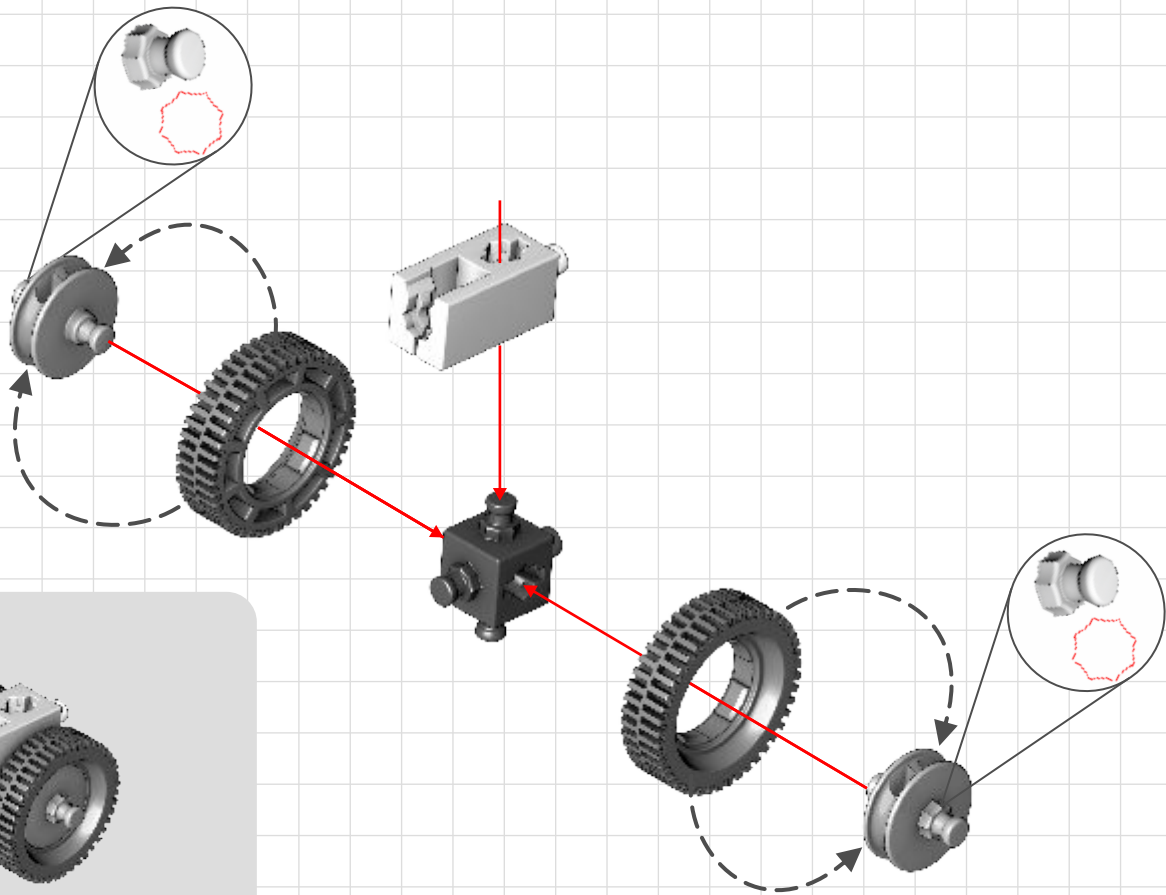


02



03

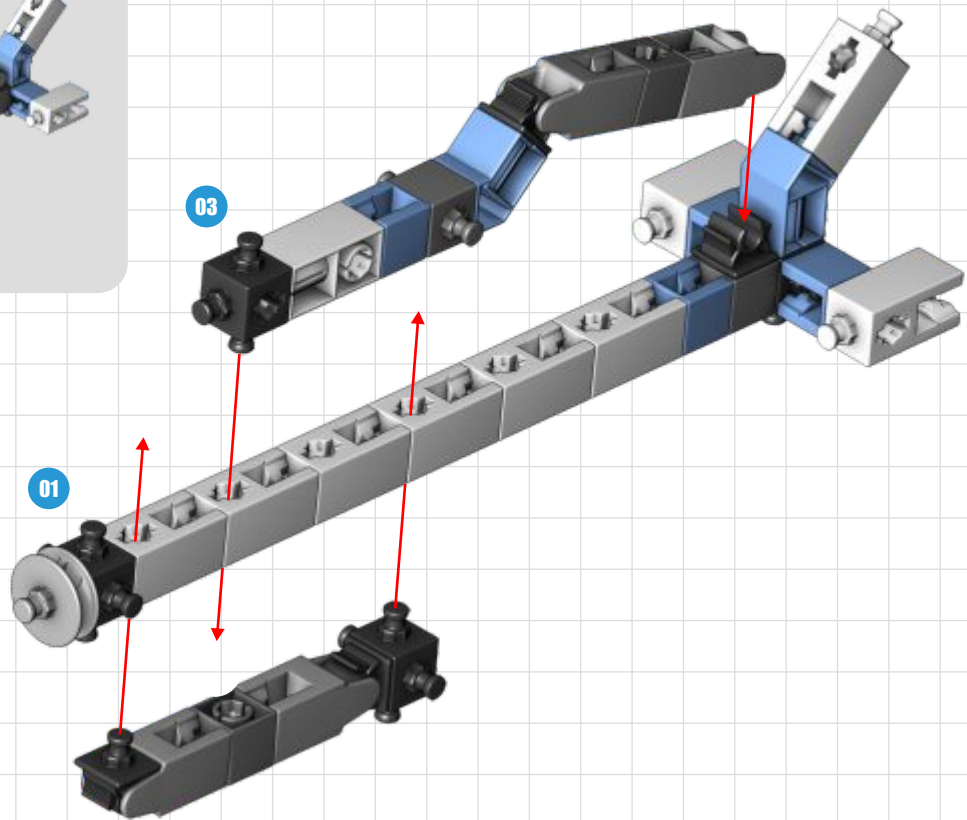
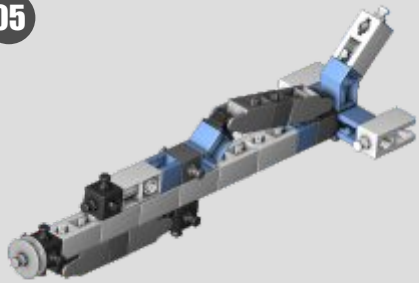




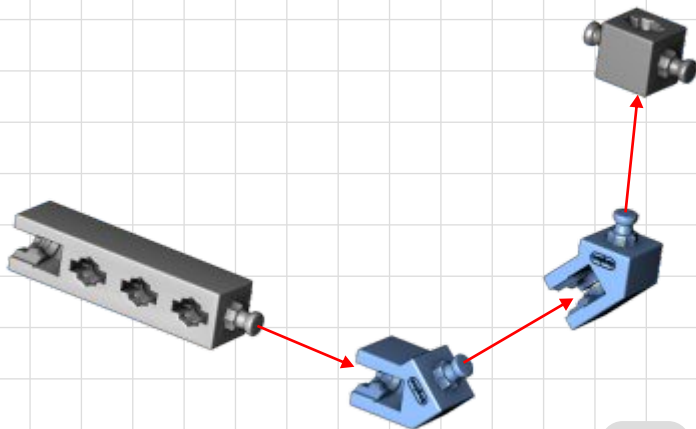
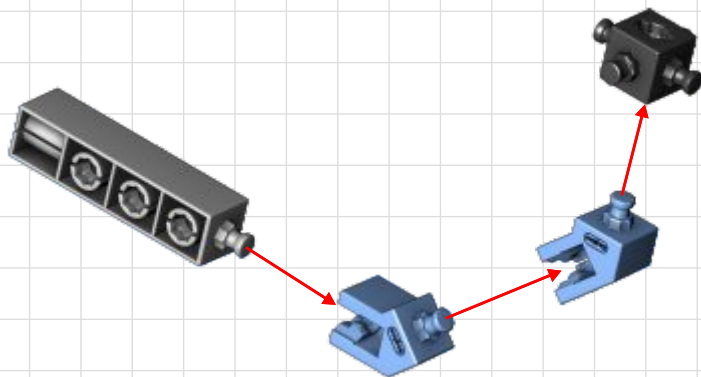
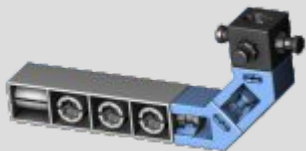
04



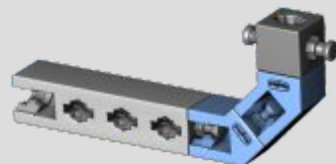
05

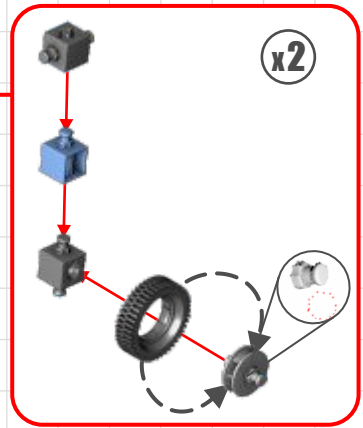
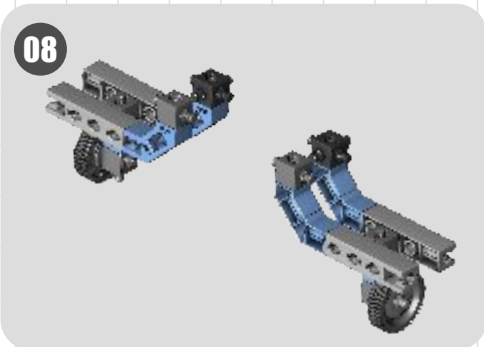
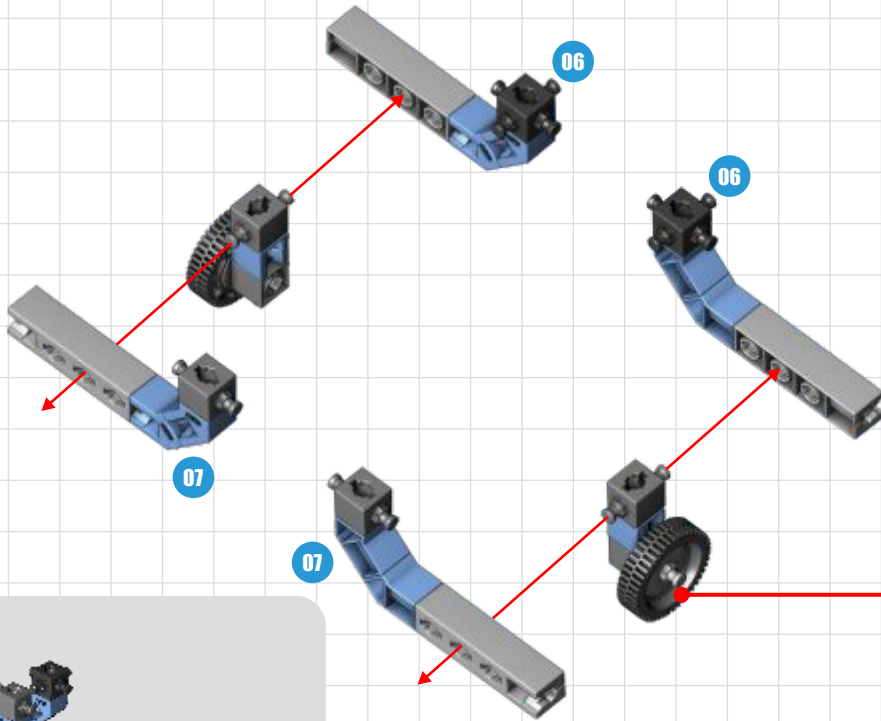


06 x2

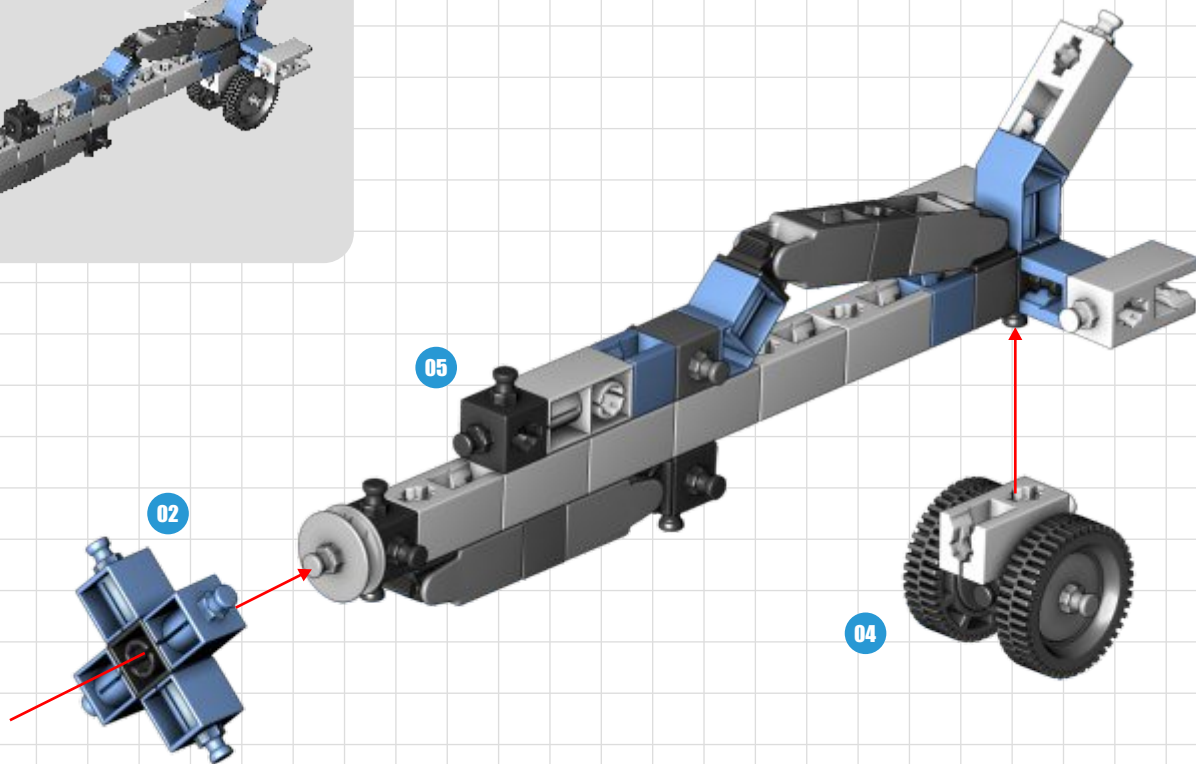
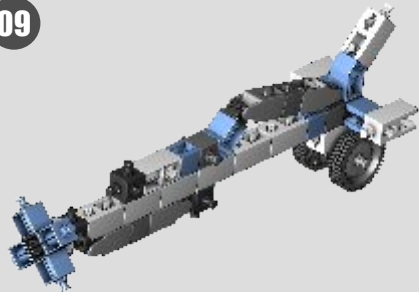


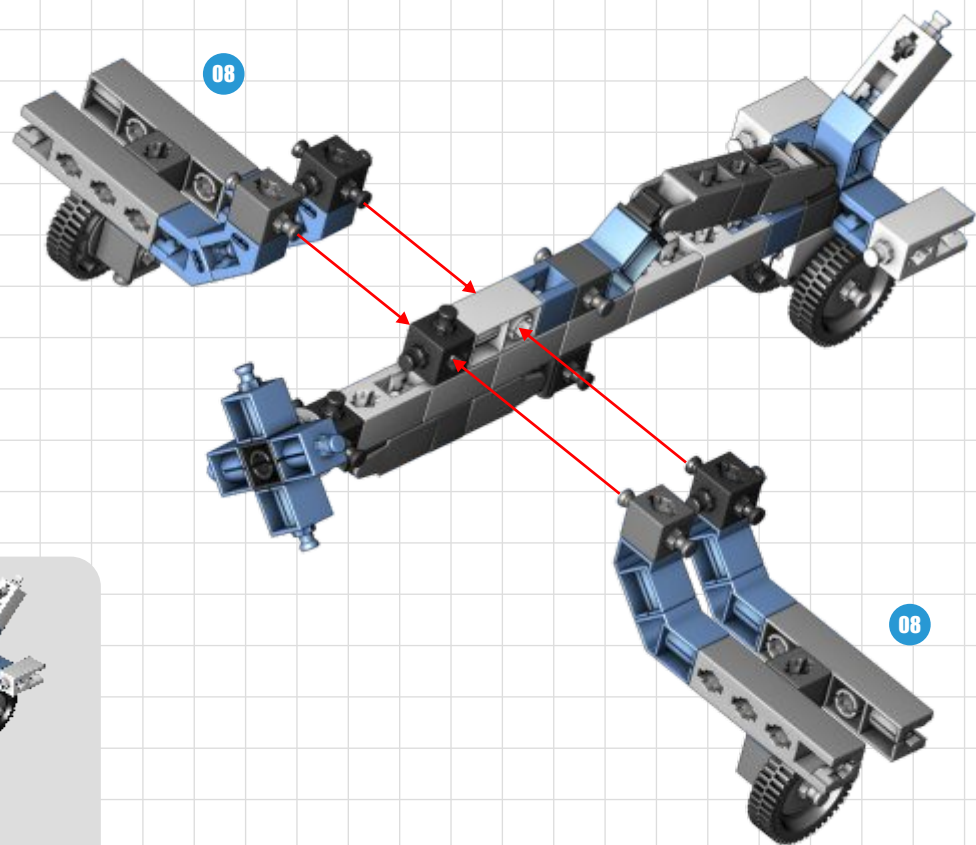
07 x2





09







x3



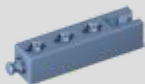
x3



x3



x1



x1



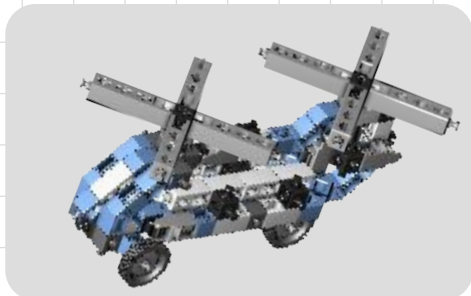
x1



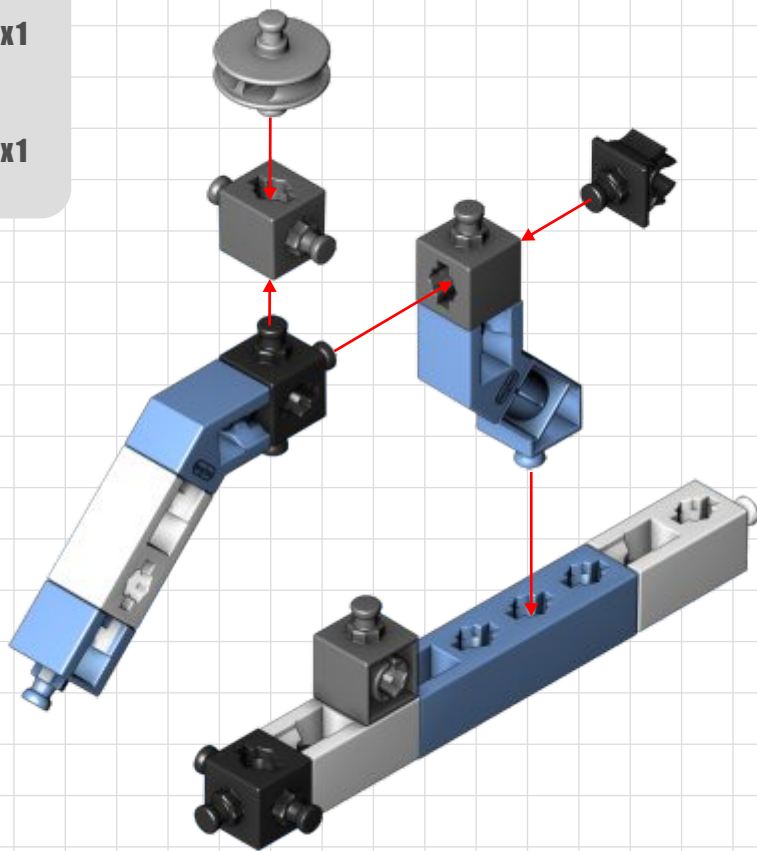
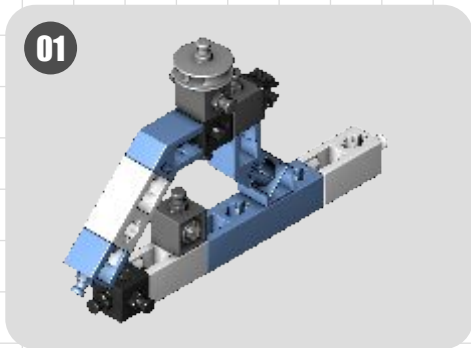
x2




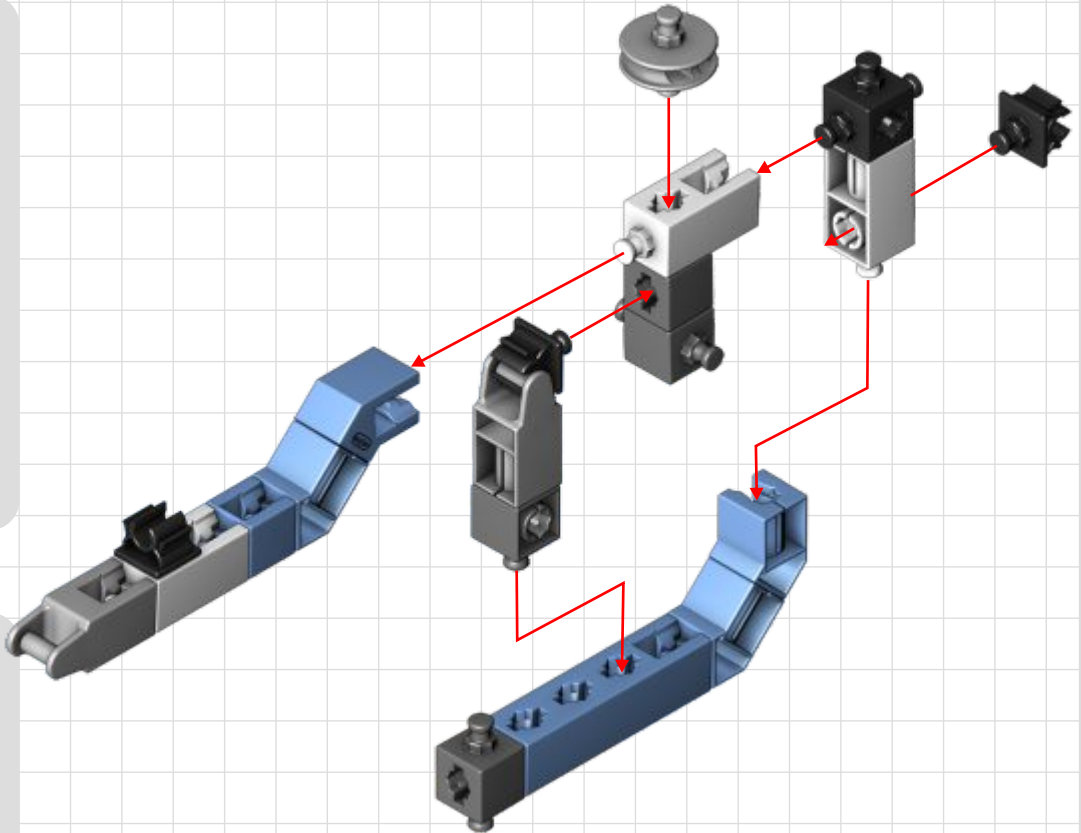
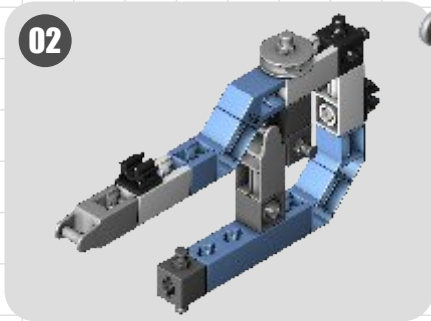
x1



01



- | | | | |
|---|-----------|---|-----------|
|  | x1 |  | x1 |
|  | x2 |  | x1 |
|  | x4 |  | x3 |
|  | x4 |  | x3 |
|  | x1 | | |





x8



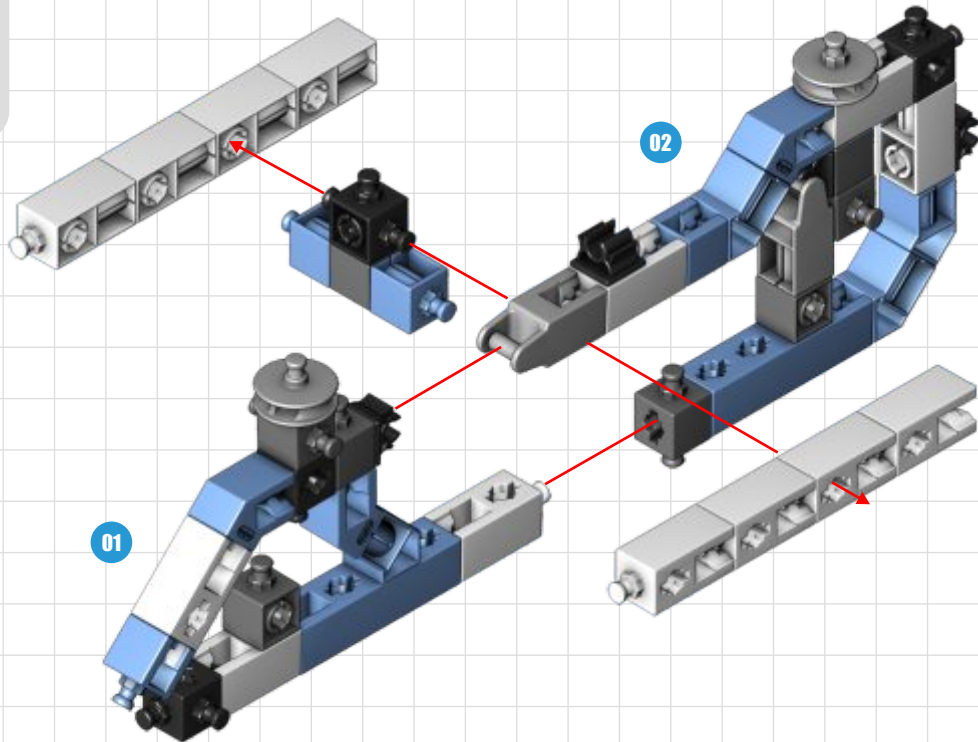
x1



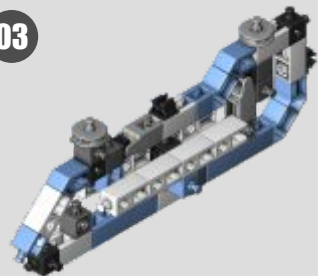
x1



x2



03





x2



x1



x2



x2



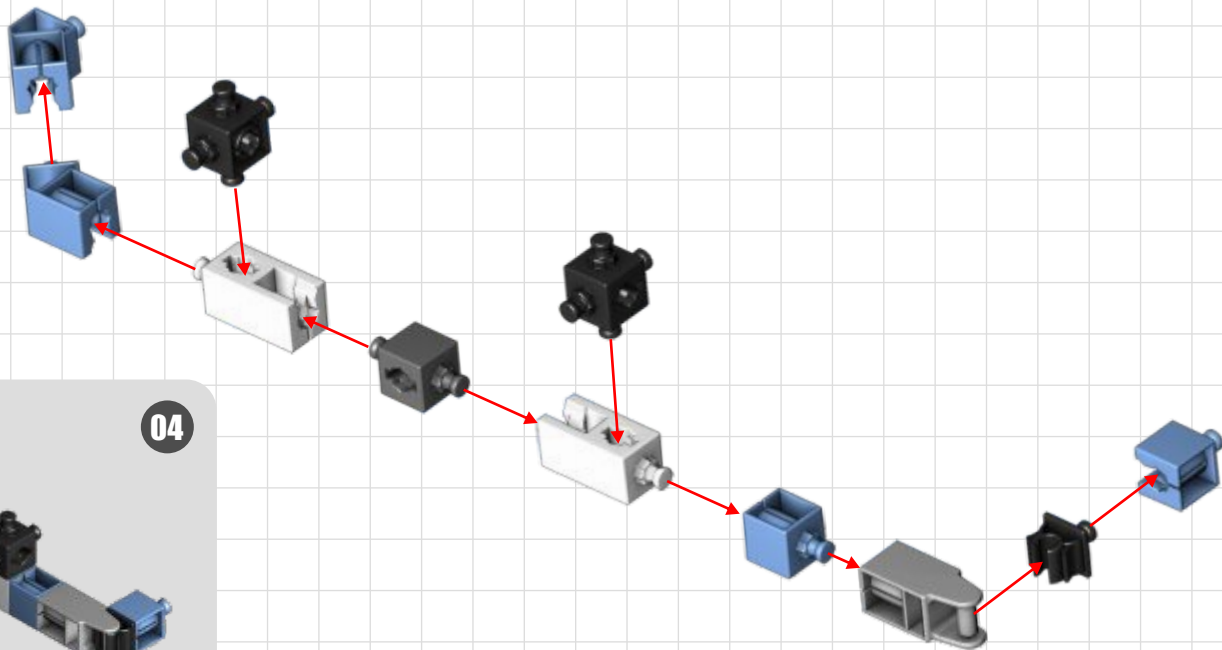
x1



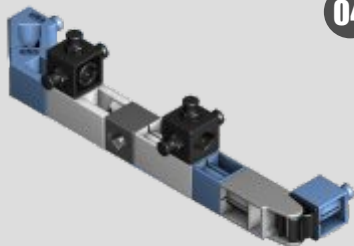
x2



x1



04





x2



x1



x2



x2



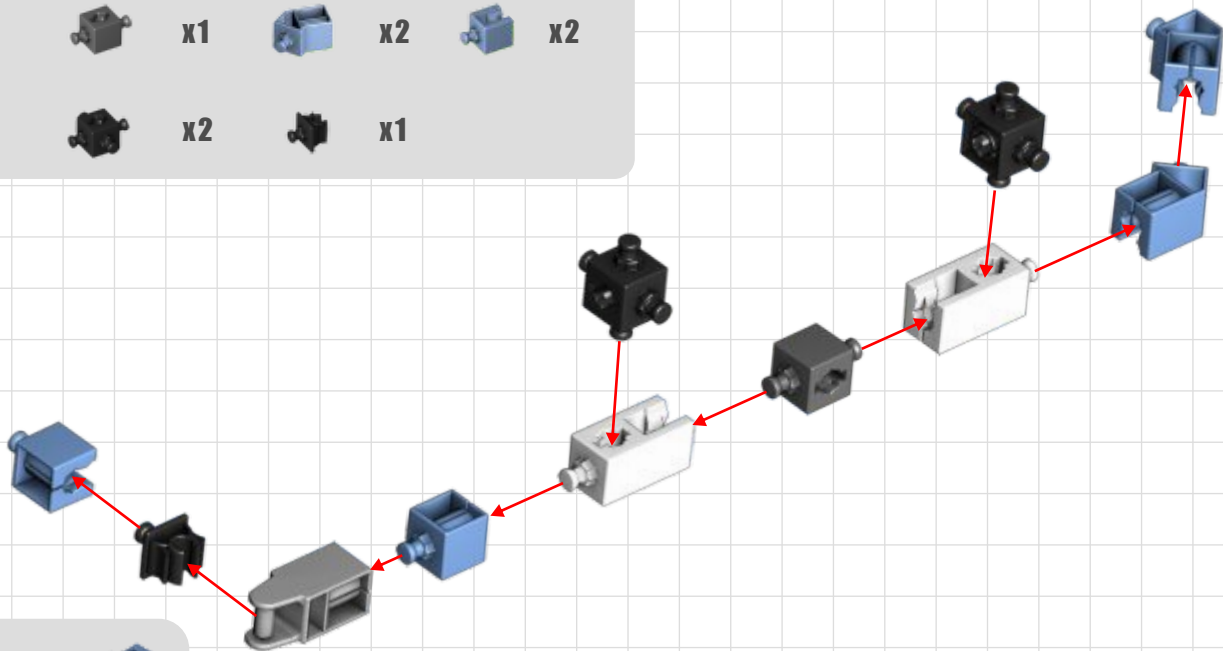
x1



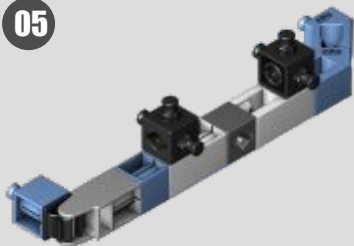
x2

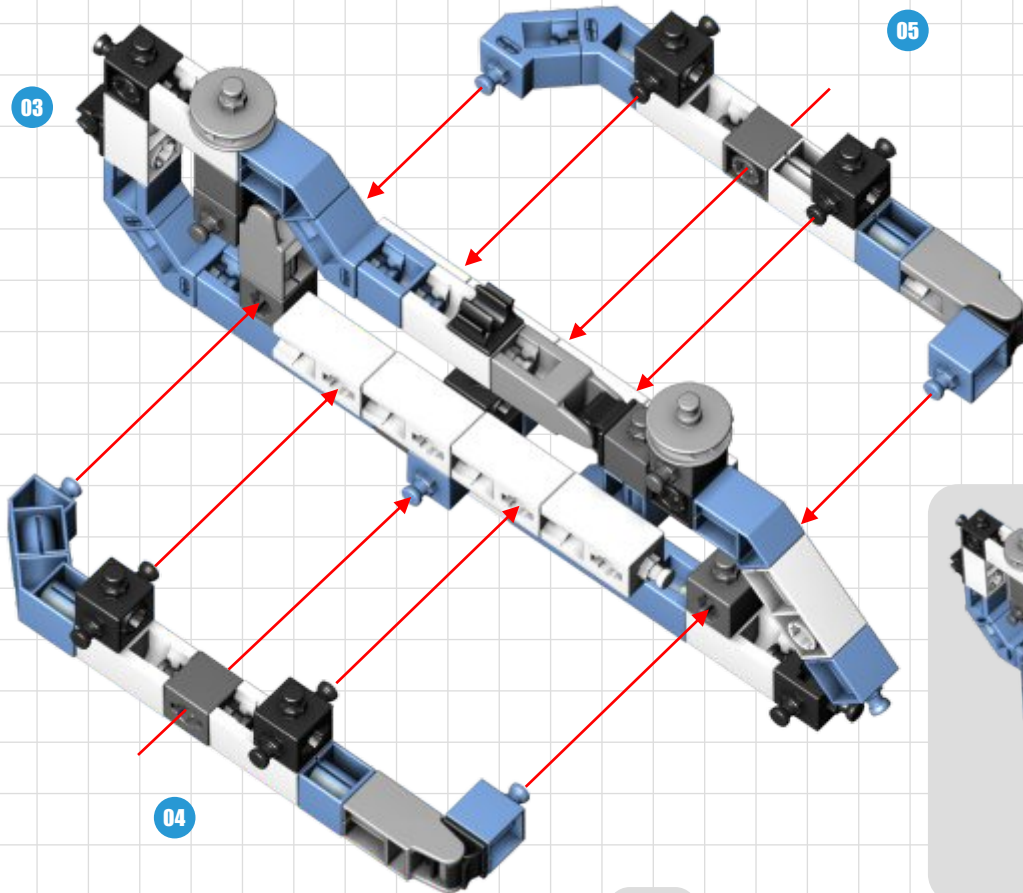


x1



05

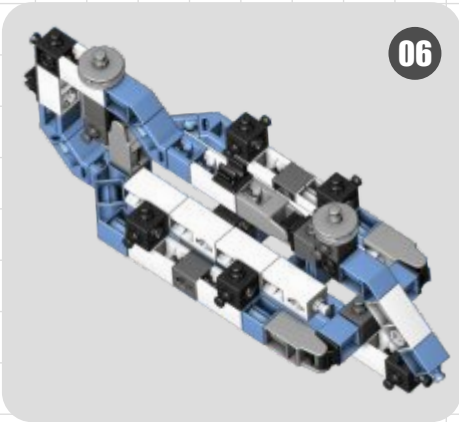




03

05

04



06



x2



x4

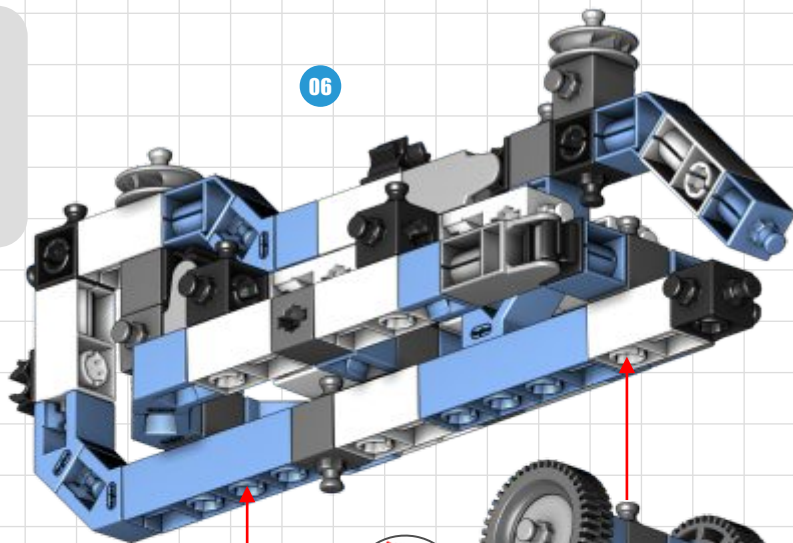


x2

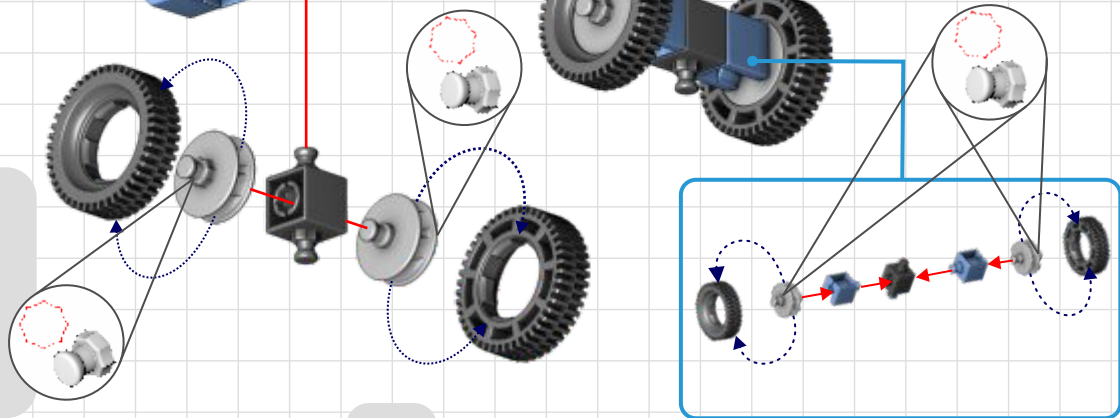
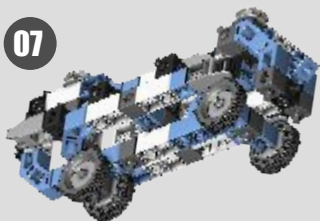


x4

06



07





x8



x2



x2



x4

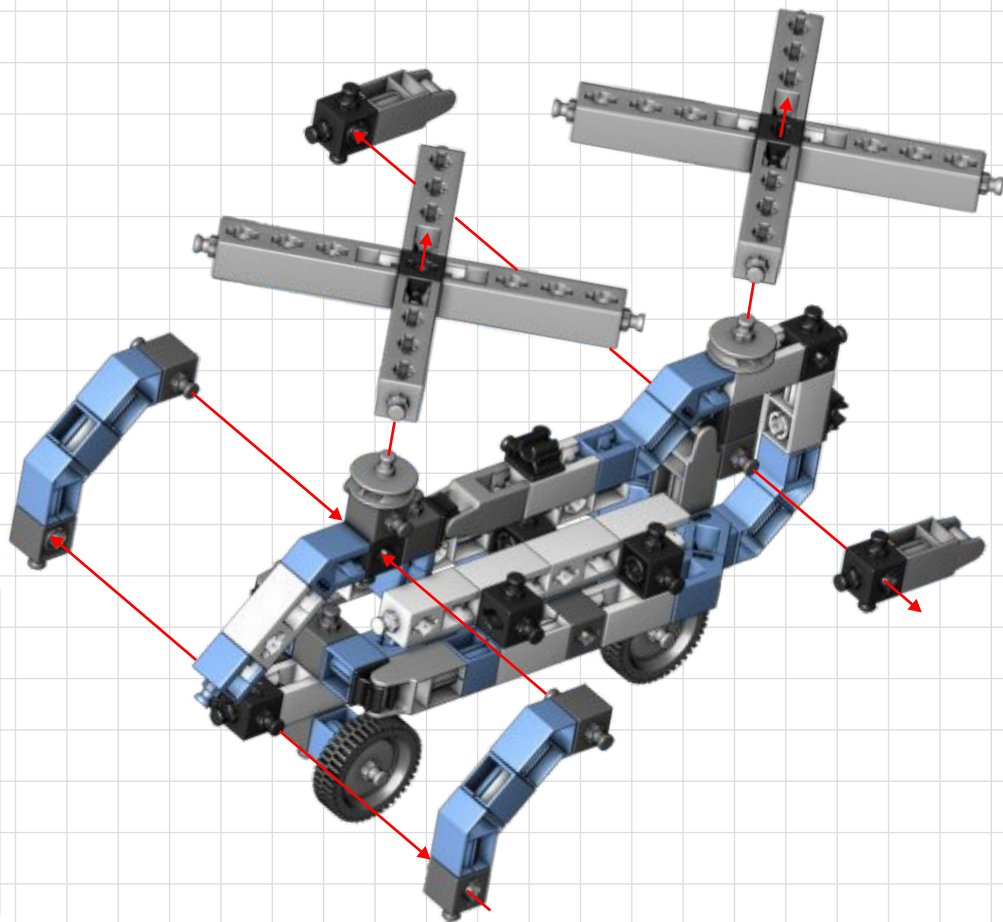


x4



x4

08





x8



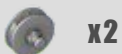
x2



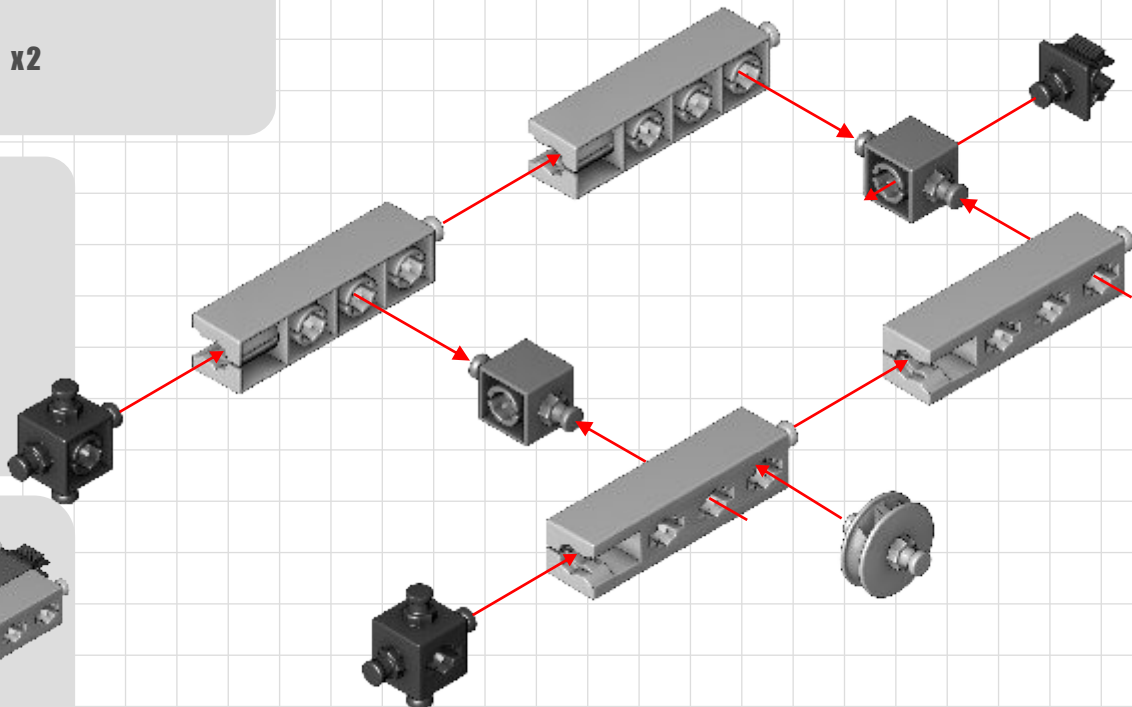
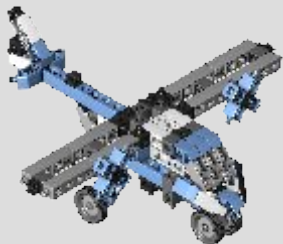
x4



x4

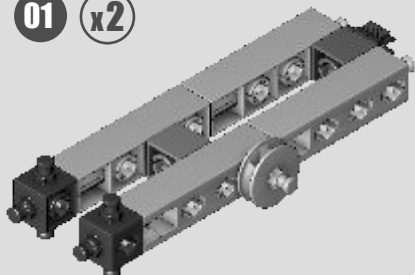


x2



01

x2





x4



x5



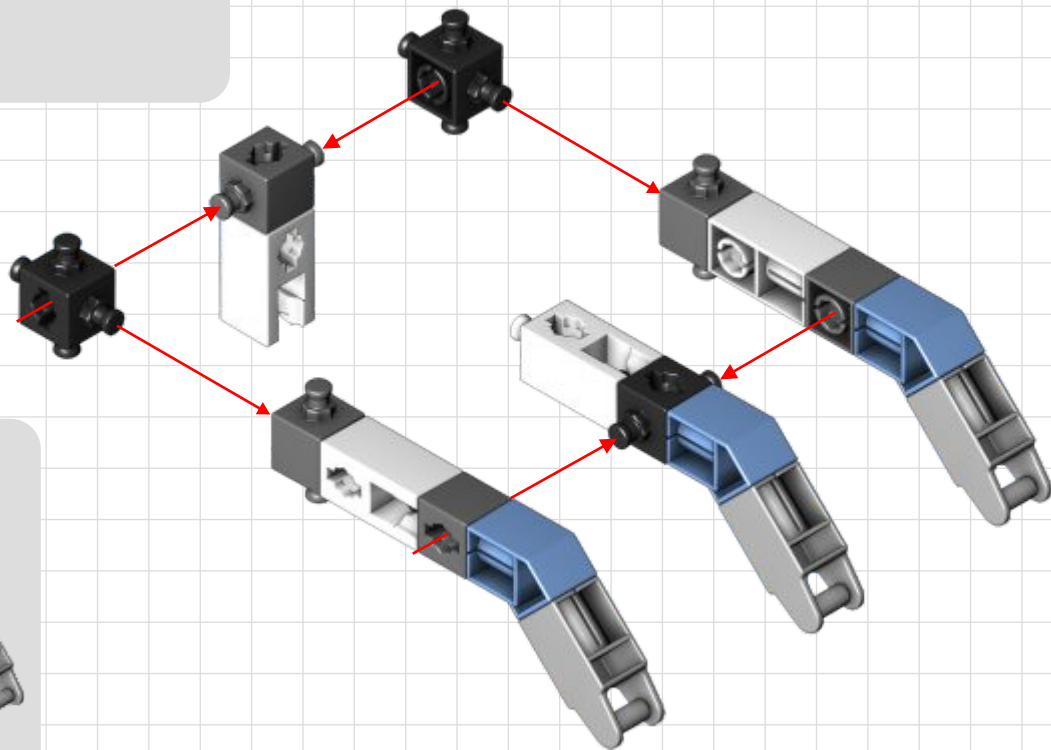
x3



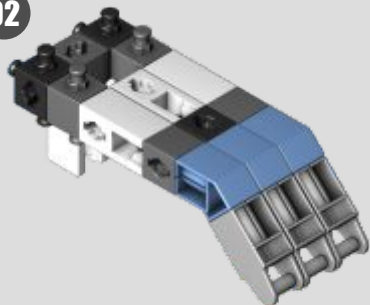
x3



x3



02

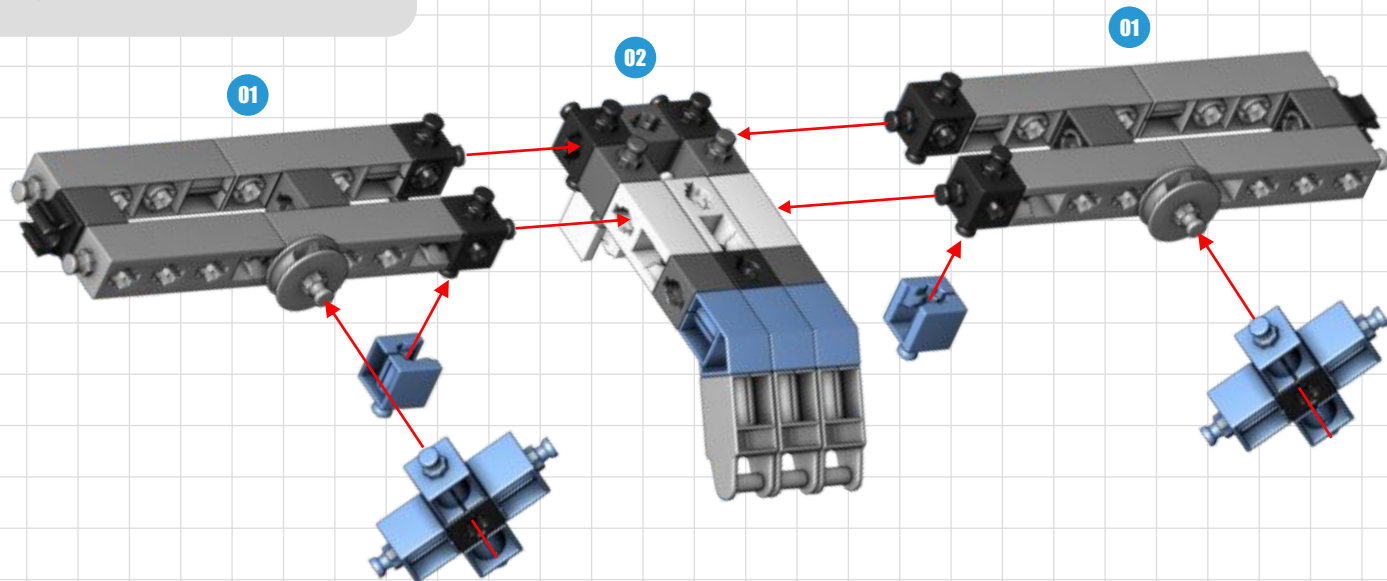




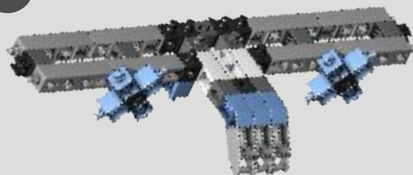
x2

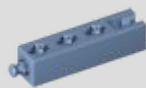


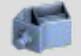



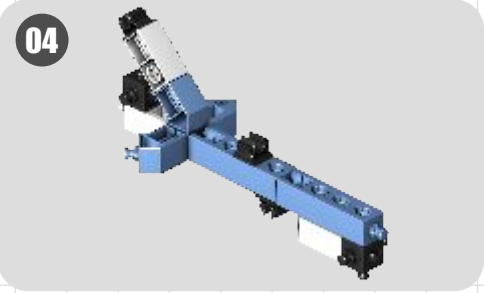
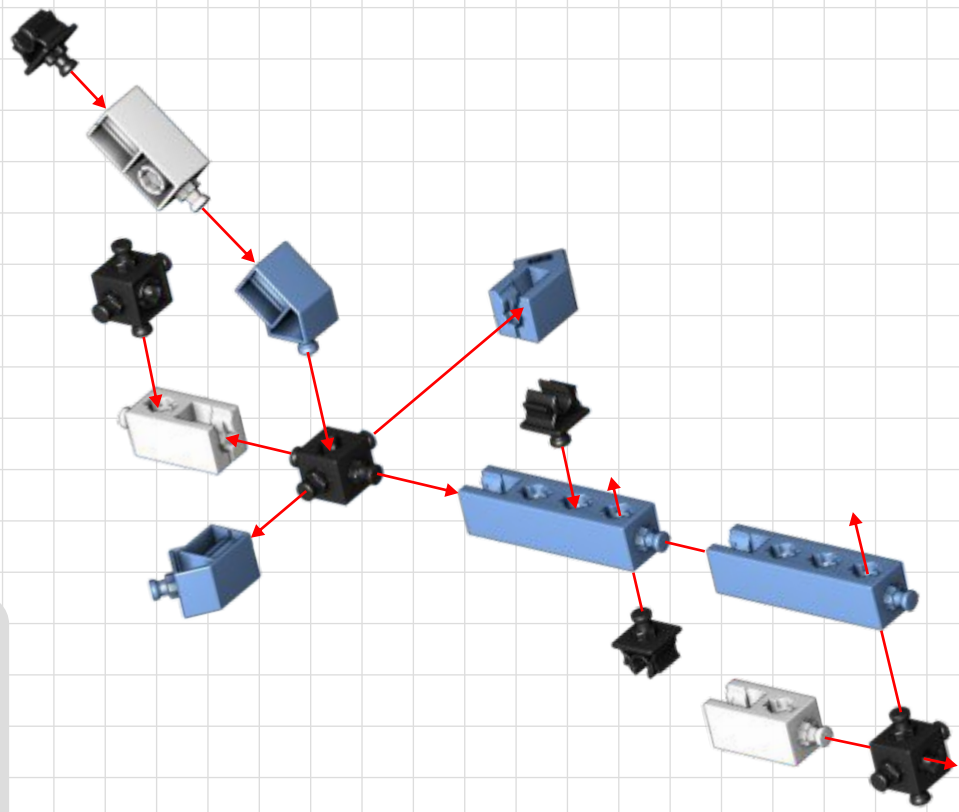
x10

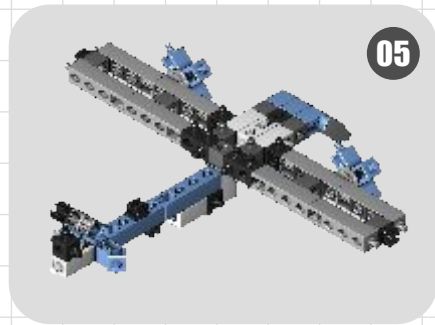
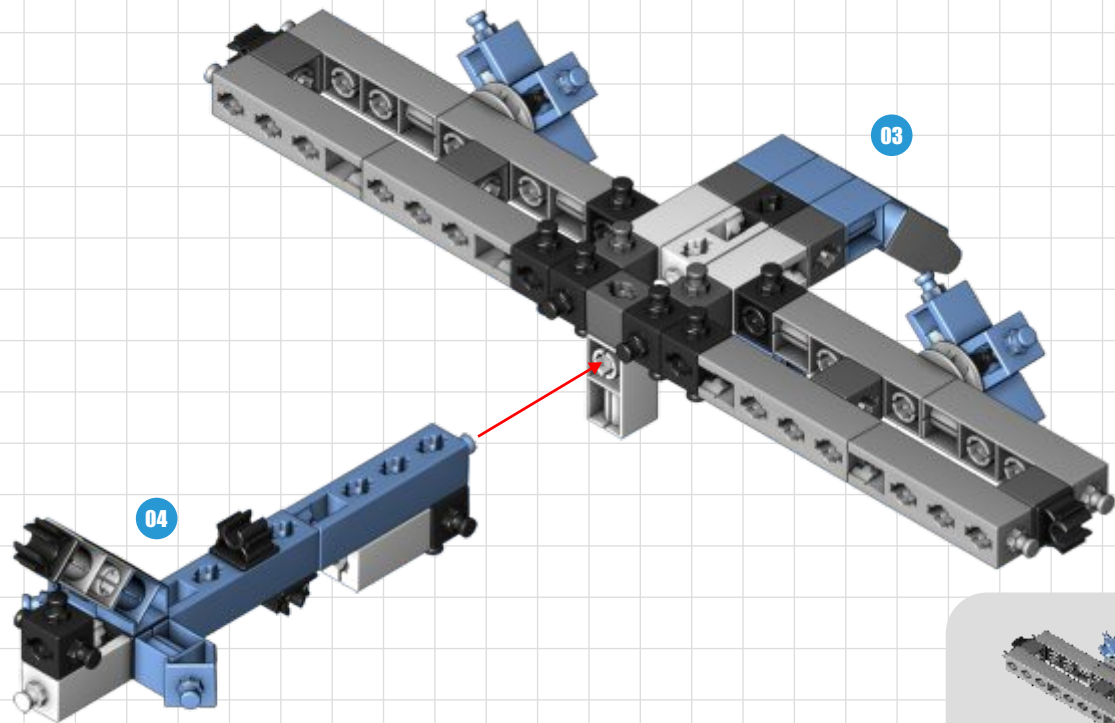


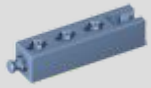
03



-  x2
-  x3
-  x3
-  x3
-  x3







x1



x2



x1



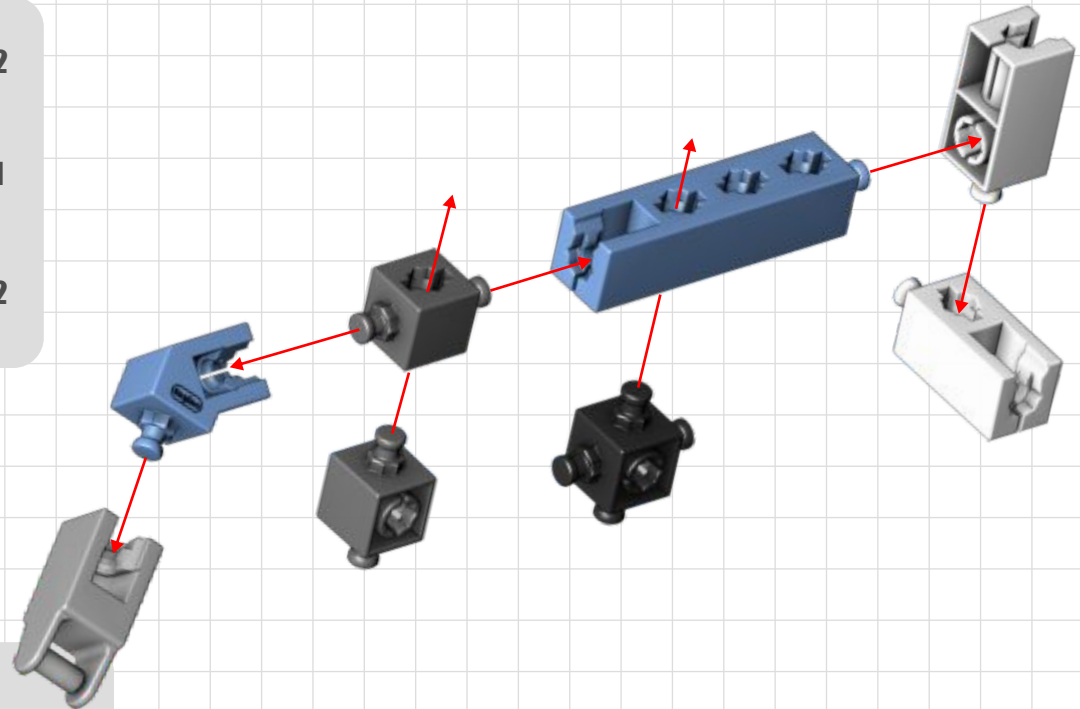
x1



x1

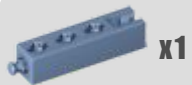


x2



06





x1



x2



x1



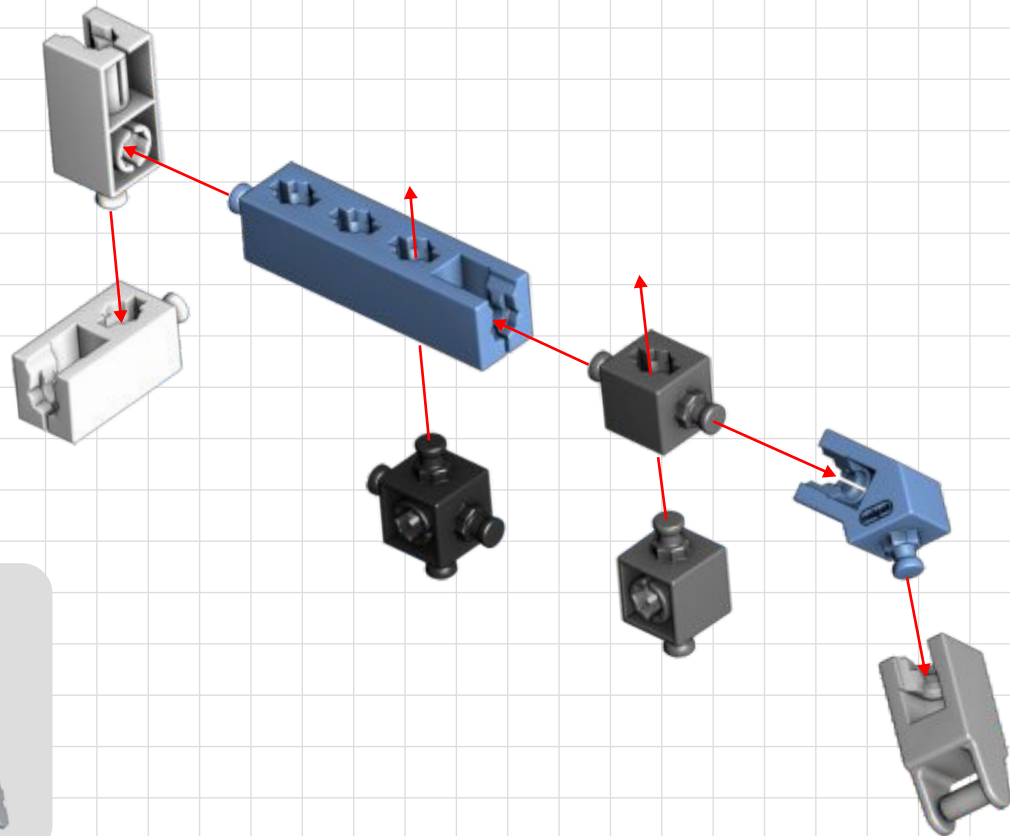
x1



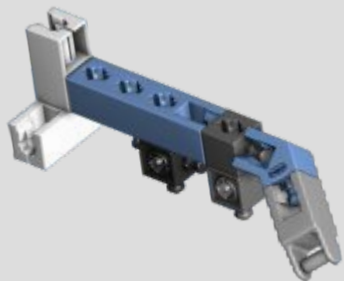
x1



x2



07





x2



x2



x1



x3



x2



x3



x6

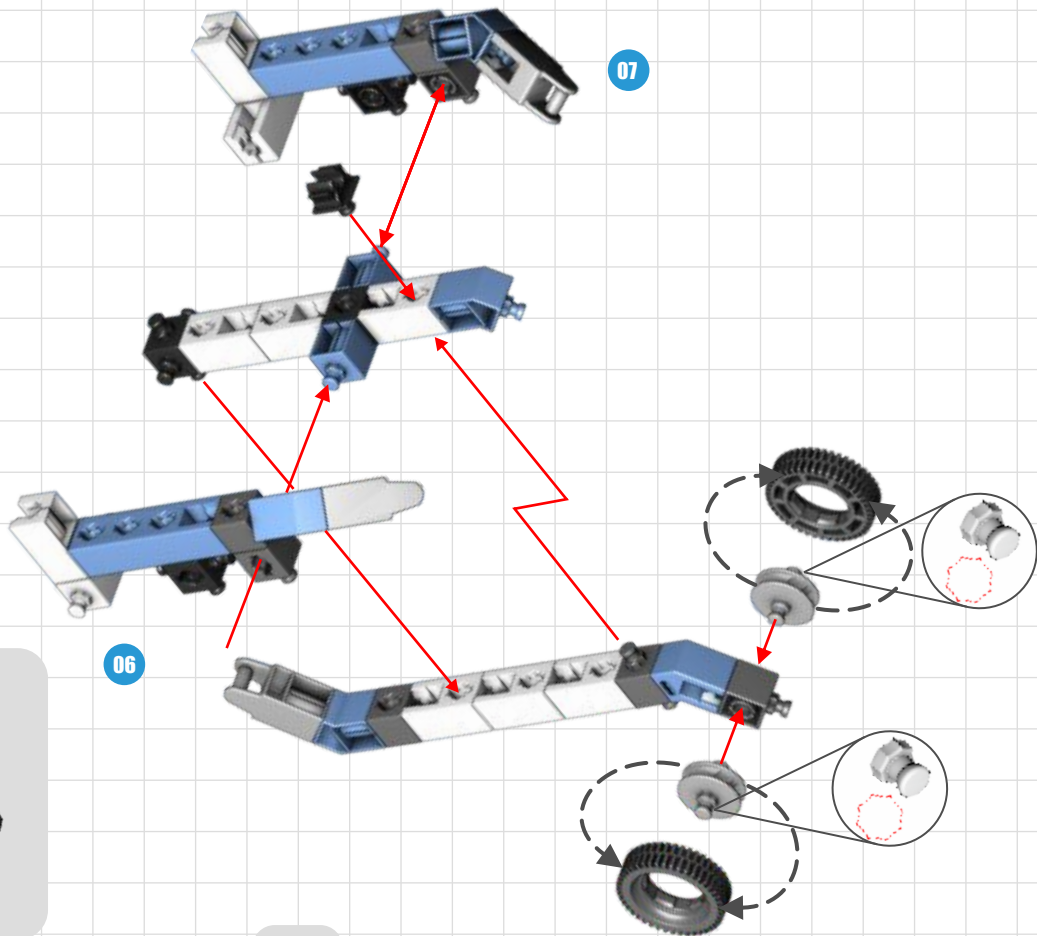
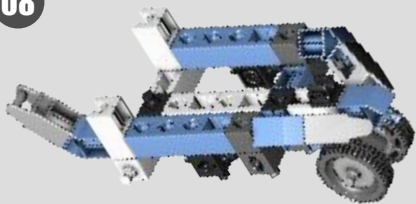


x2



x1

08





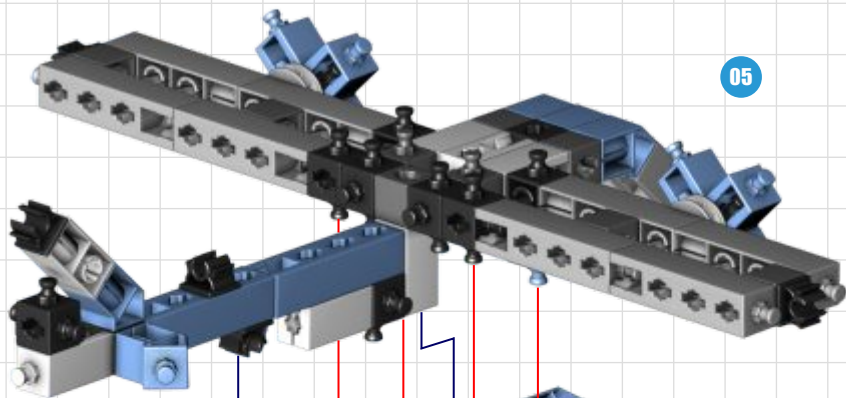
x2



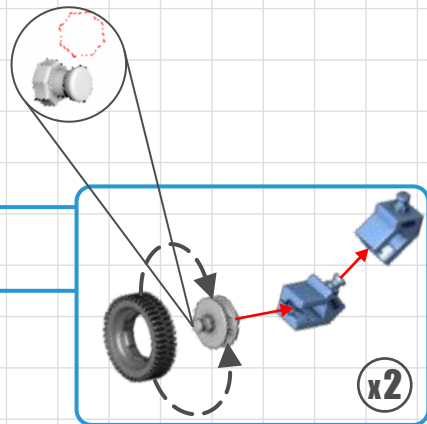
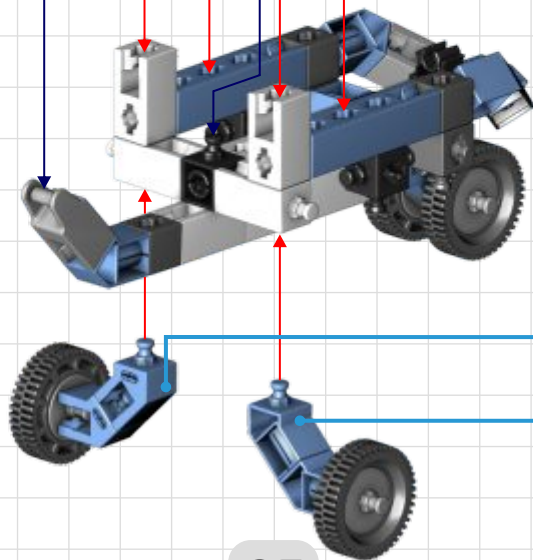
x2

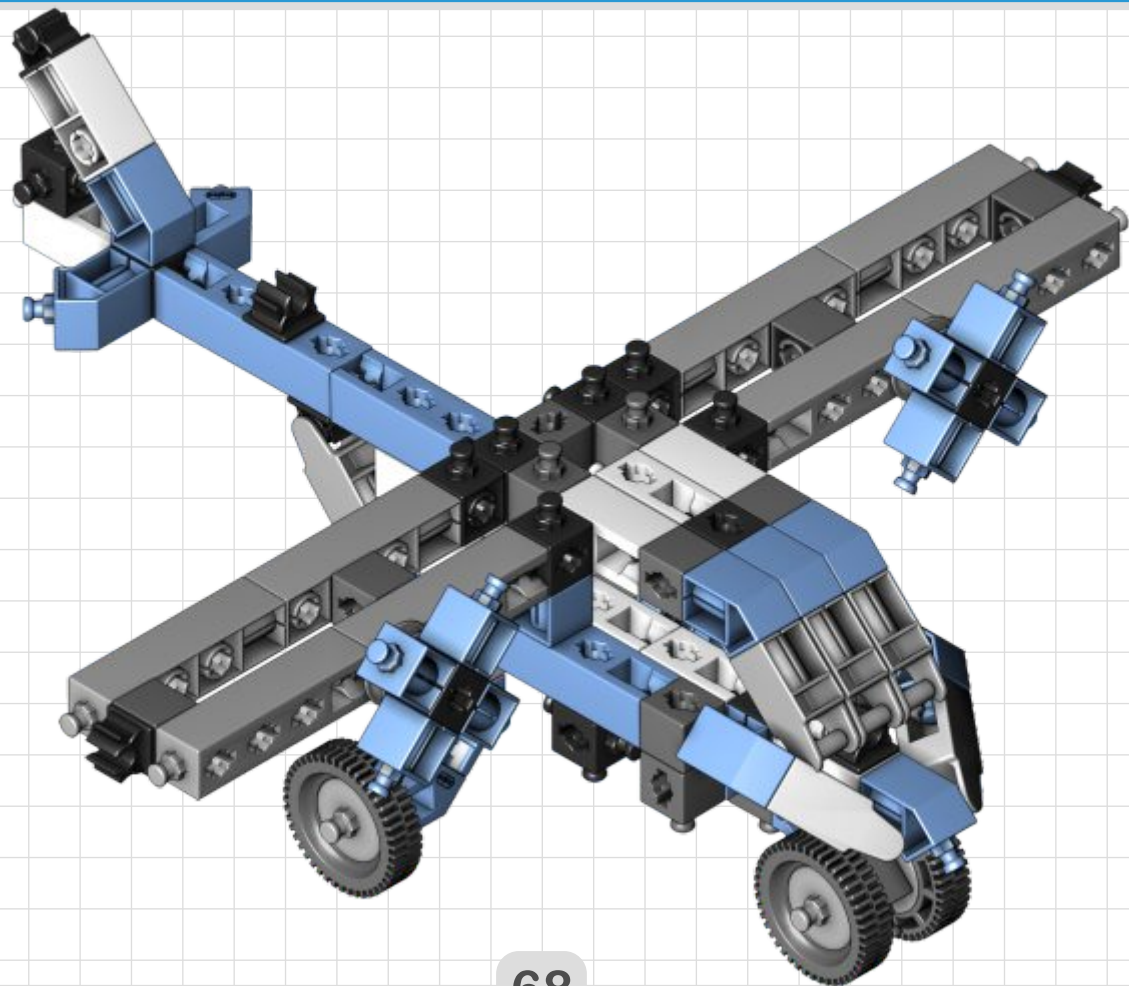


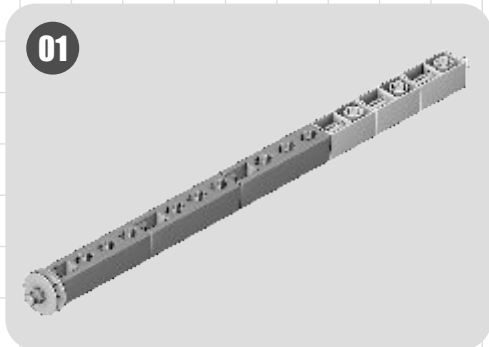
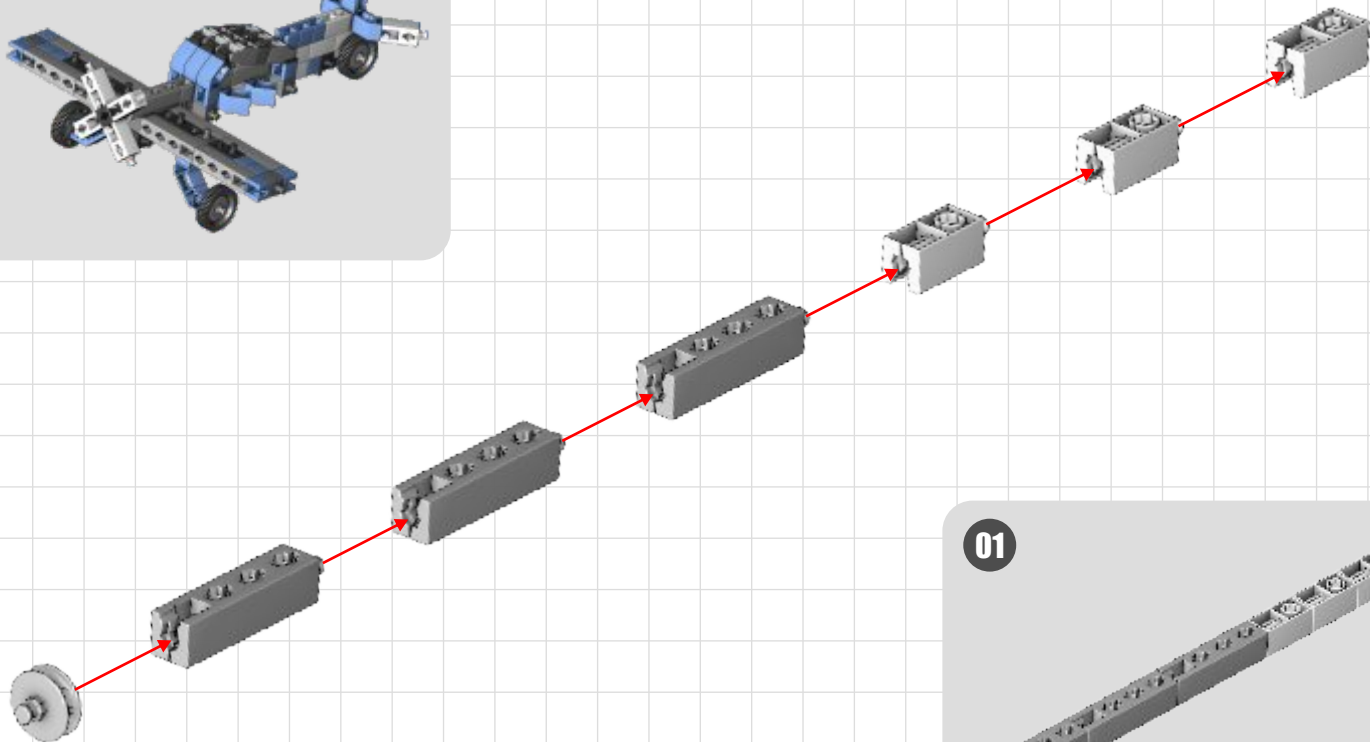
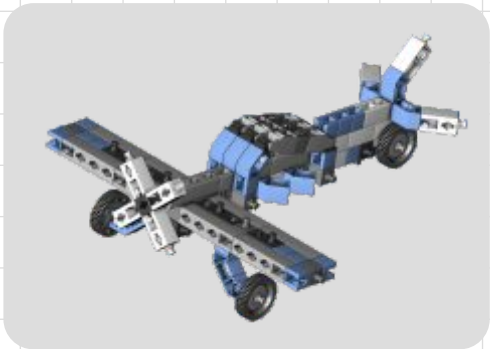
x4



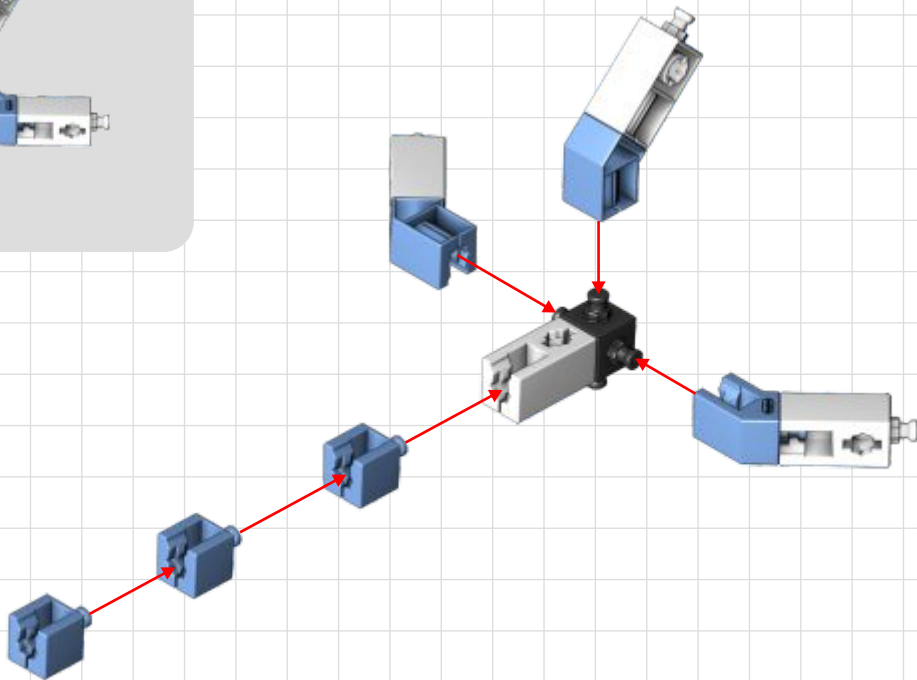
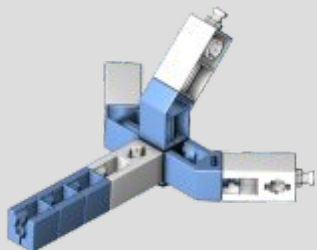
08



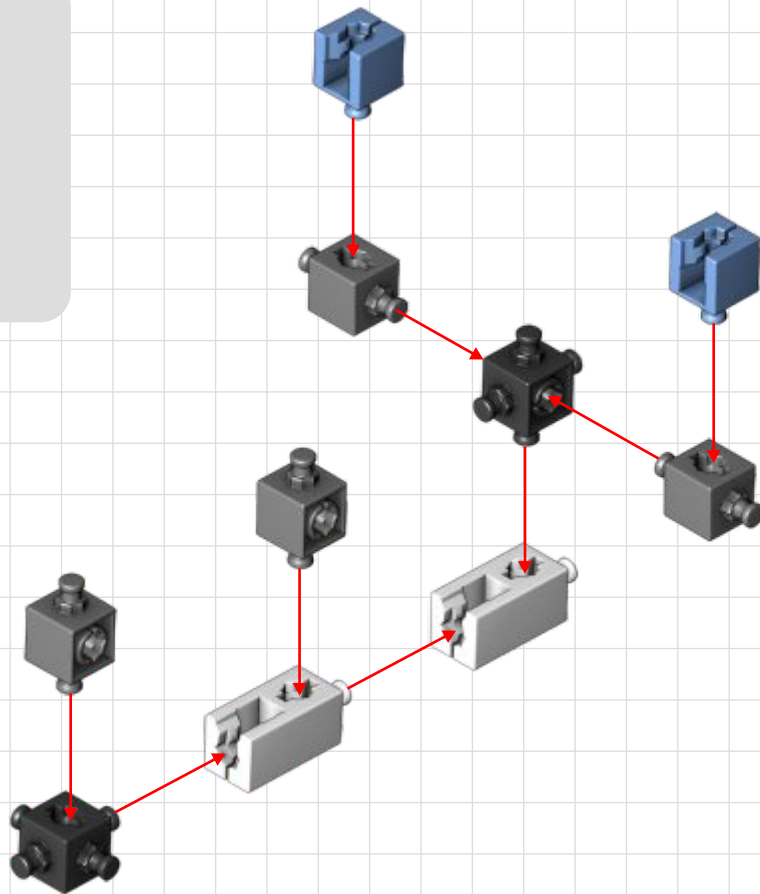
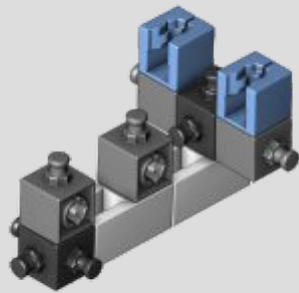




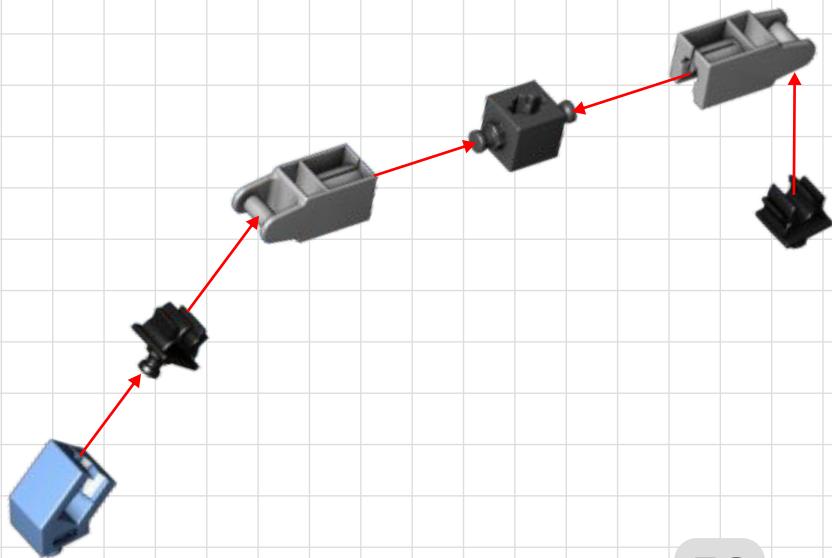
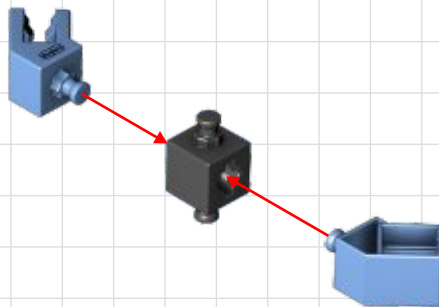
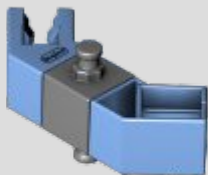
02



03



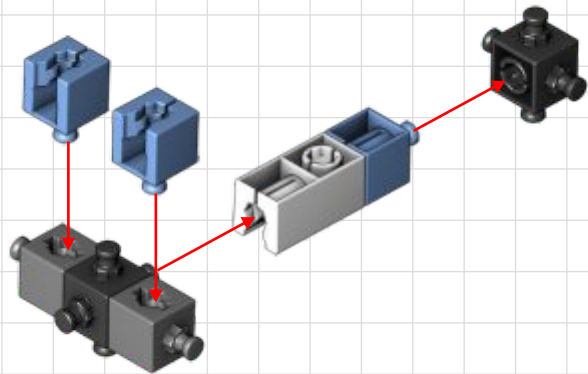
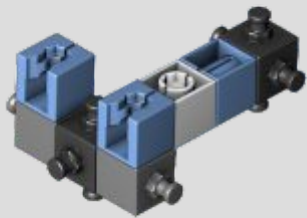
04 x2



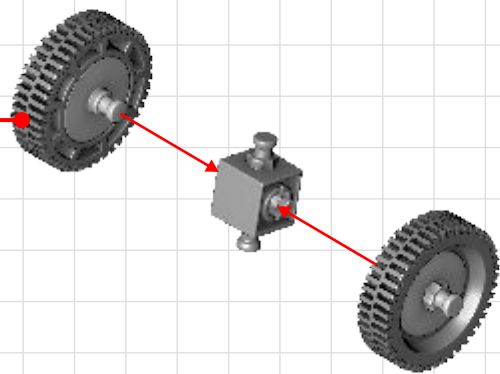
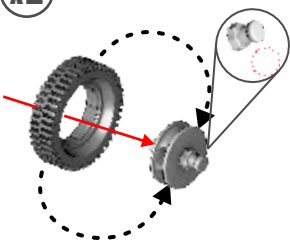
05 x3



06



x2

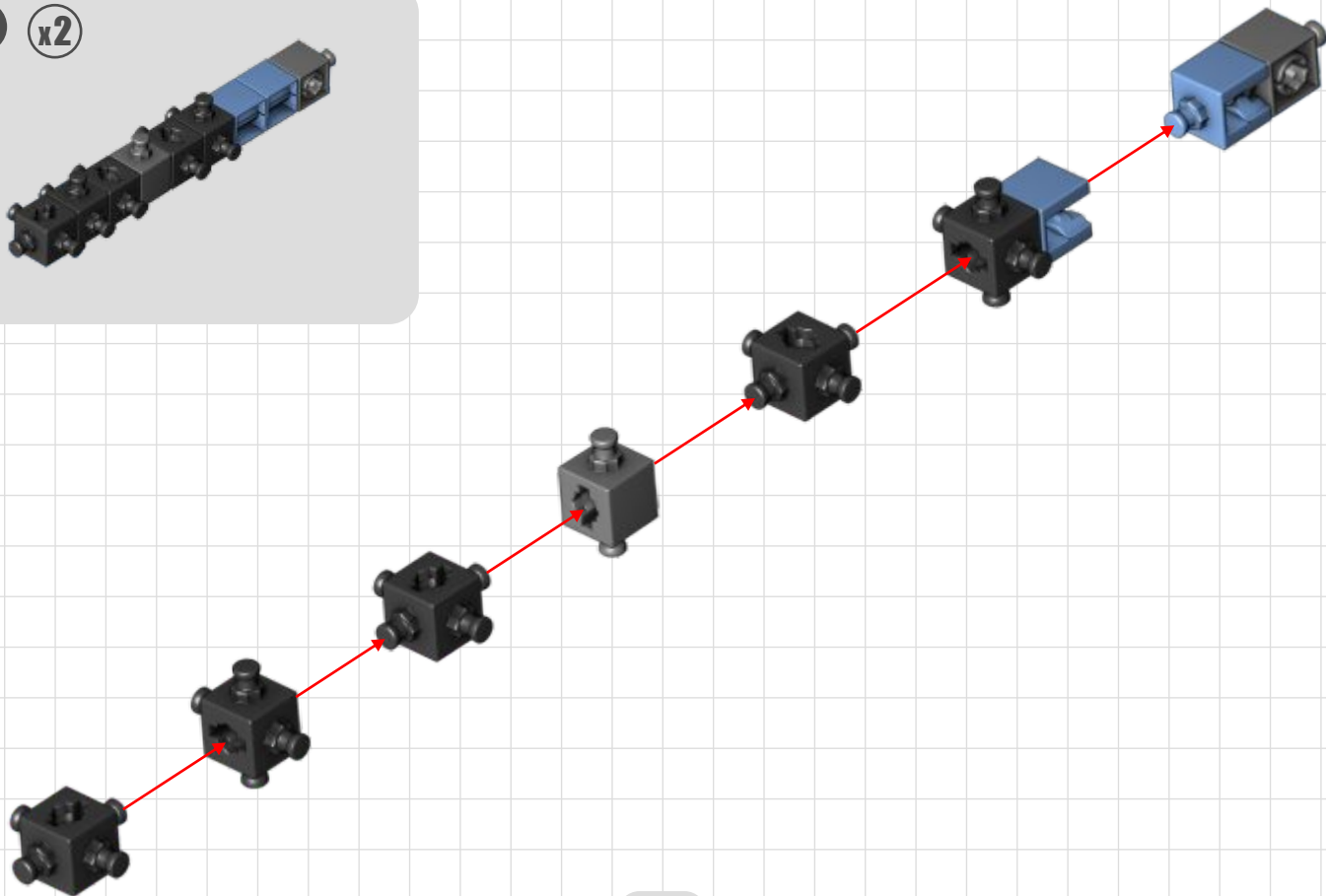


07

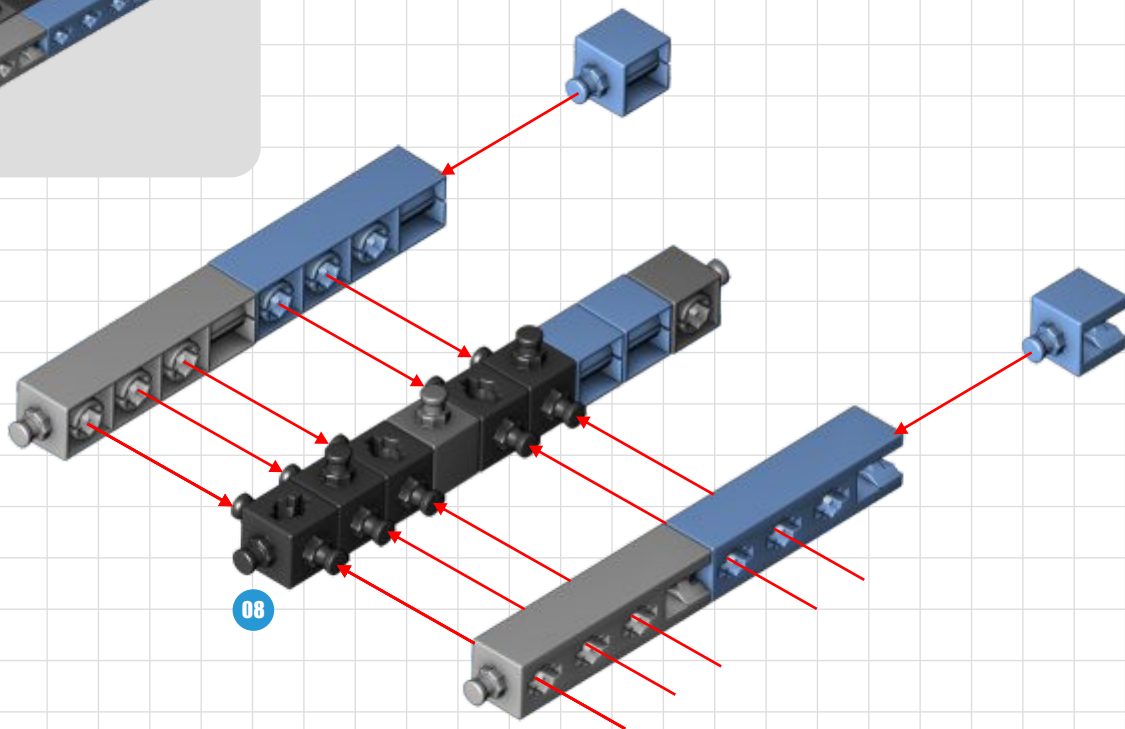
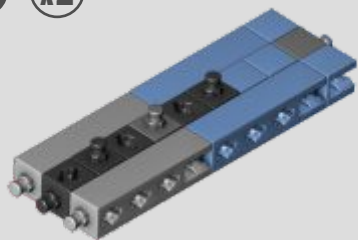


08

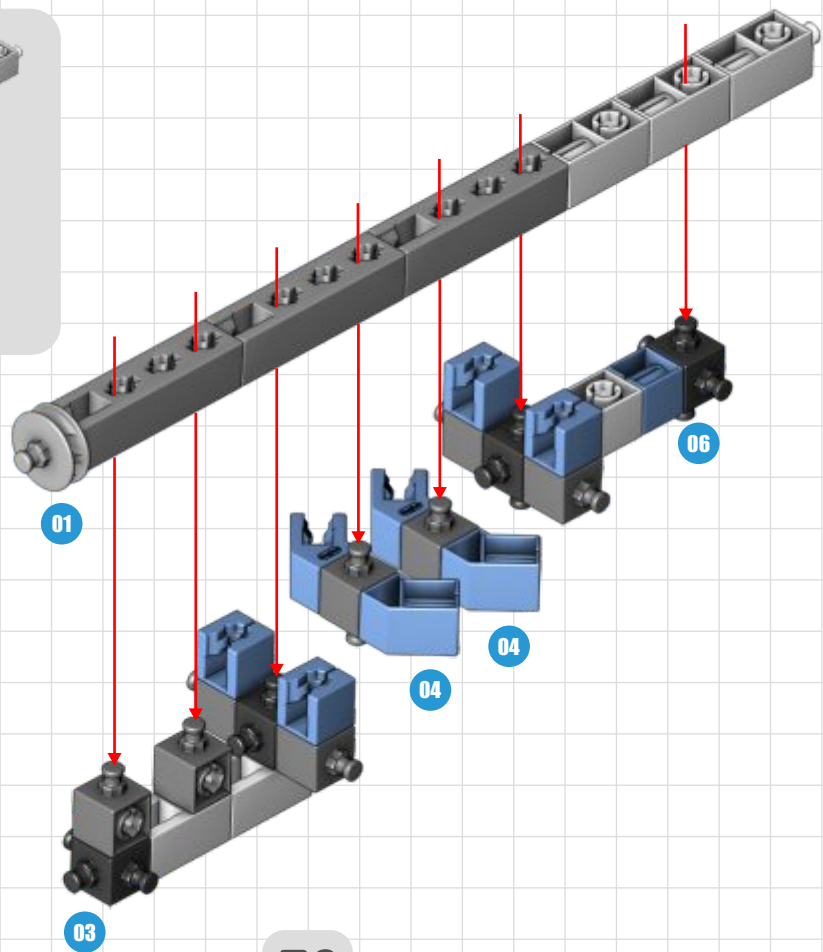
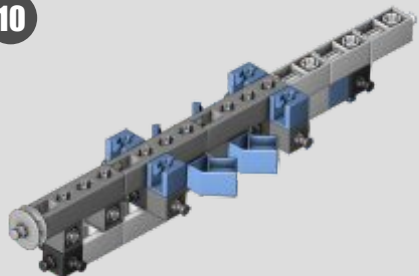
x2



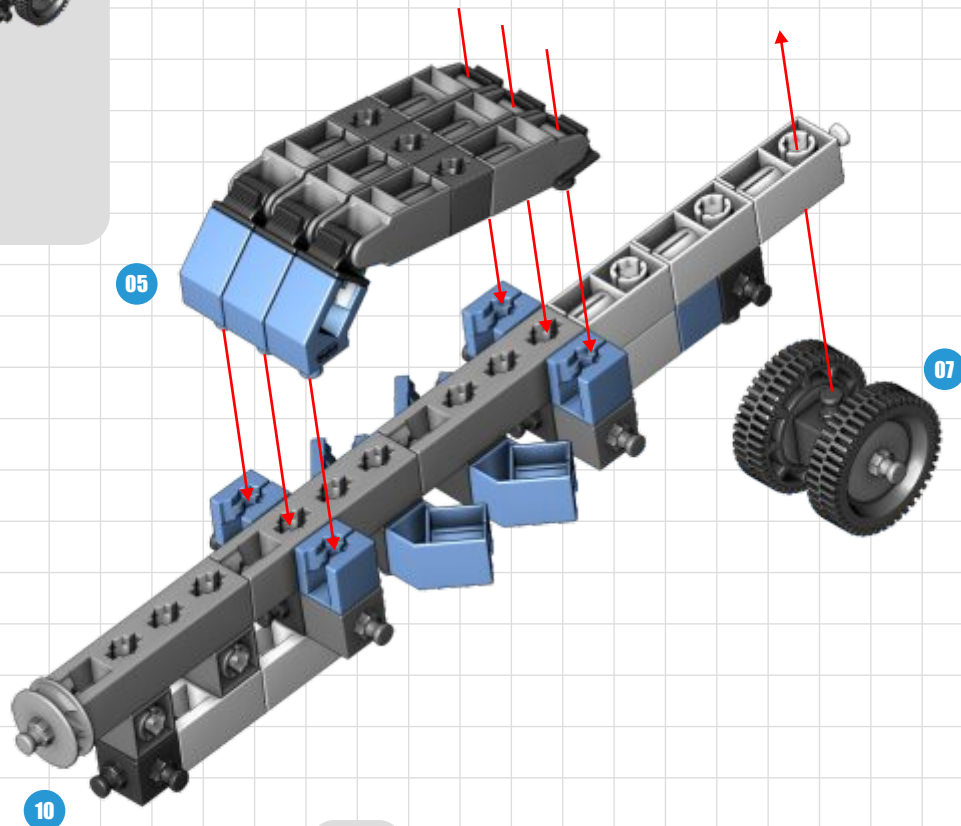
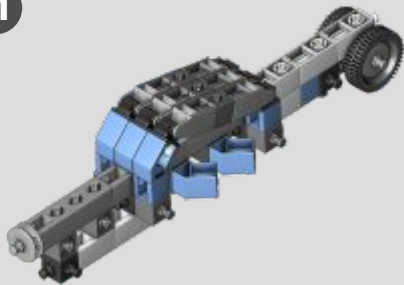
09 x2



10



11

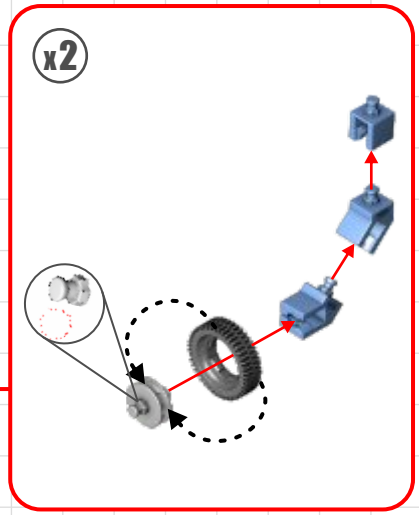
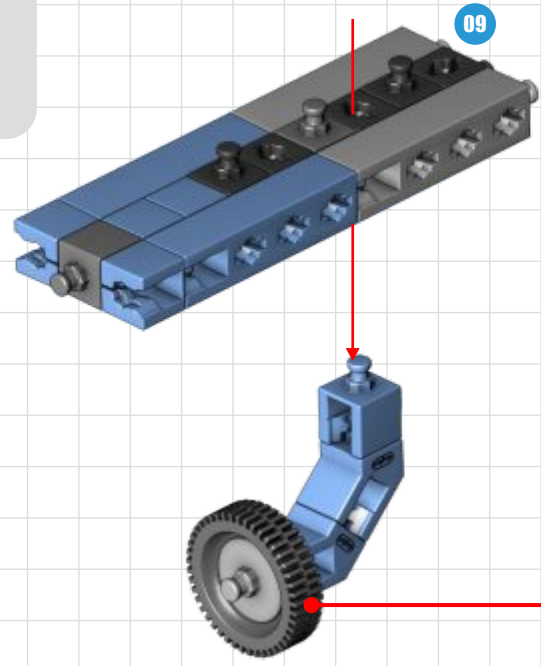
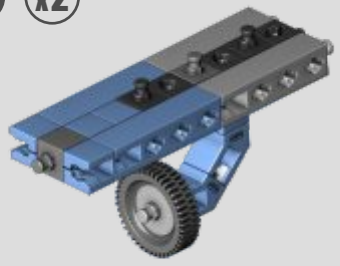


10

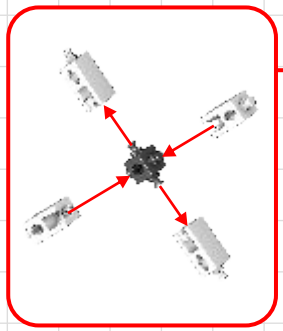
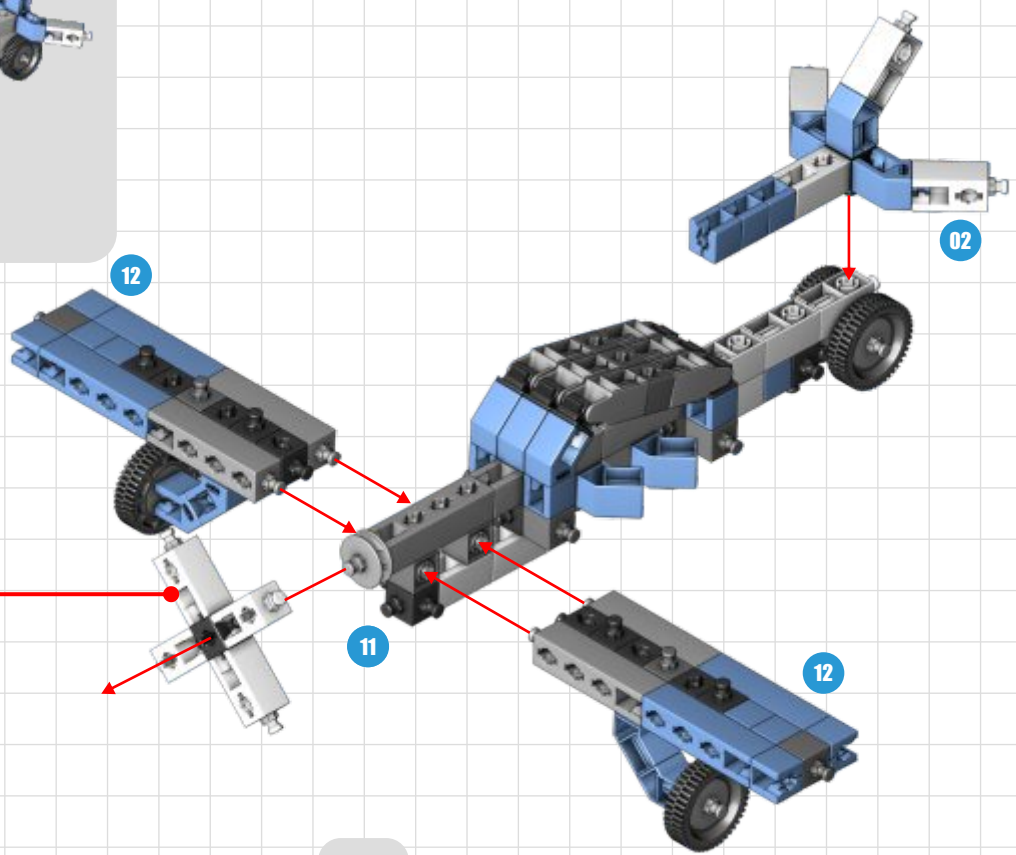
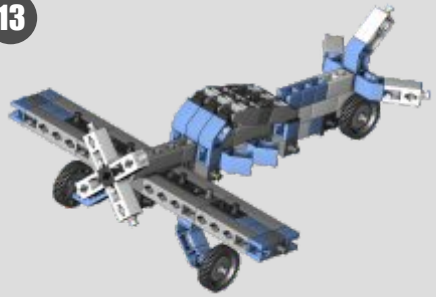
05

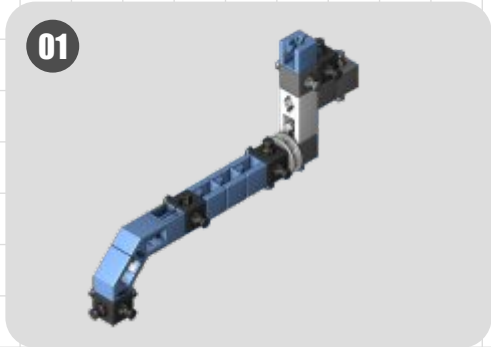
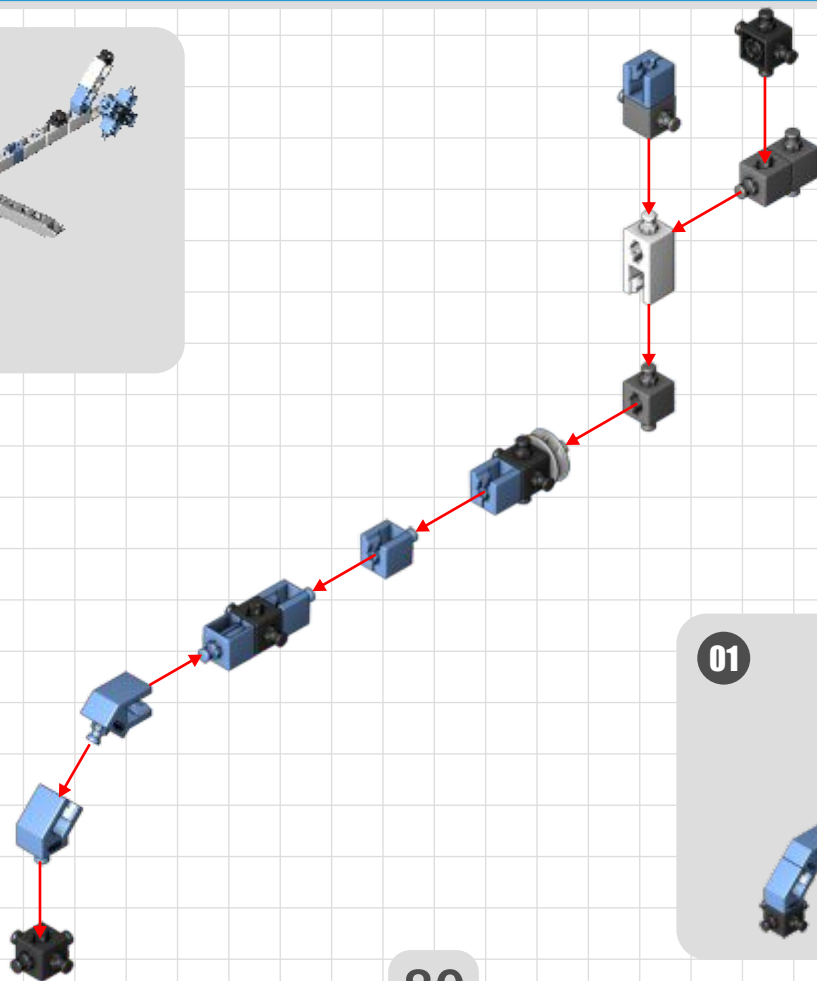
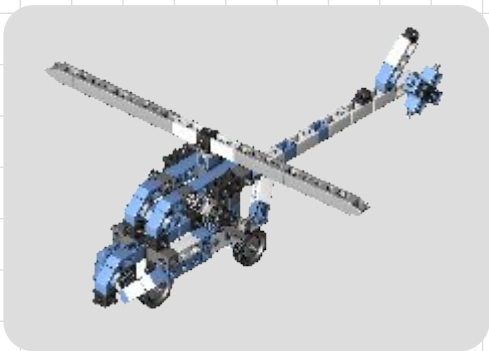
07

12 x2

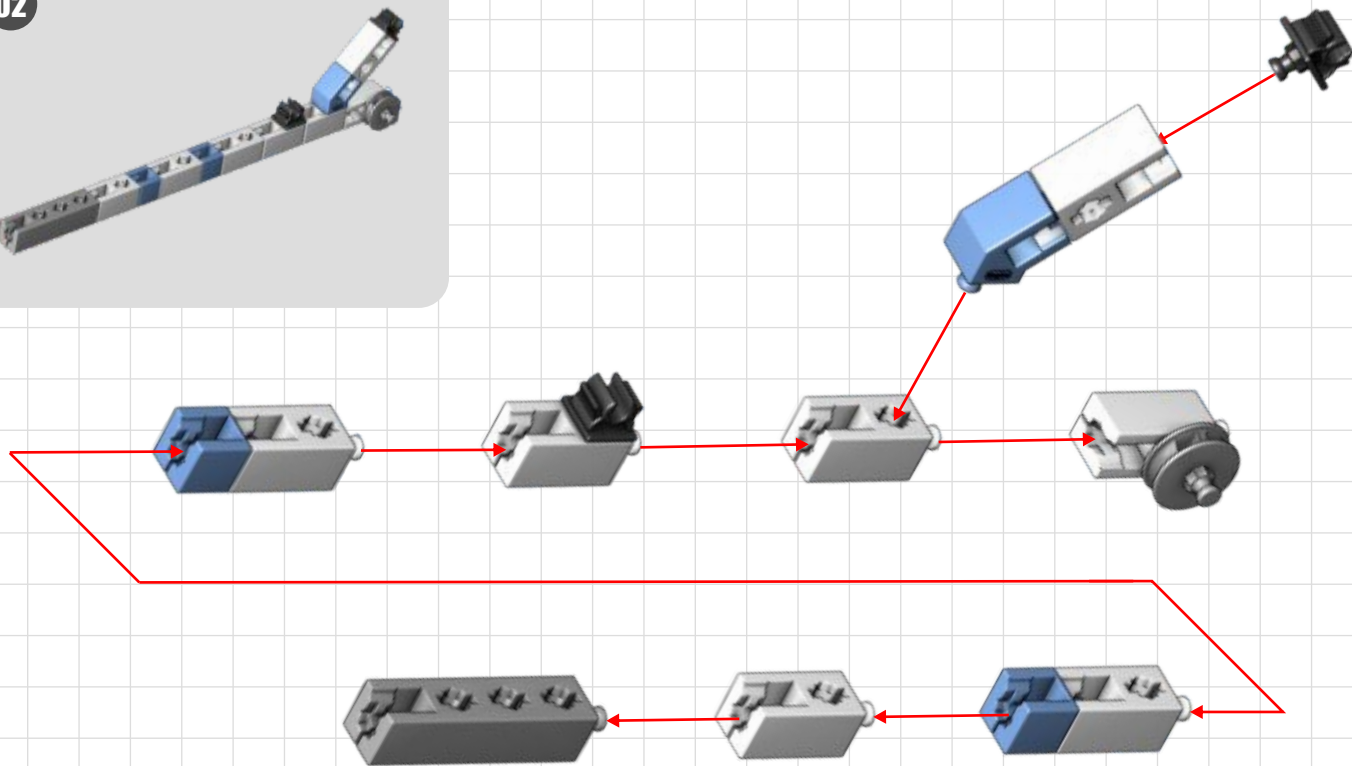
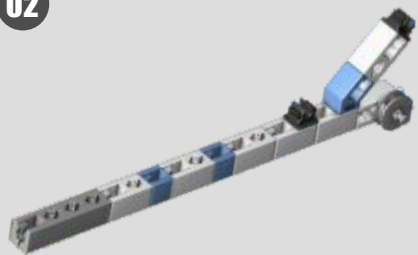


13

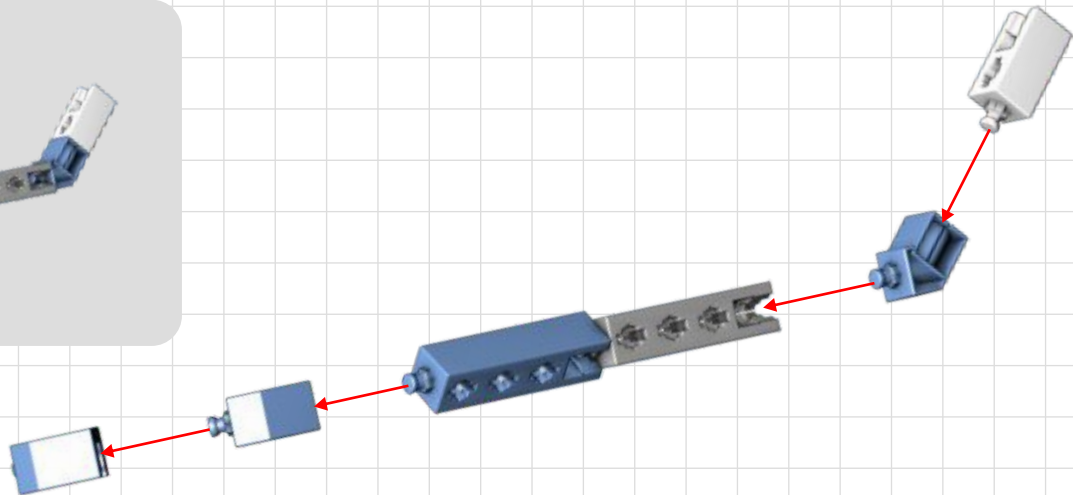




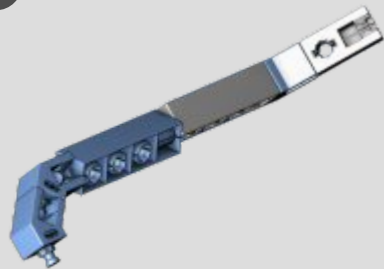
02



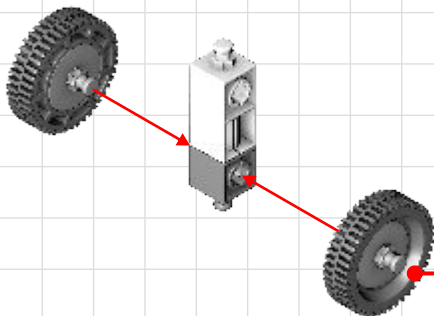
03



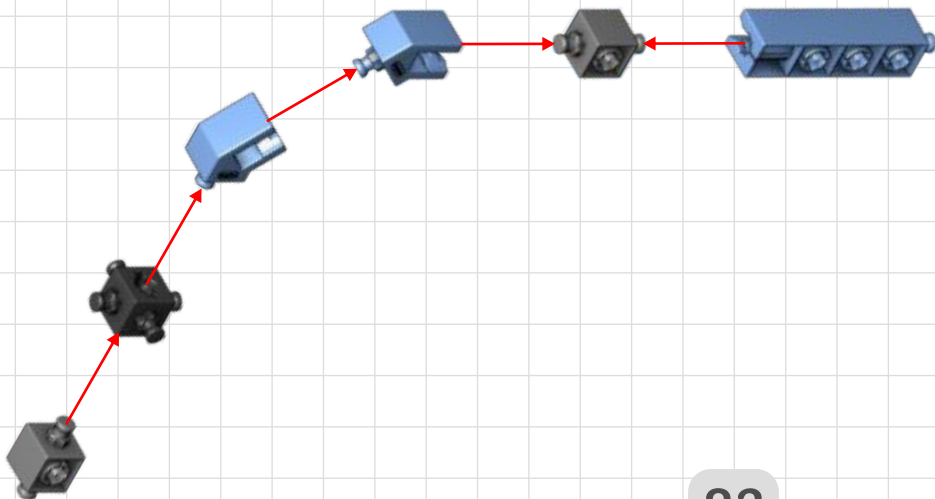
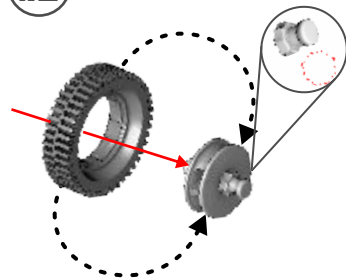
04



05



x2

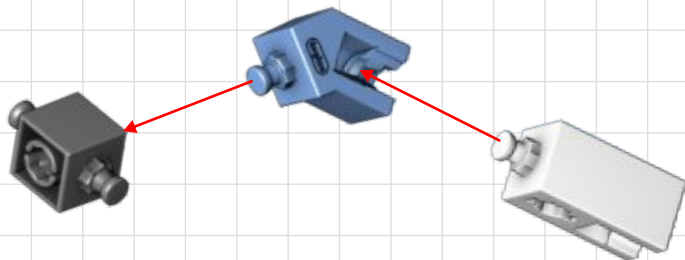
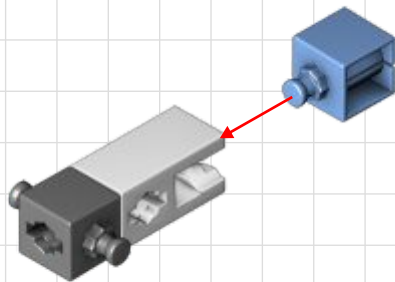
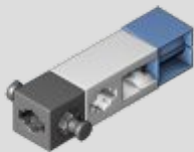


06

x2



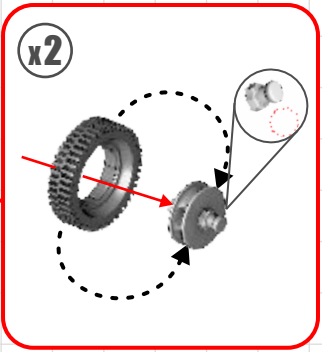
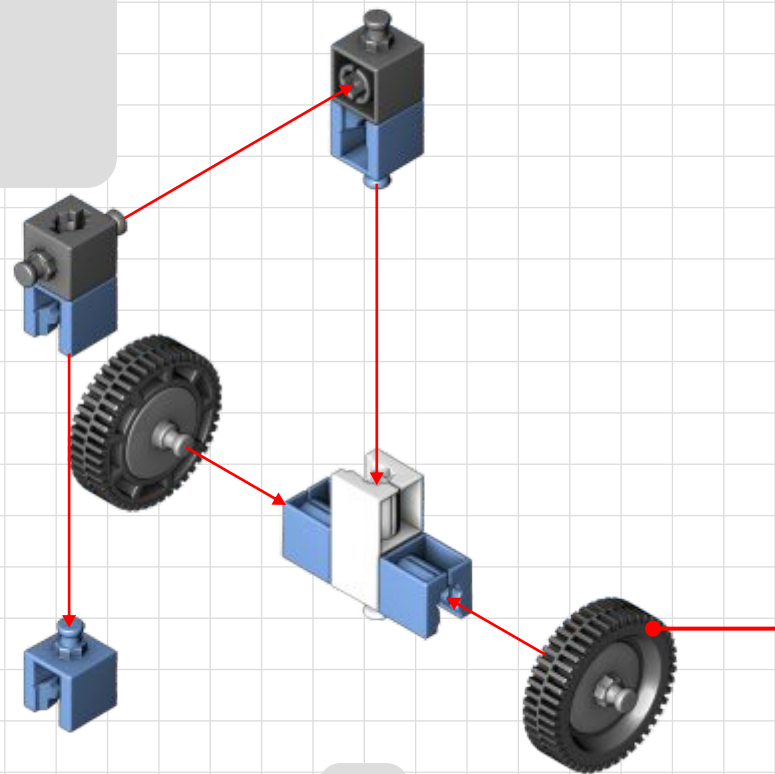
07 x2



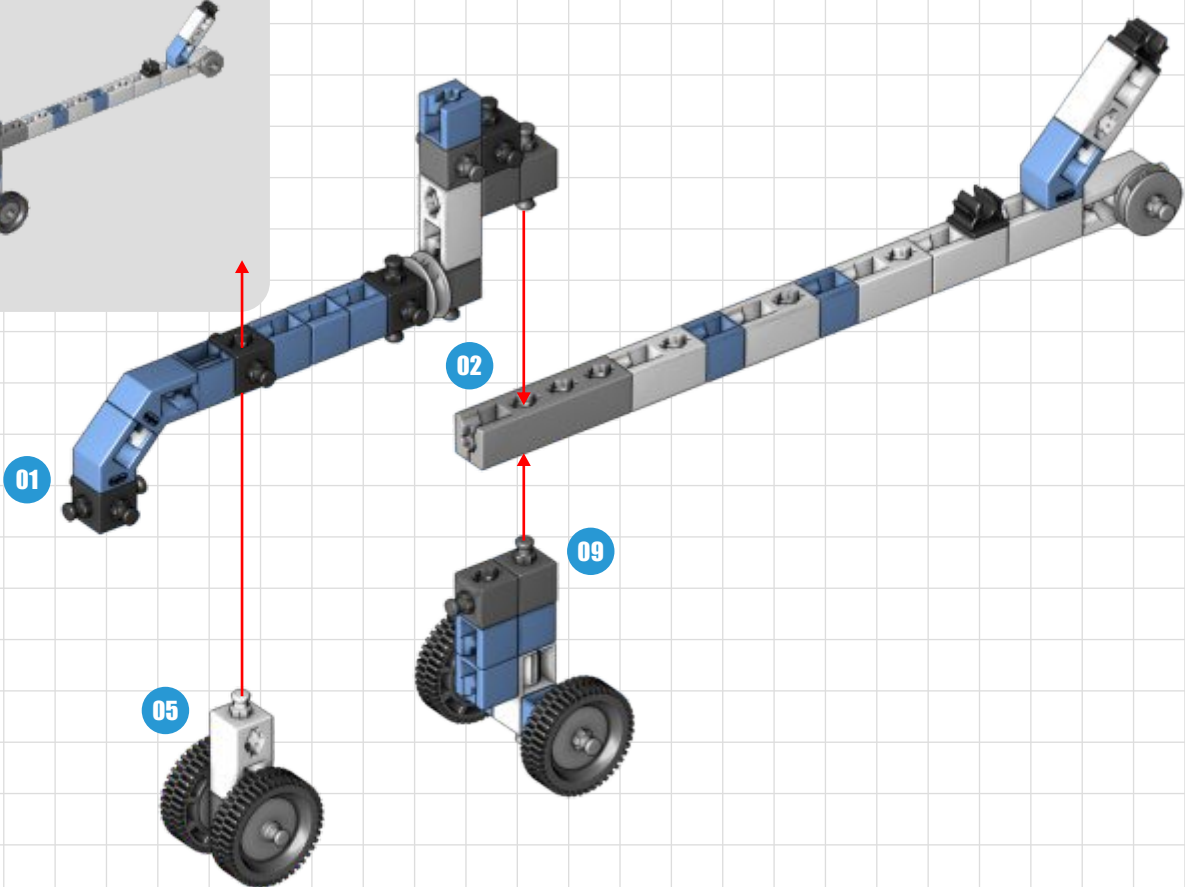
08 x2



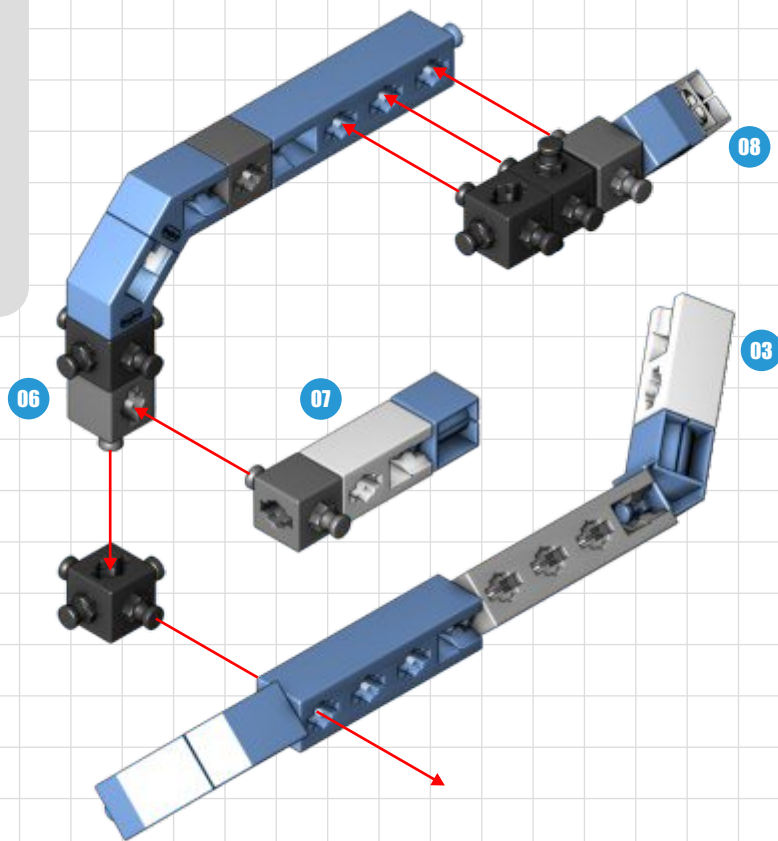
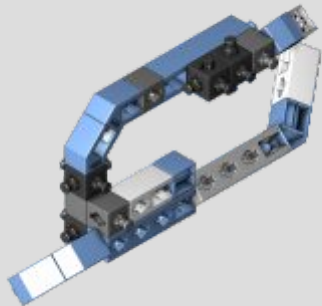
09



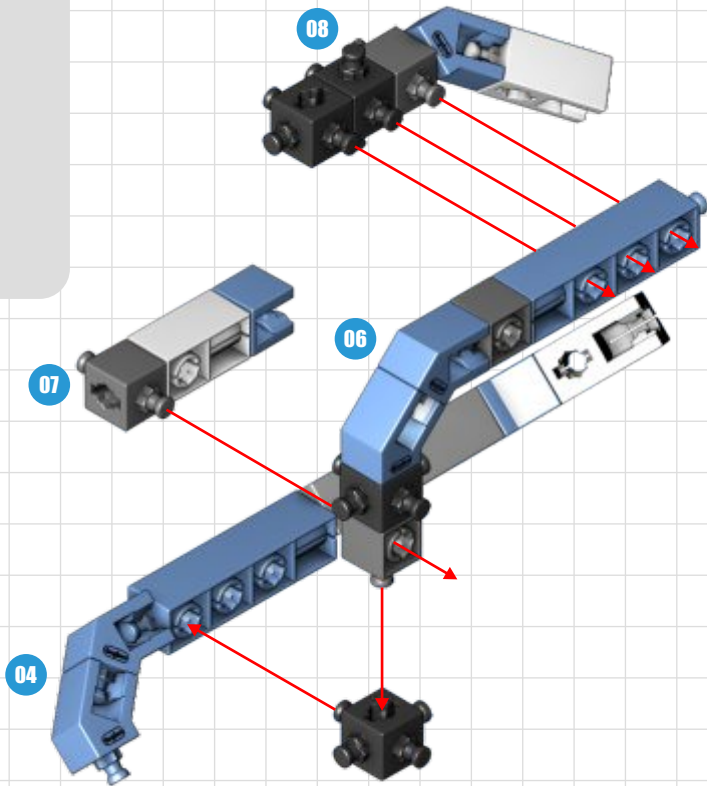
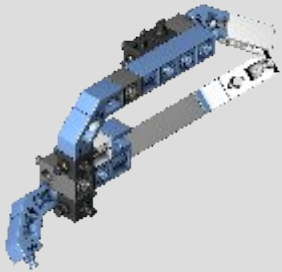
10



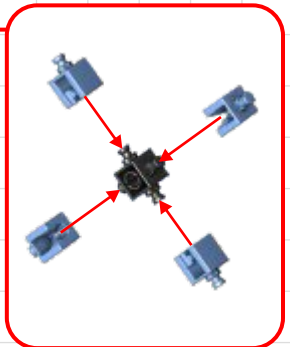
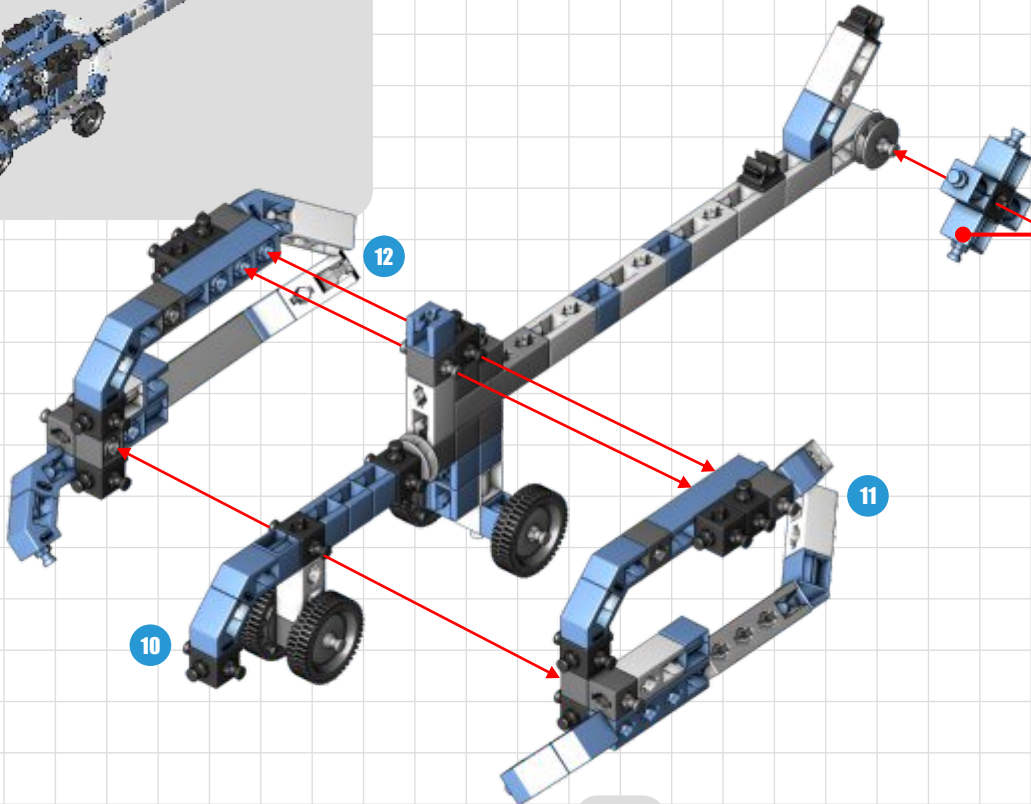
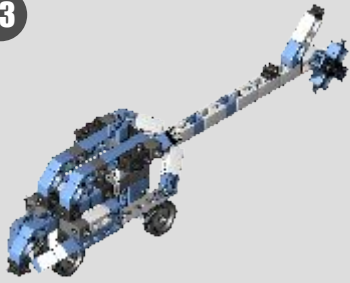
11



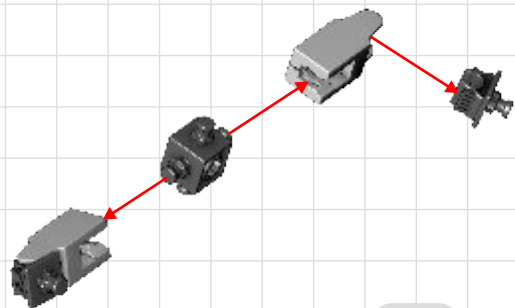
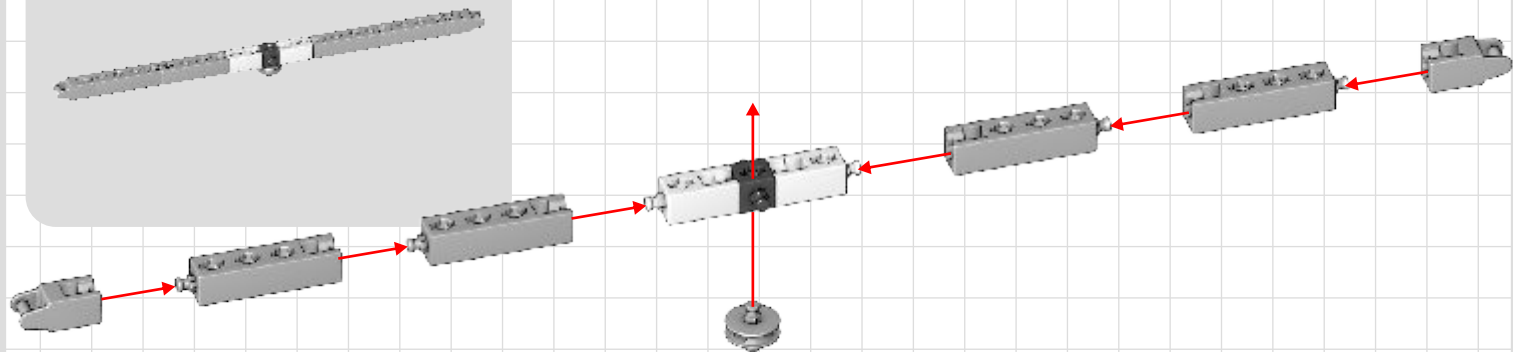
12



13



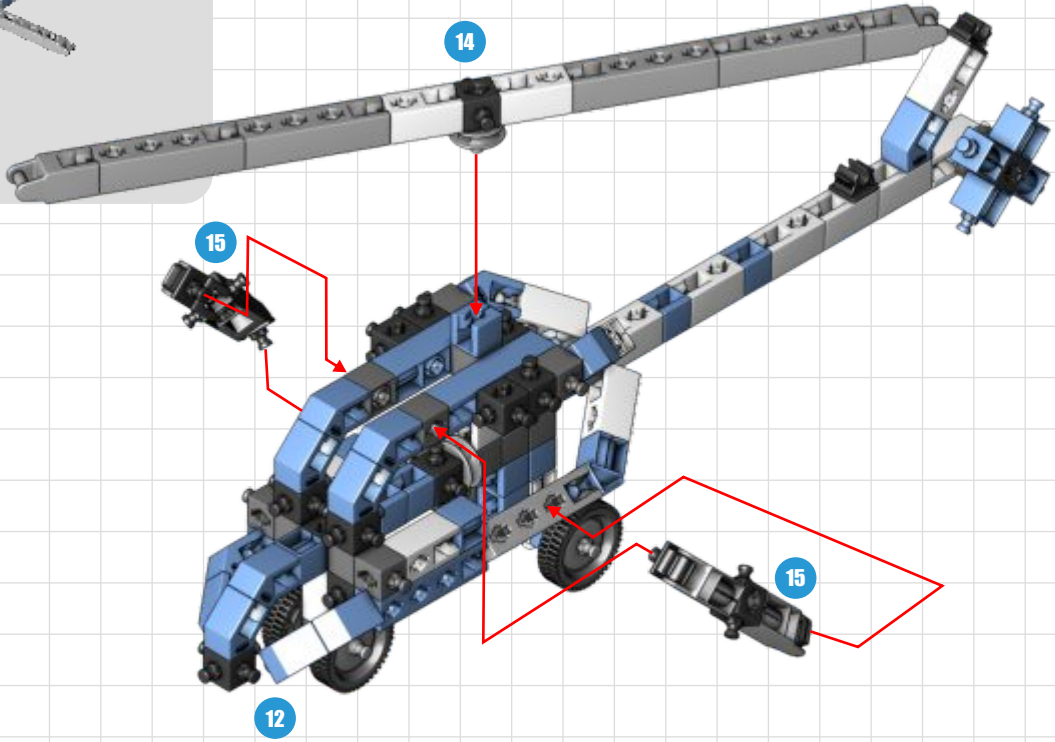
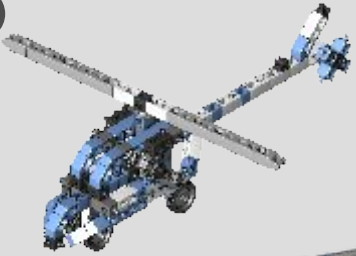
14



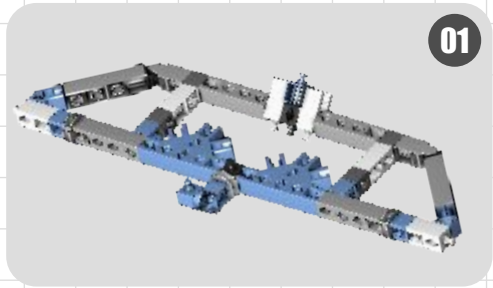
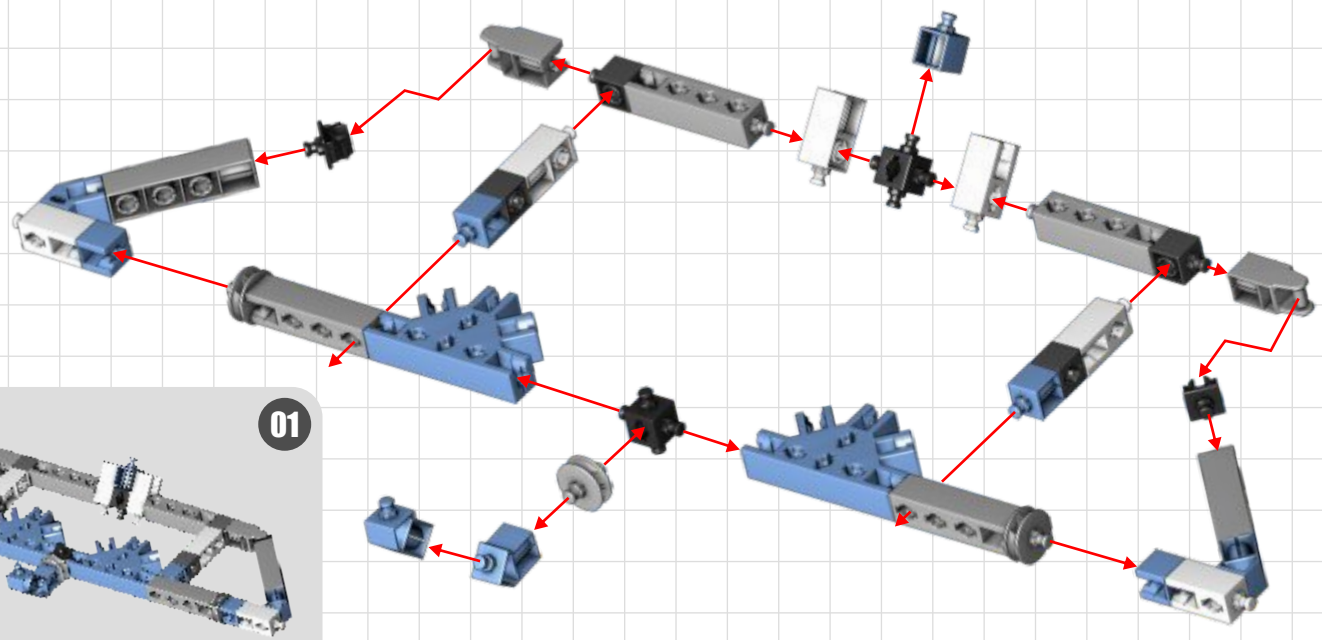
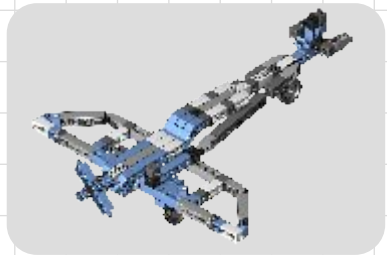
15 x2



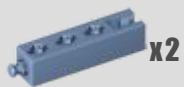
16



-  x6
-  x4
-  x2
-  x4
-  x2
-  x3
-  x5
-  x2
-  x6
-  x2



01



x2



x2



x2



x6



x2



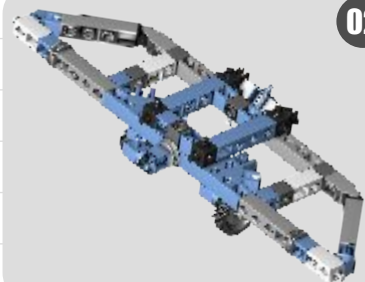
x2



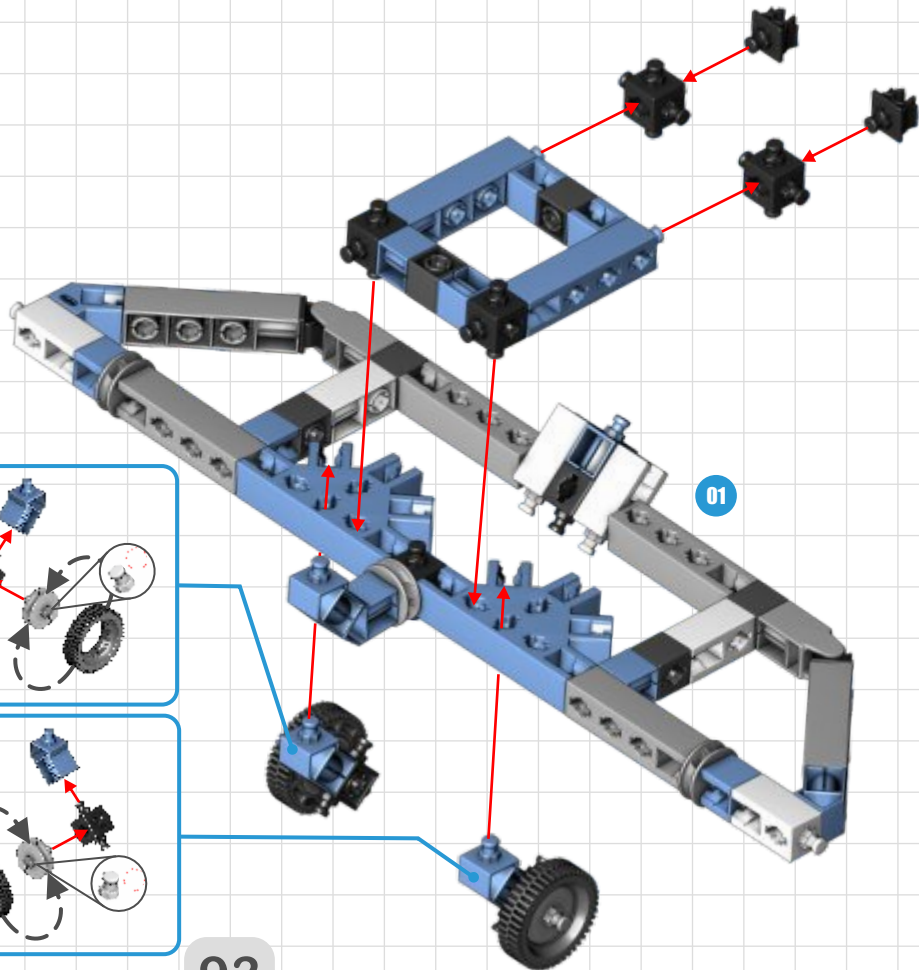
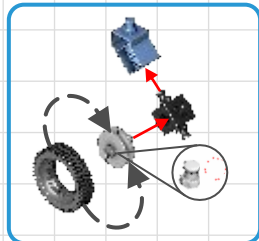
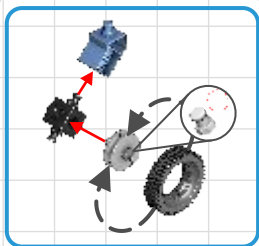
x4

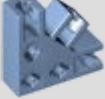
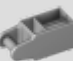

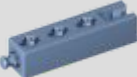









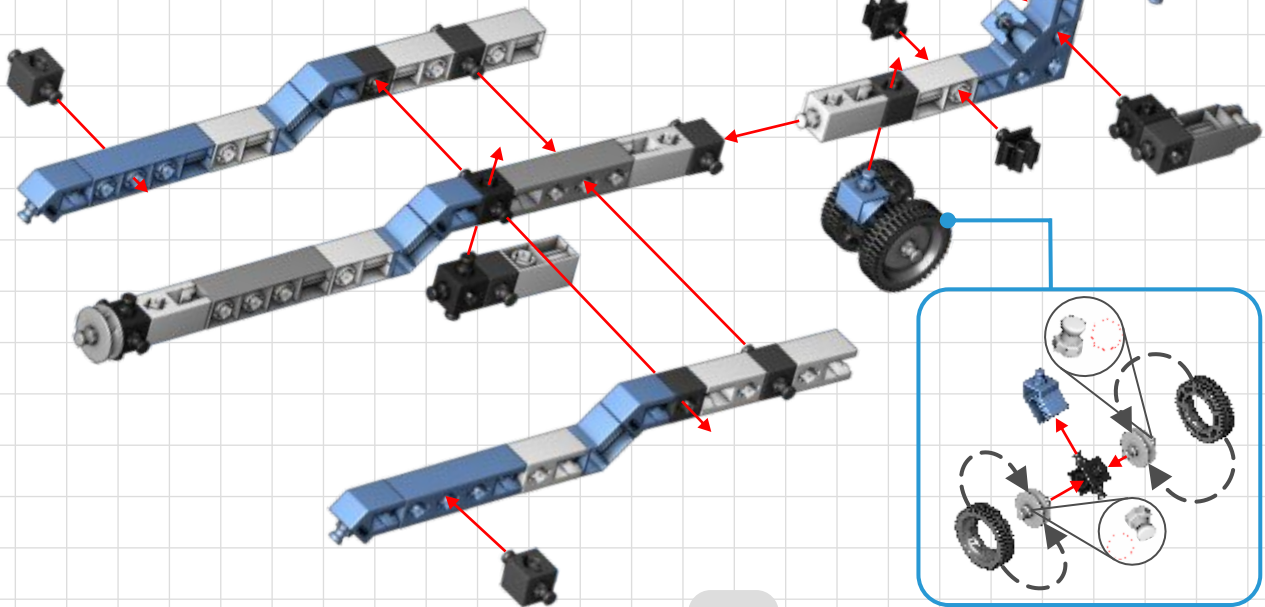
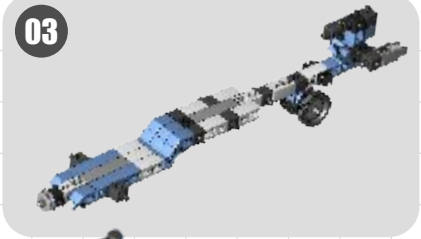
x2

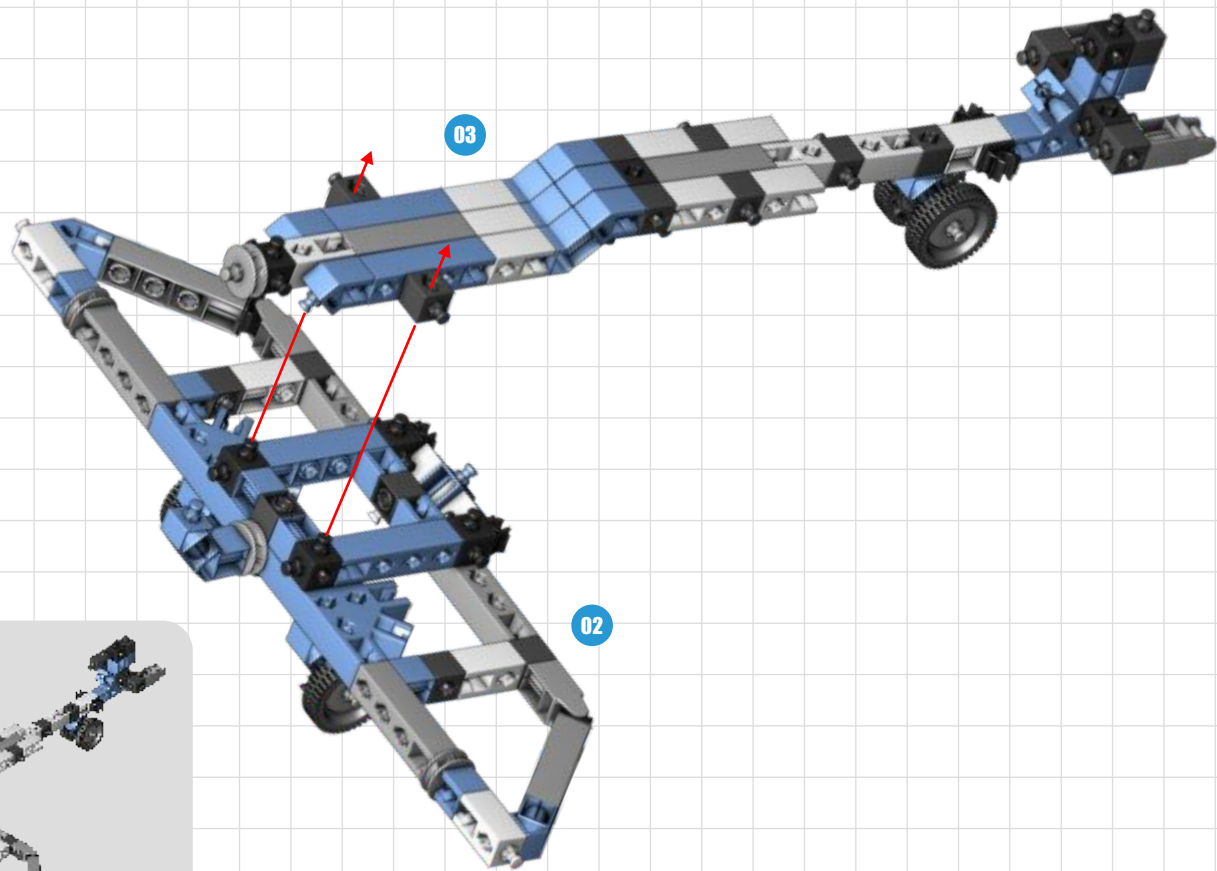


02

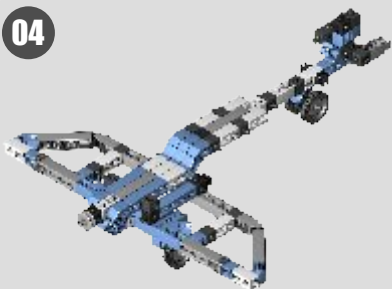


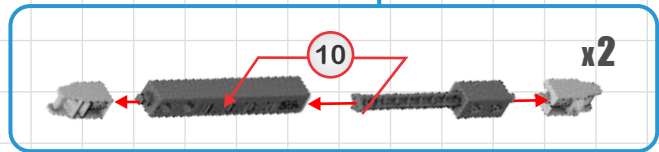
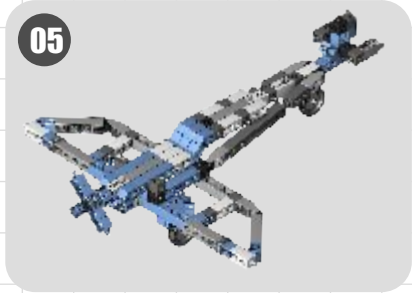
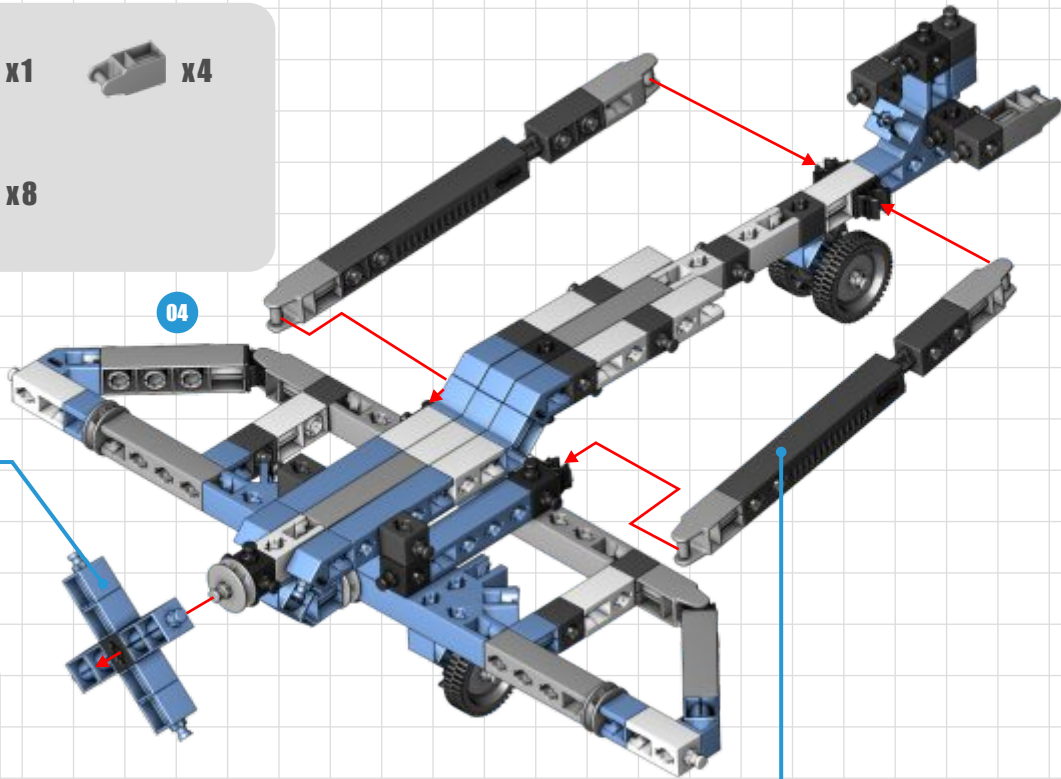
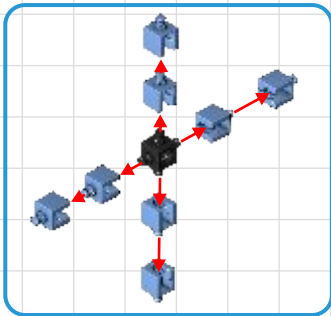
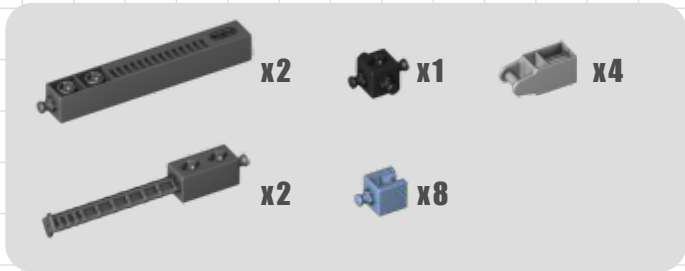
- | | | | |
|--|---|---|--|
|  x2 |  x1 |  x2 |  x2 |
|  x2 |  x1 |  x7 |  x3 |
|  x9 |  x12 |  x12 |  x2 |

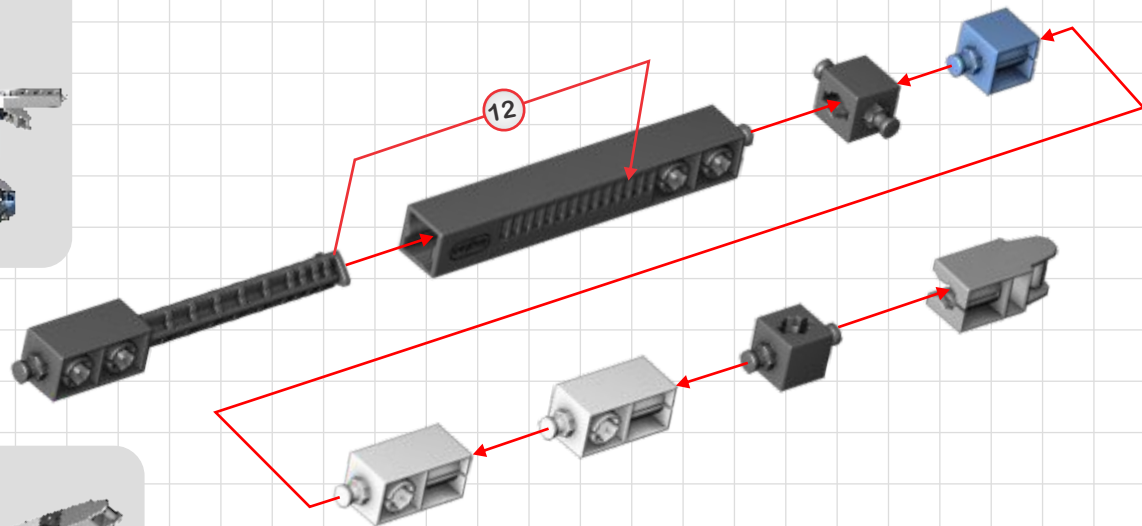
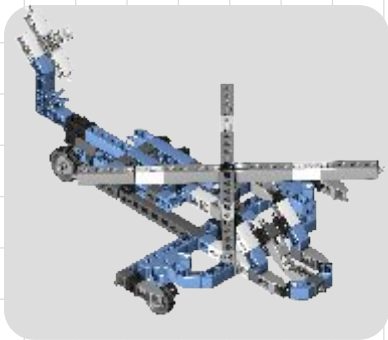




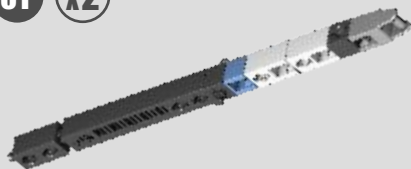
04







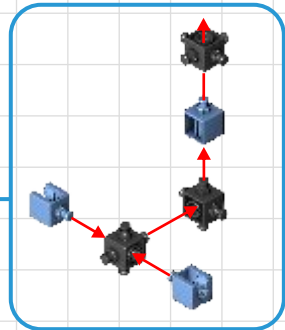
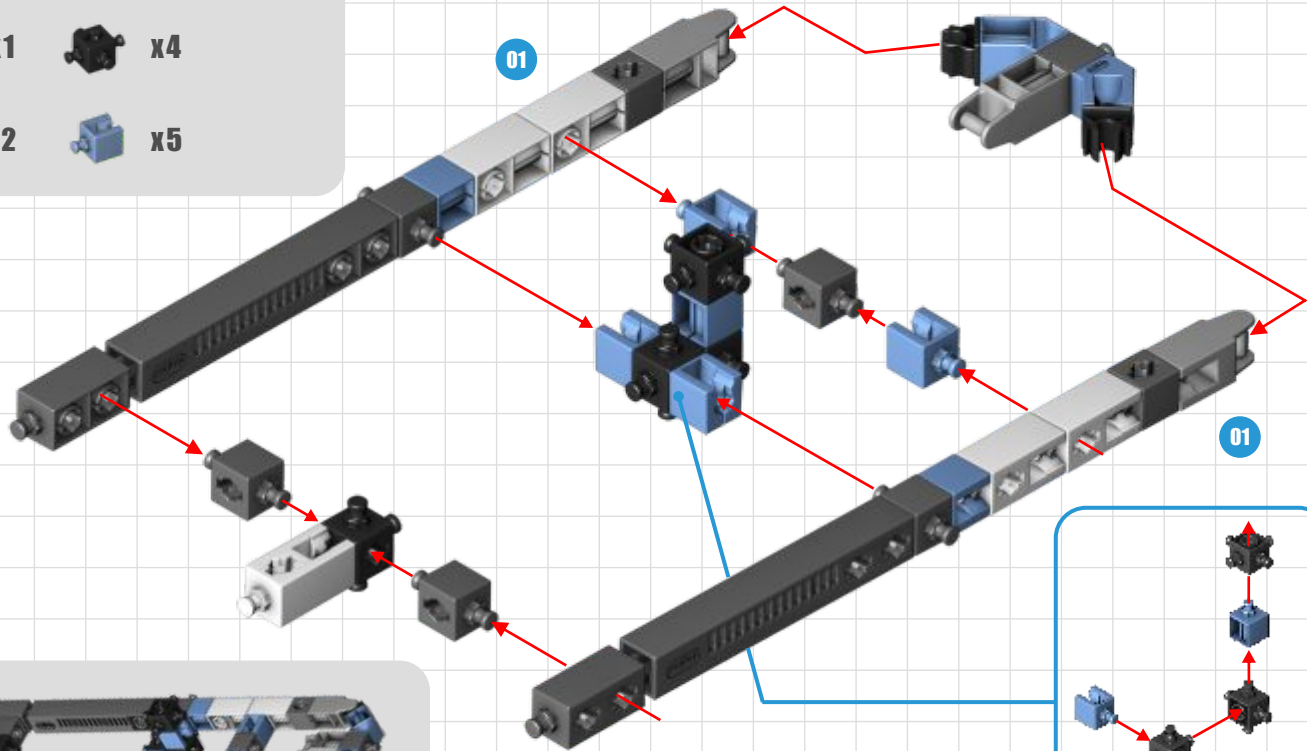
01 x2

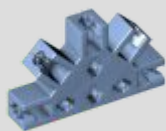


Grey Technic 1x3 Pin Connector x1 Black Technic 1x2 Pin Connector x4 Blue Technic 1x2 Pin Connector x2

White Technic 1x3 Pin Connector x1 Black Technic 1x2 Pin Connector x4

Black Technic 1x2 Pin Connector x2 Blue Technic 1x2 Pin Connector x5





x1



x2



x2



x1



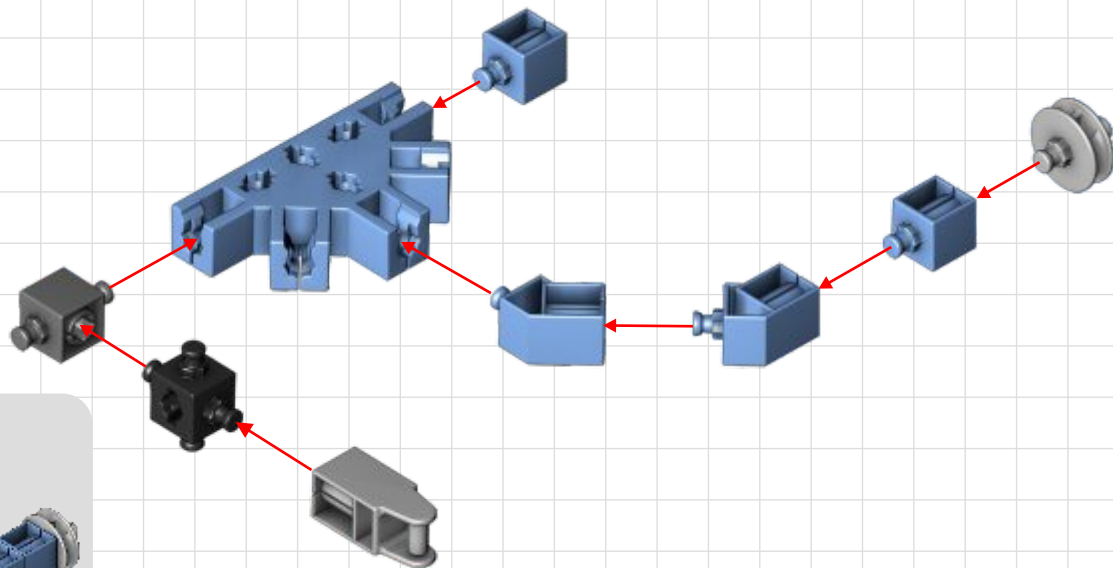
x1



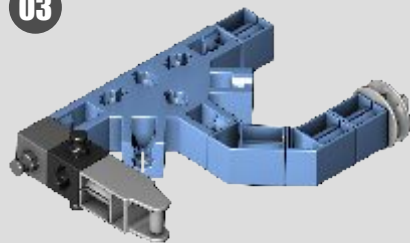
x1

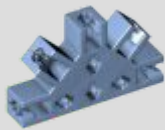


x1



03





x1



x2



x2



x1



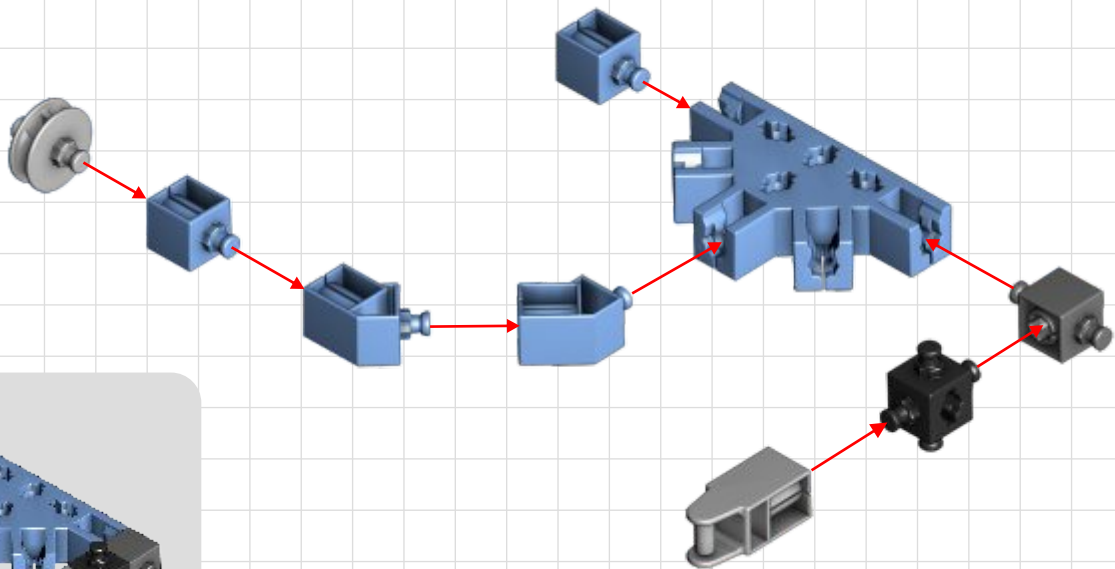
x1



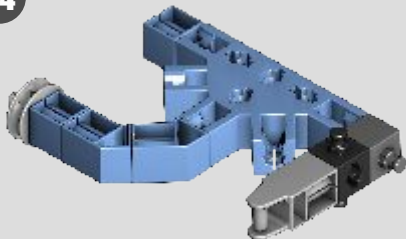
x1



x1



04





x2



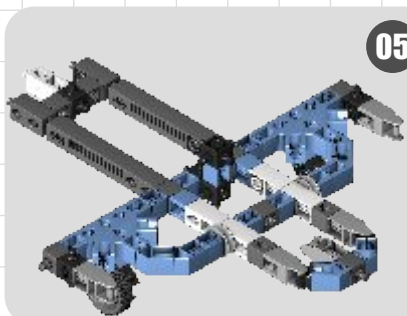
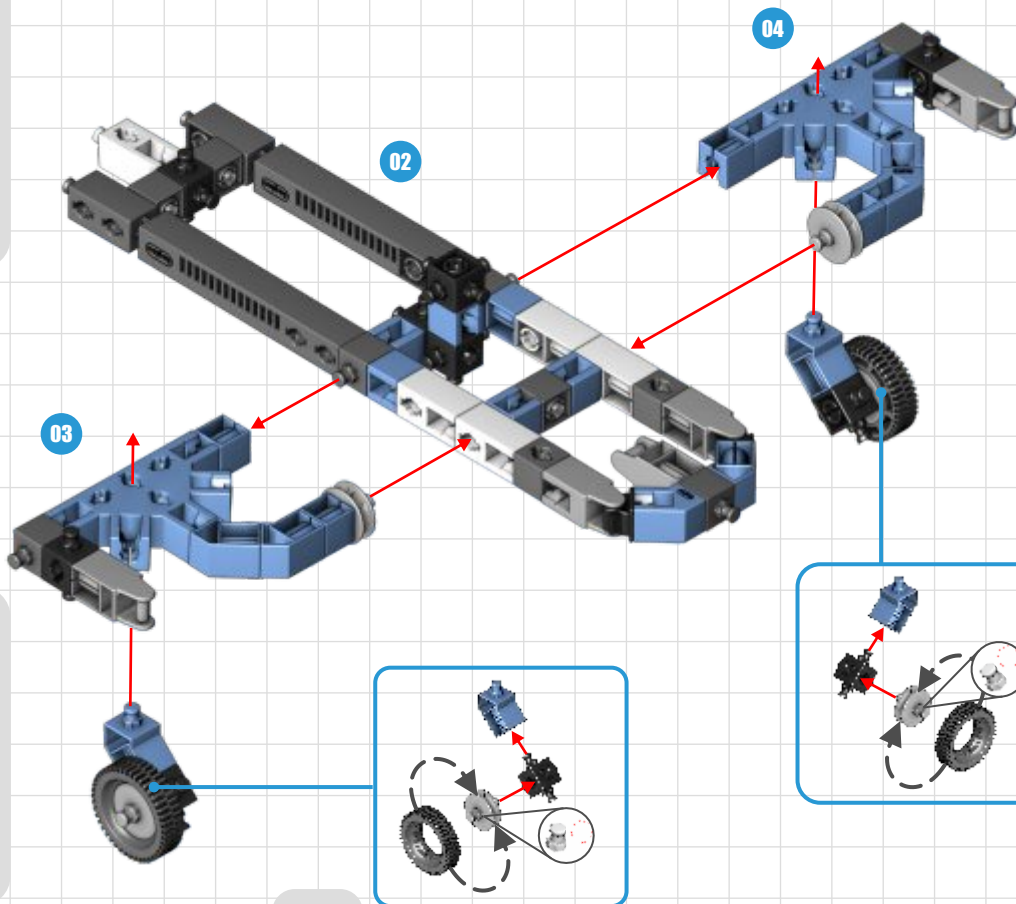
x2

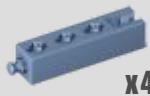


x2

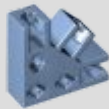


x2





x4



x1



x8



x2



x3



x6



x9



x6



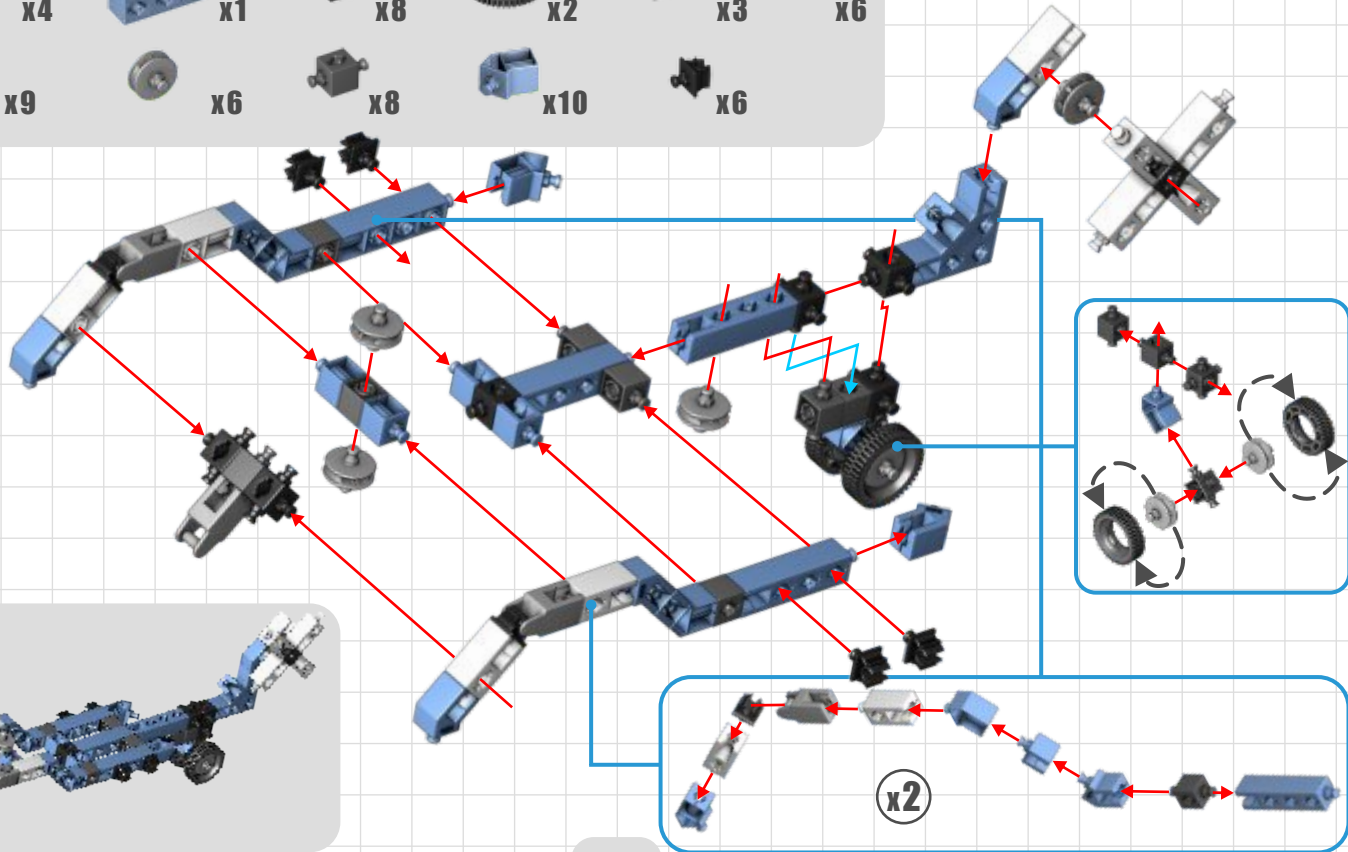
x8



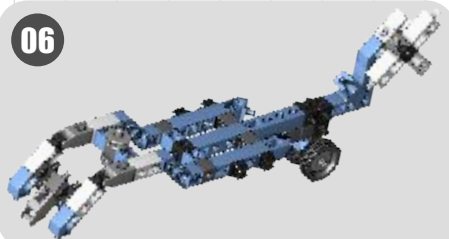
x10



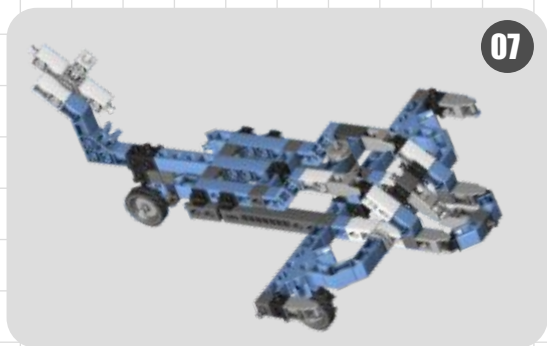
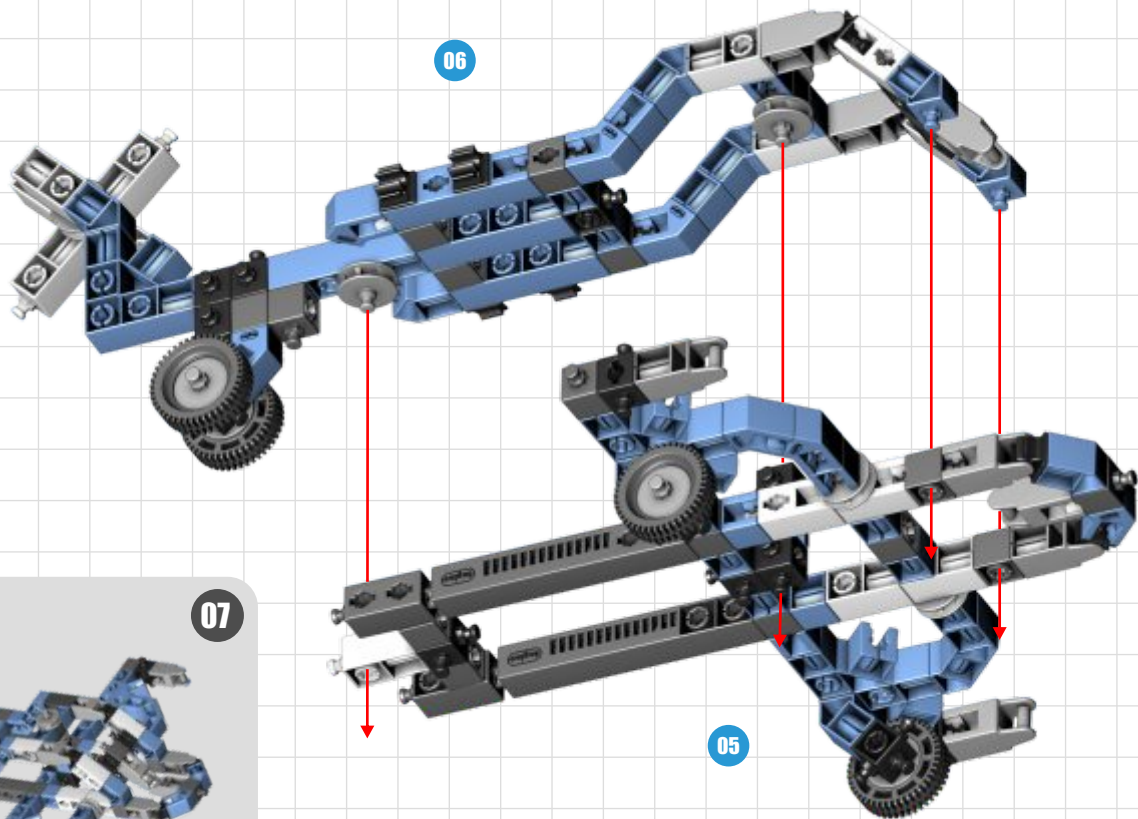
x6



06



x2





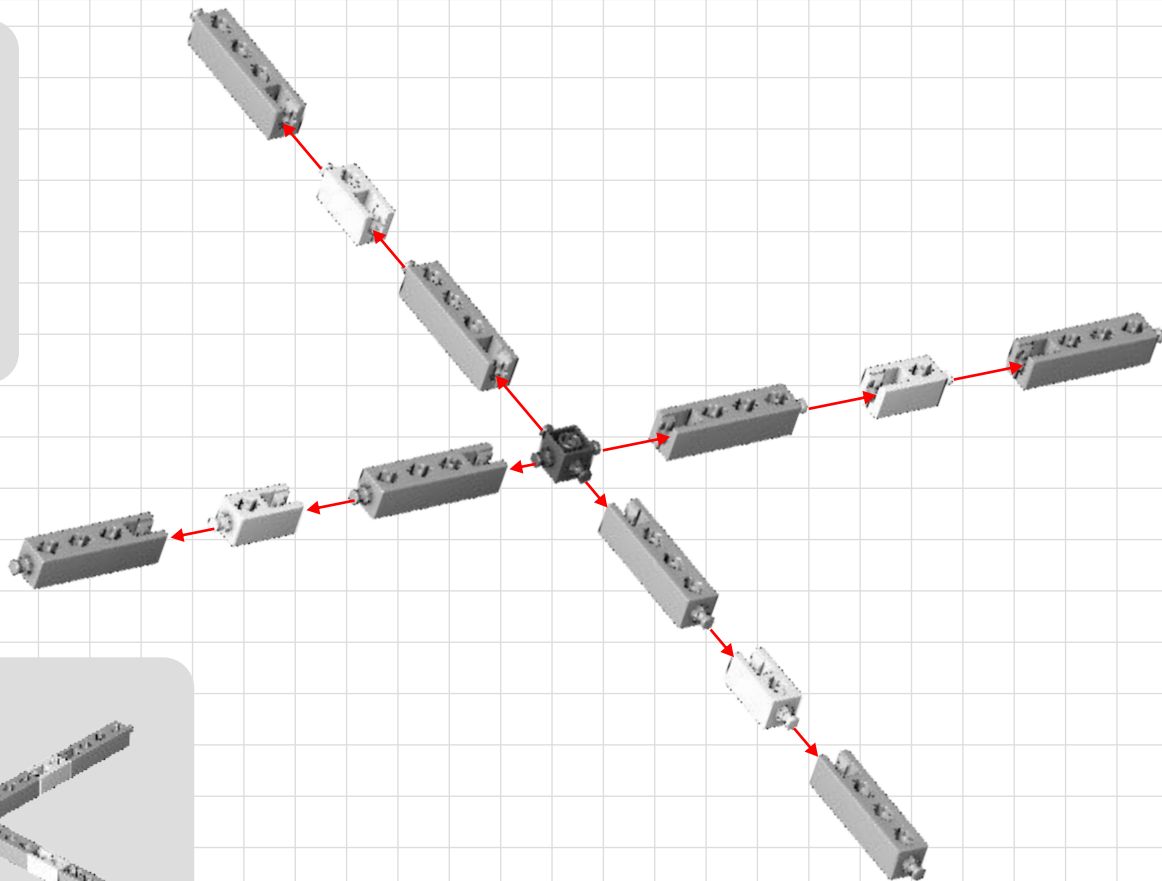
x8



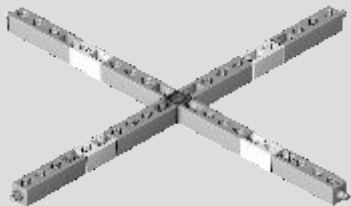
x4

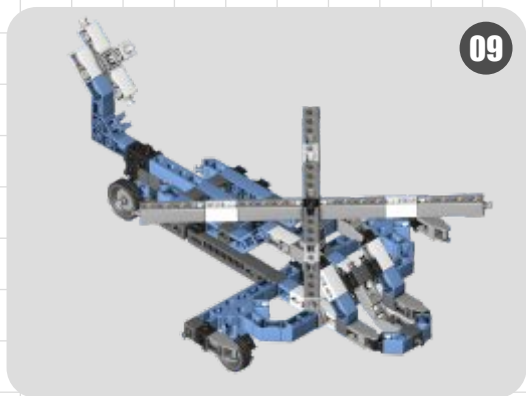
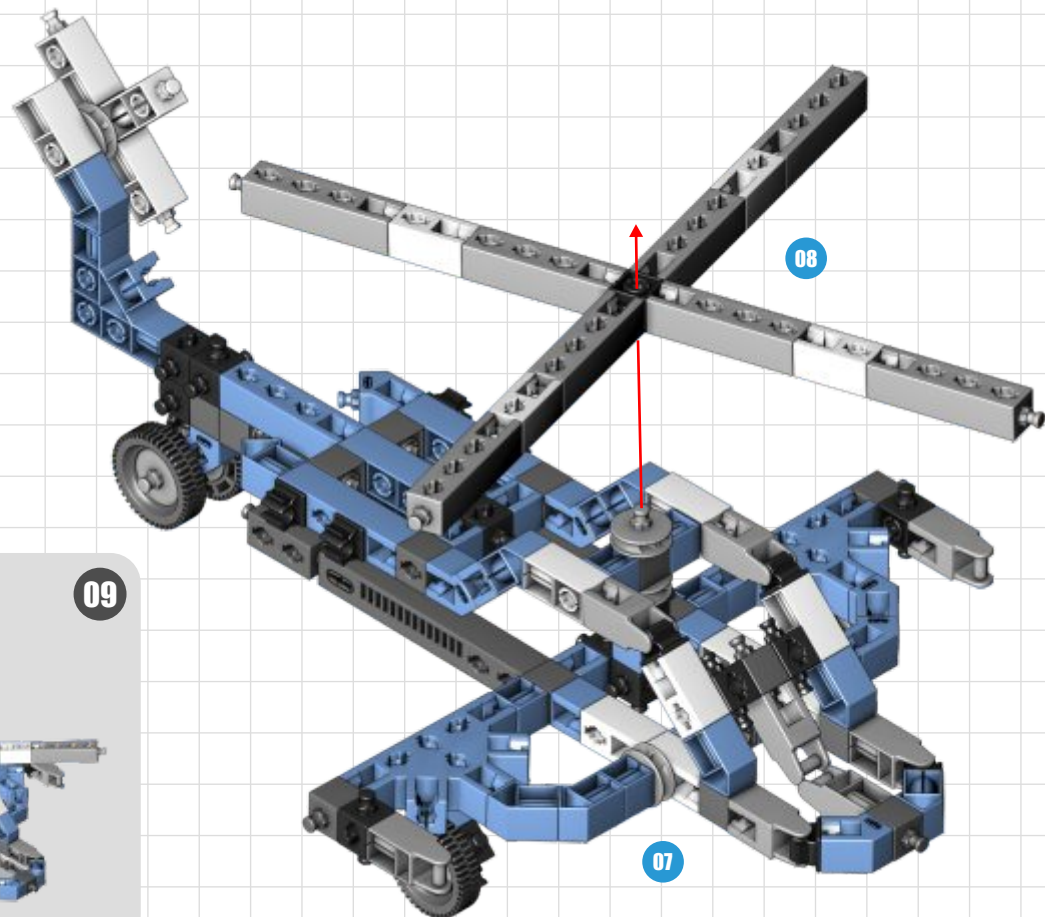


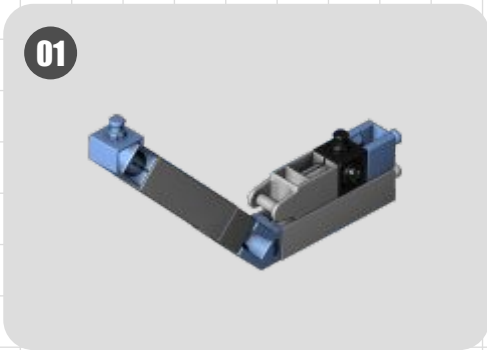
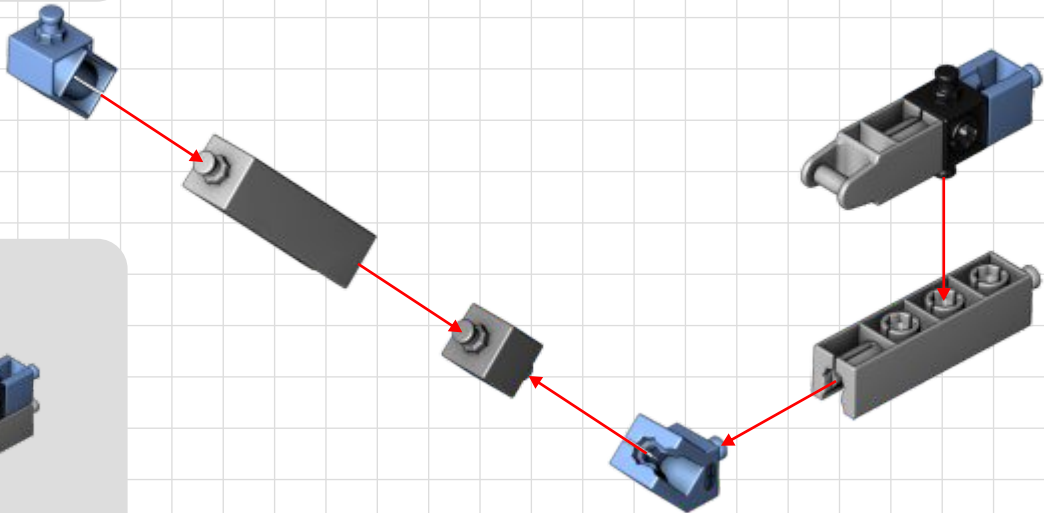
x1



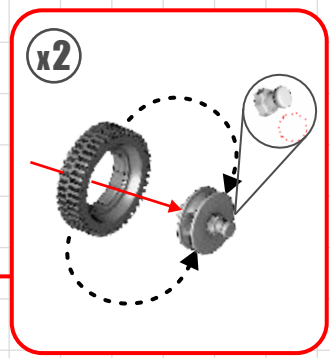
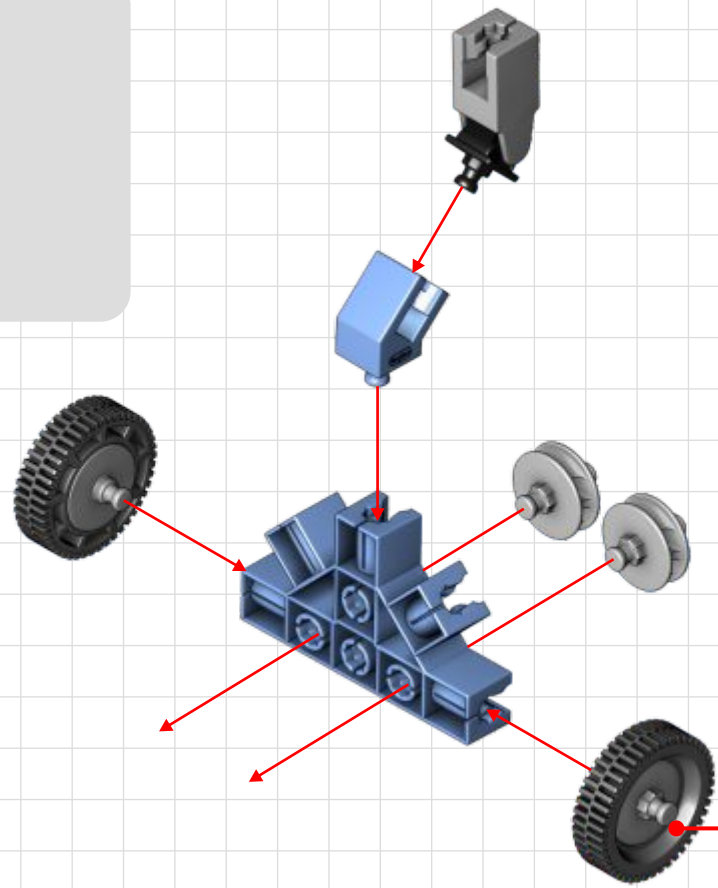
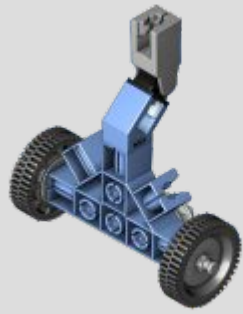
08



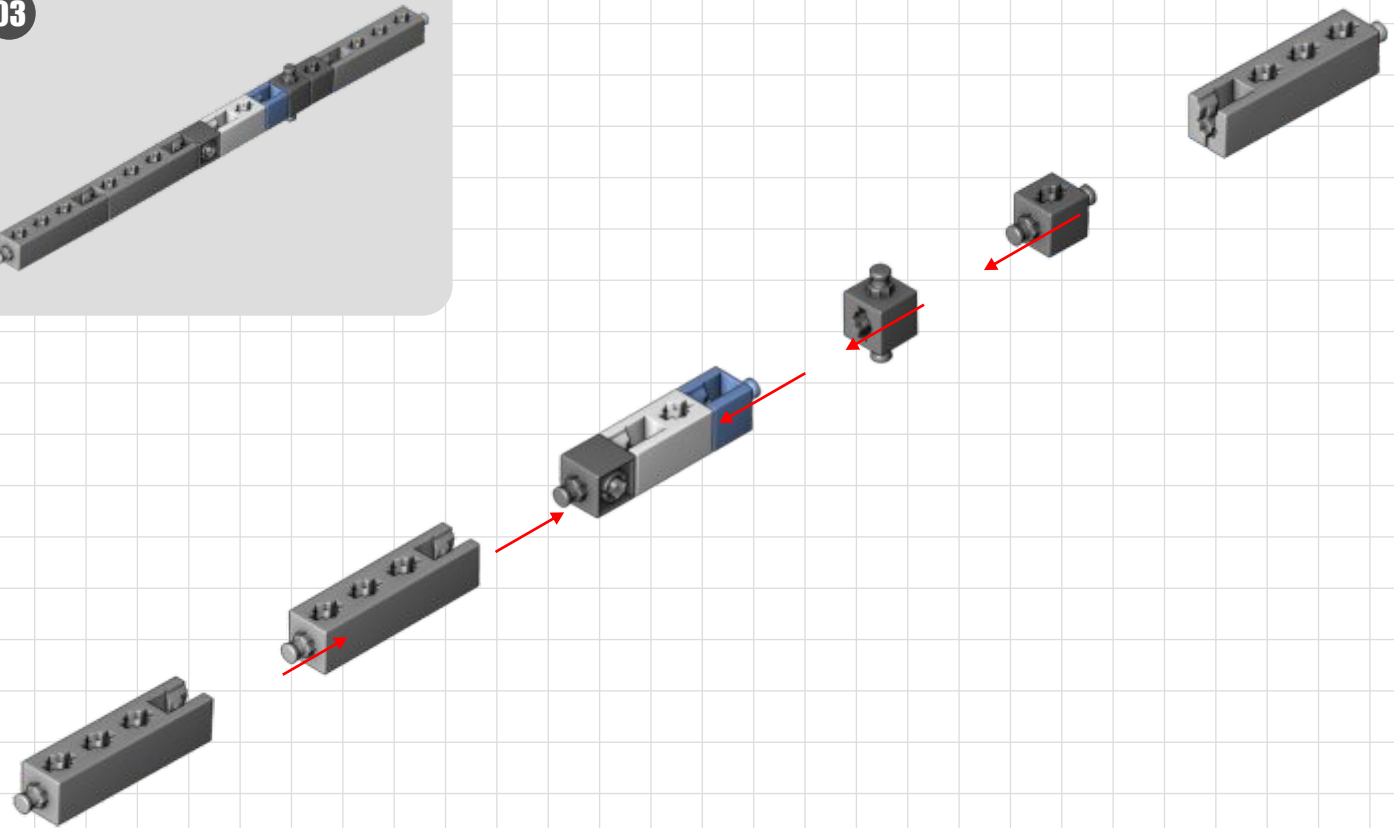
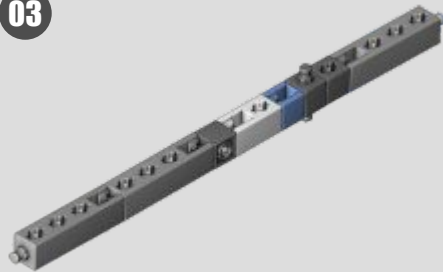




02



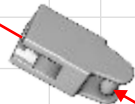
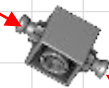
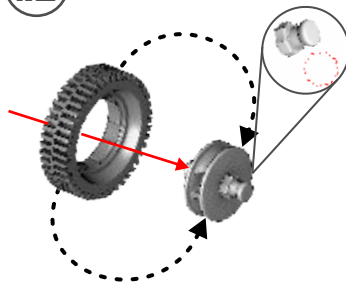
03



04

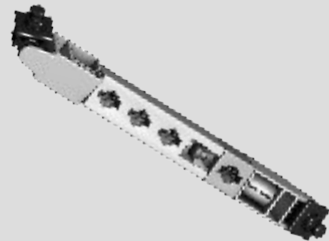


x2



05

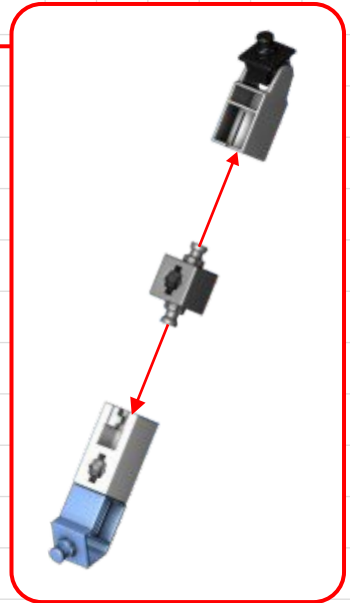
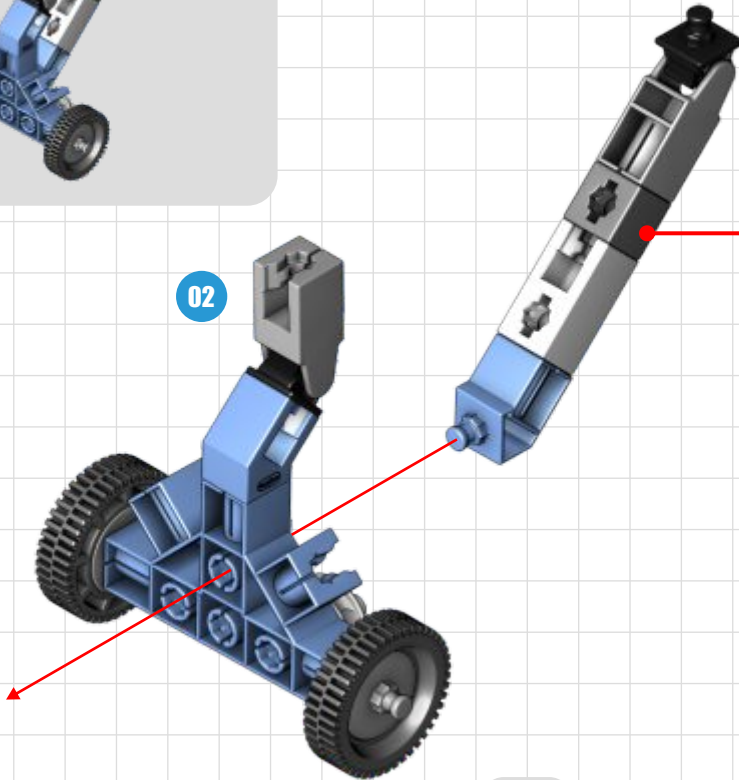
x2



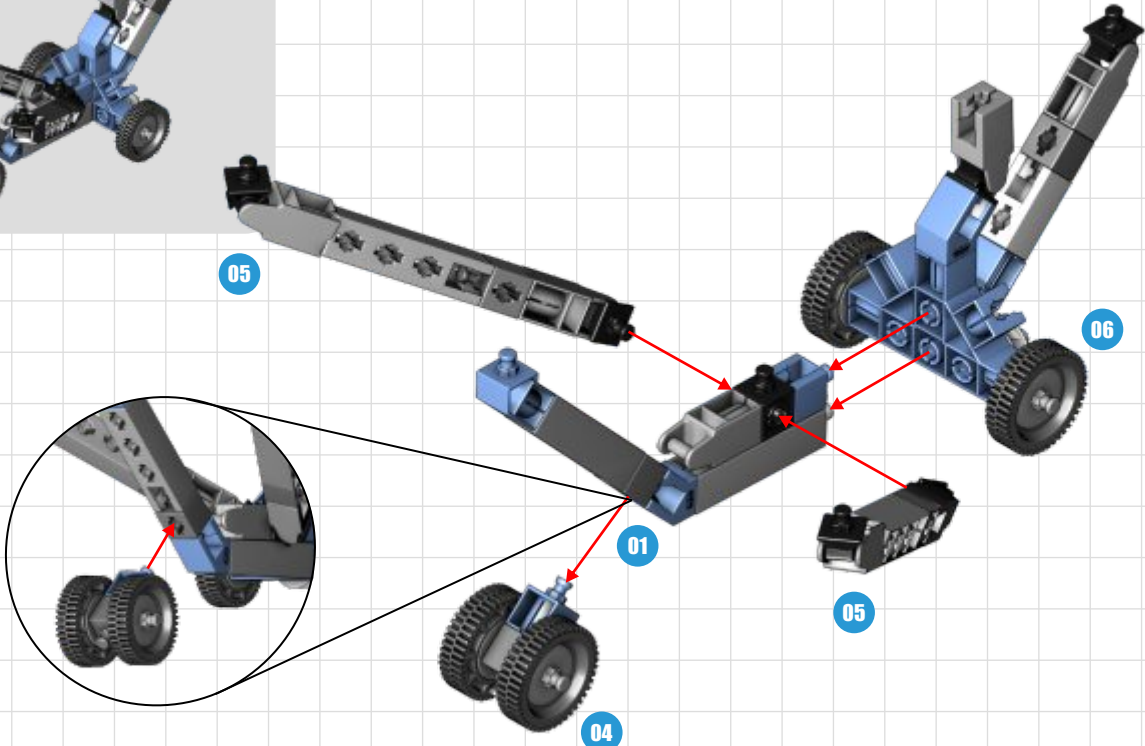
06



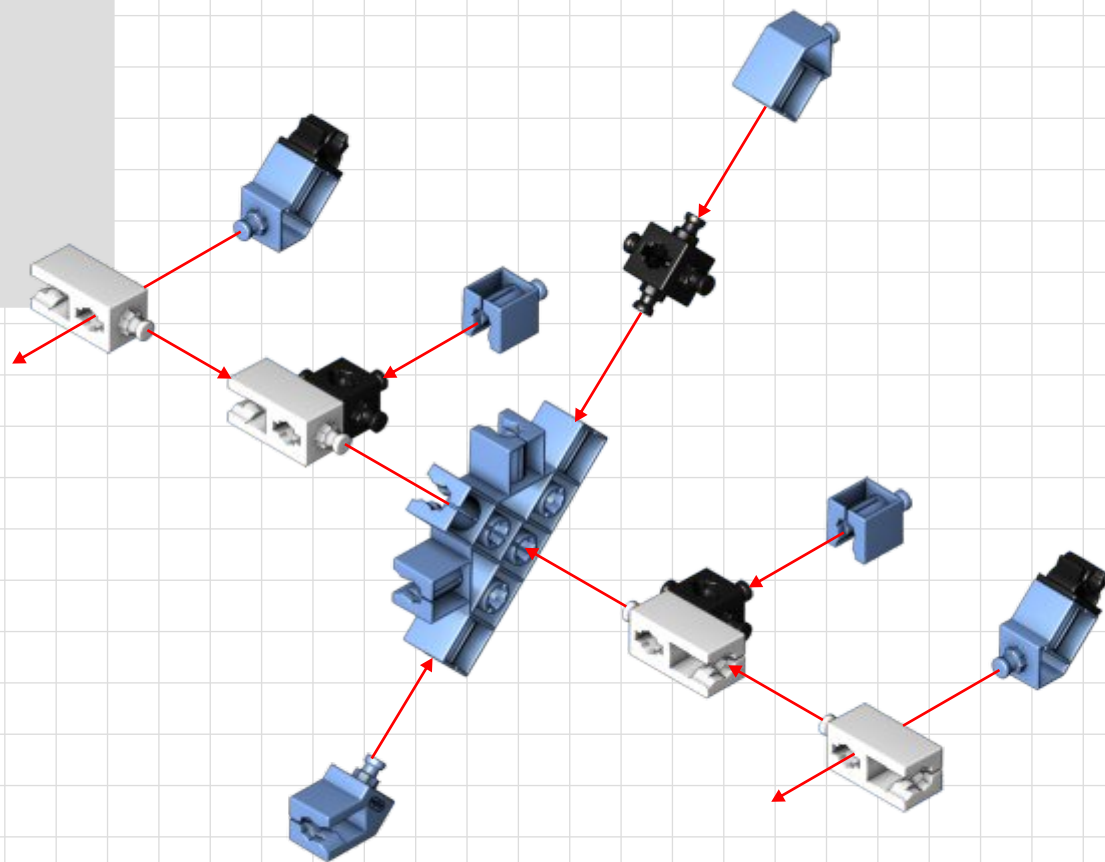
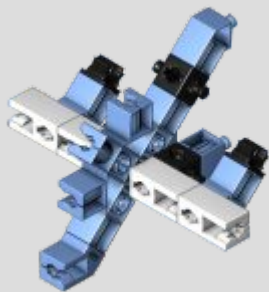
02



07



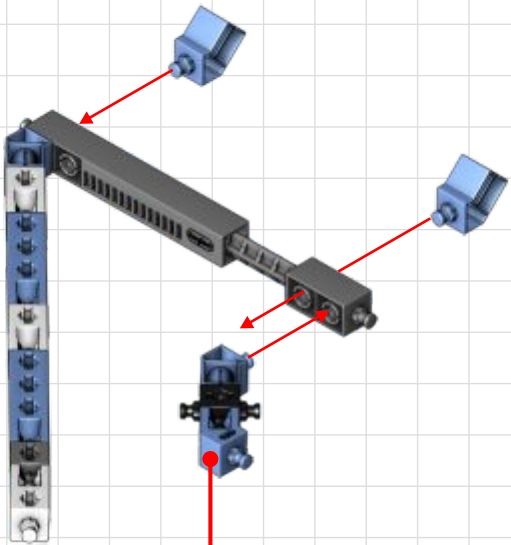
08



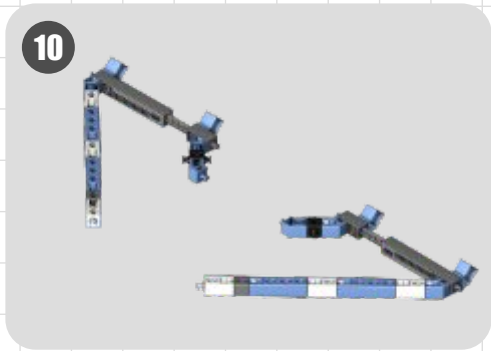
09 x2



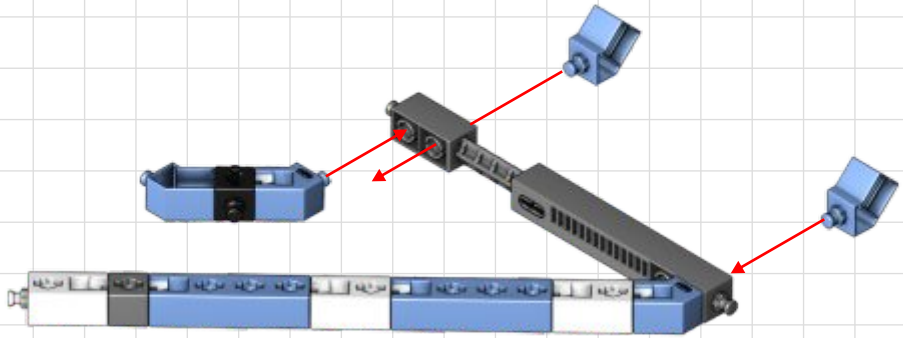
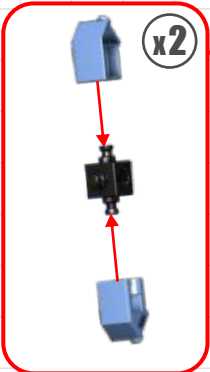
09



10

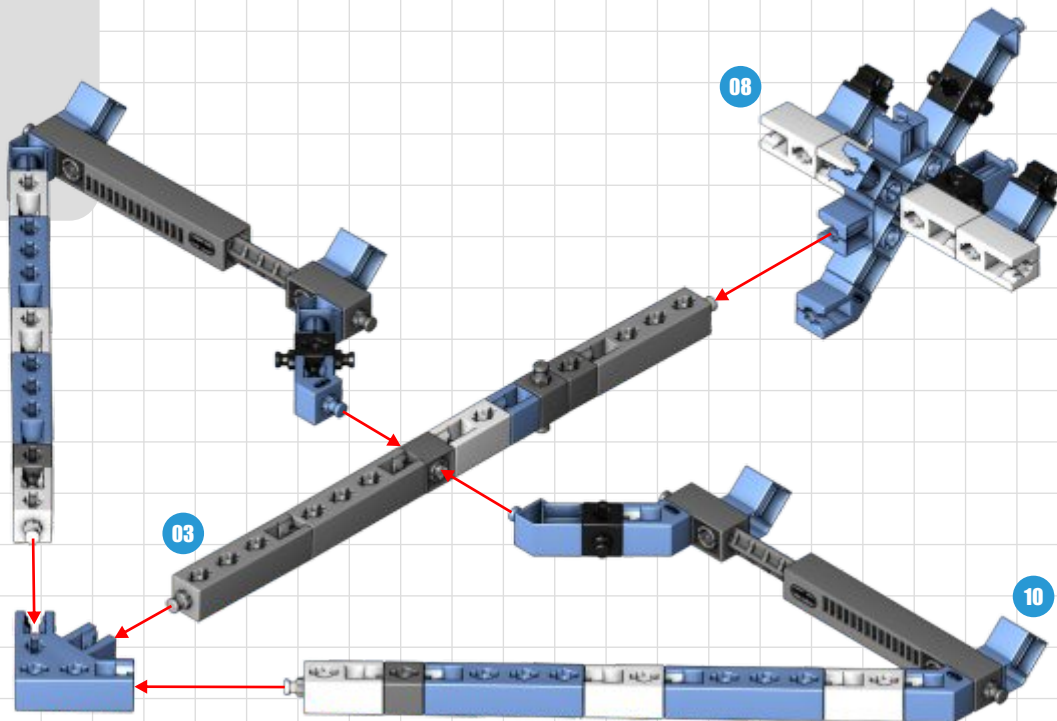
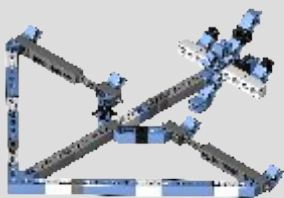


x2



09

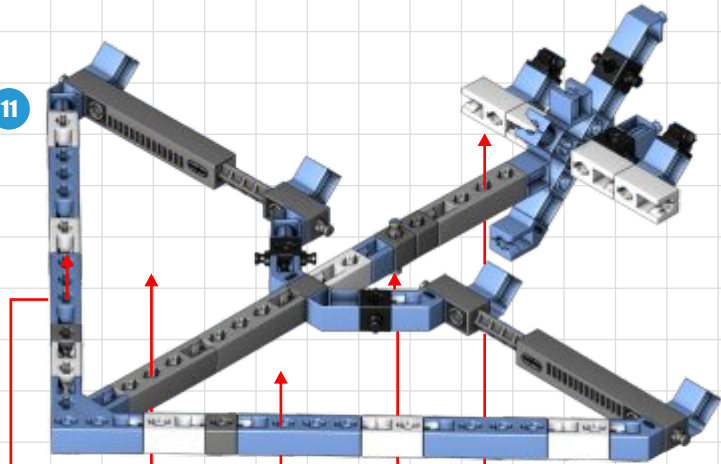
11



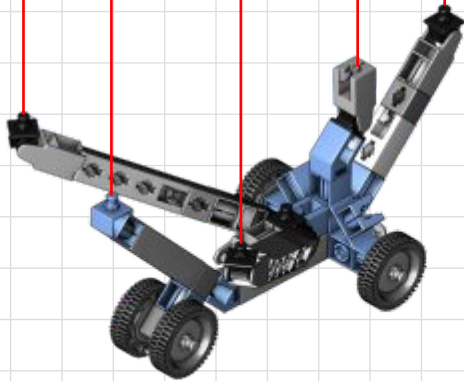
12

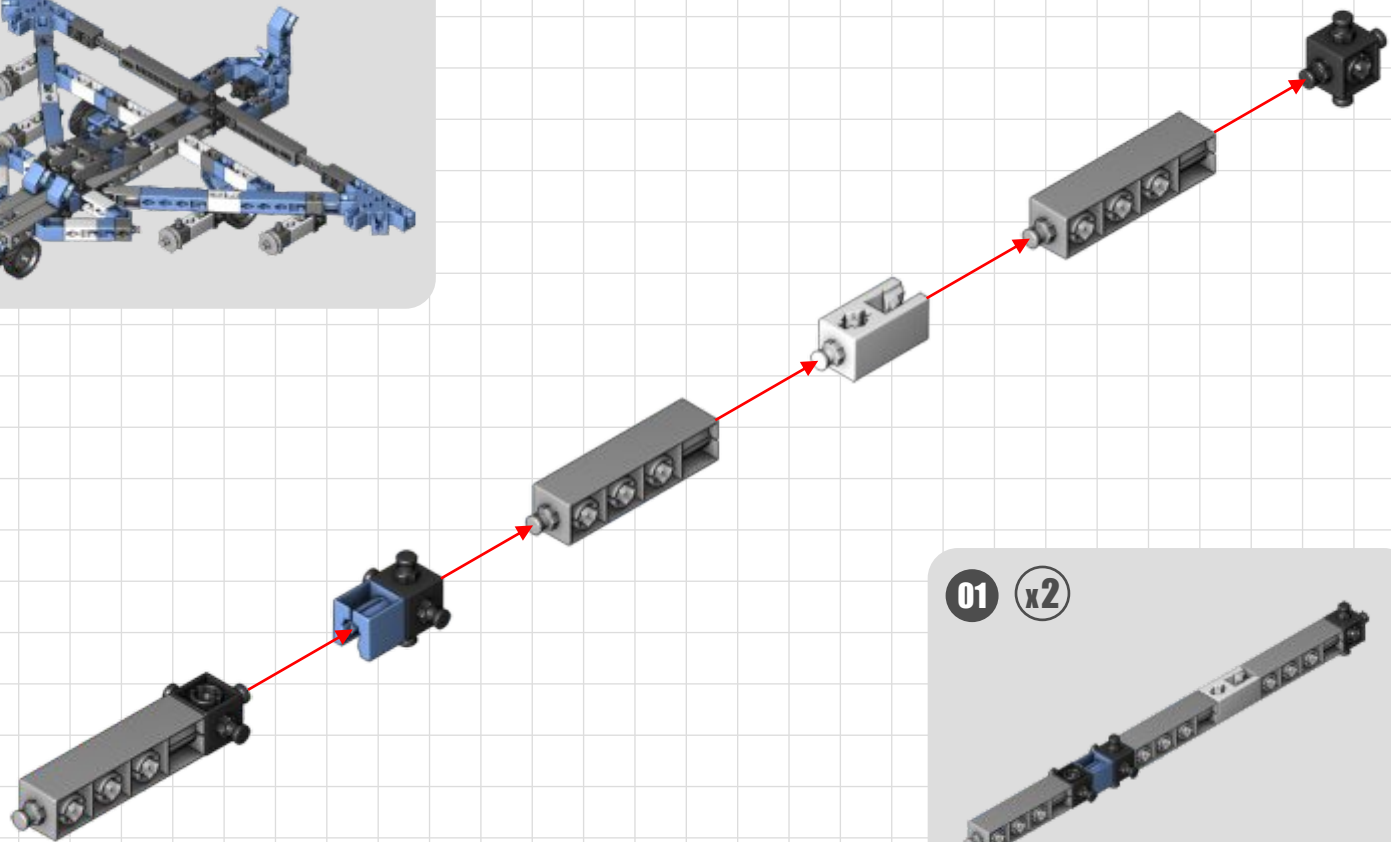
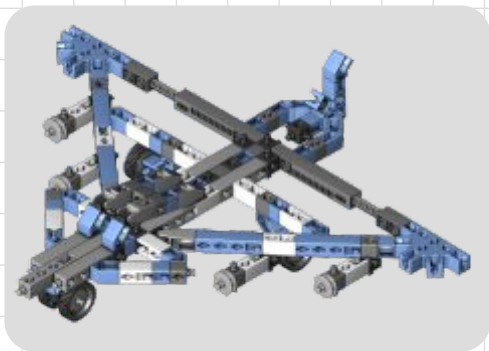


11

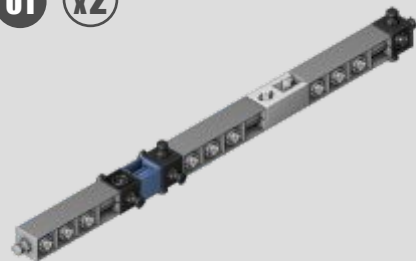


07

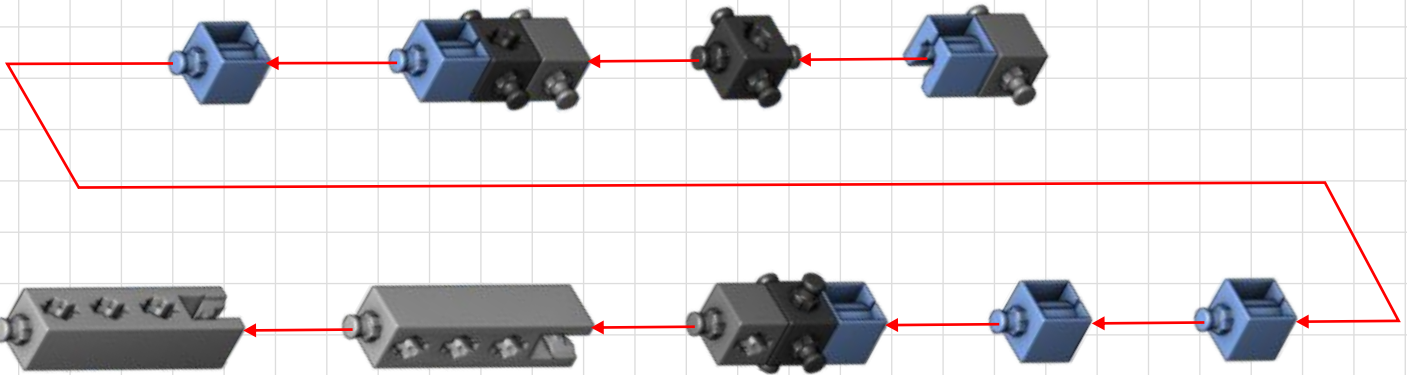




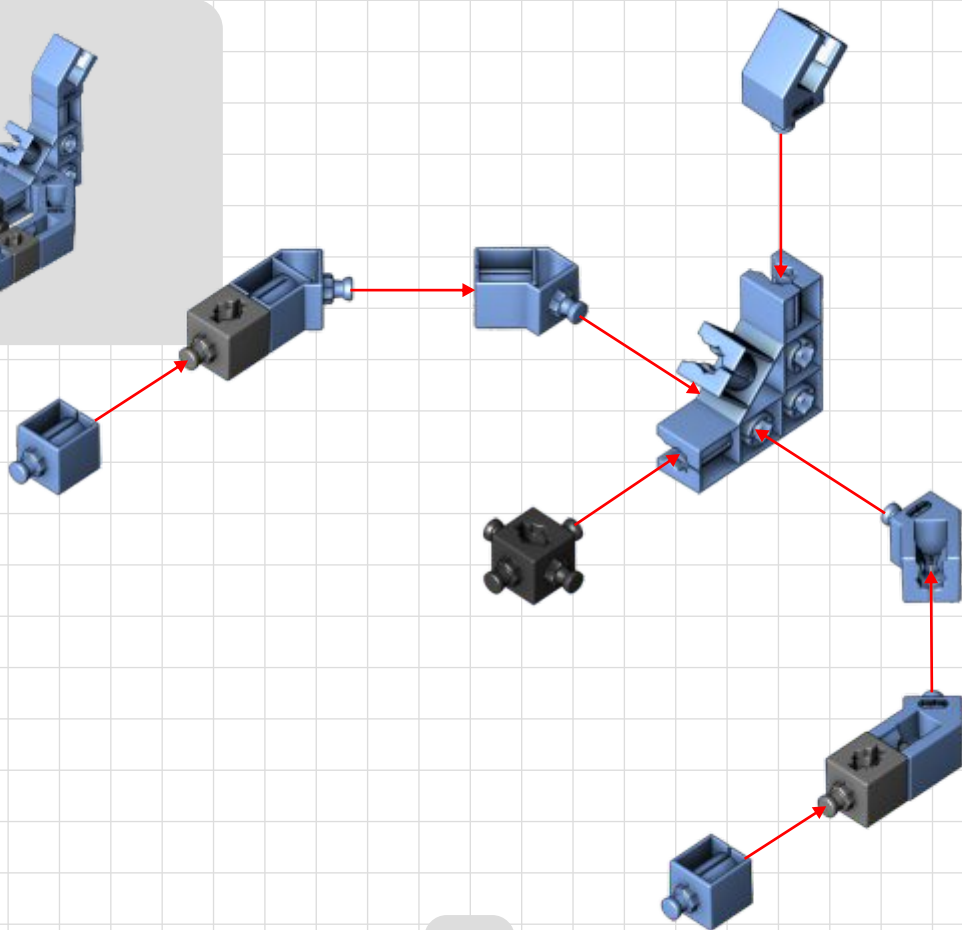
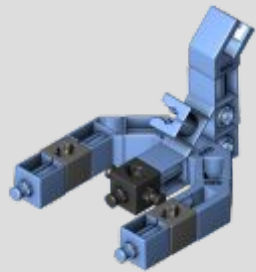
01 x2



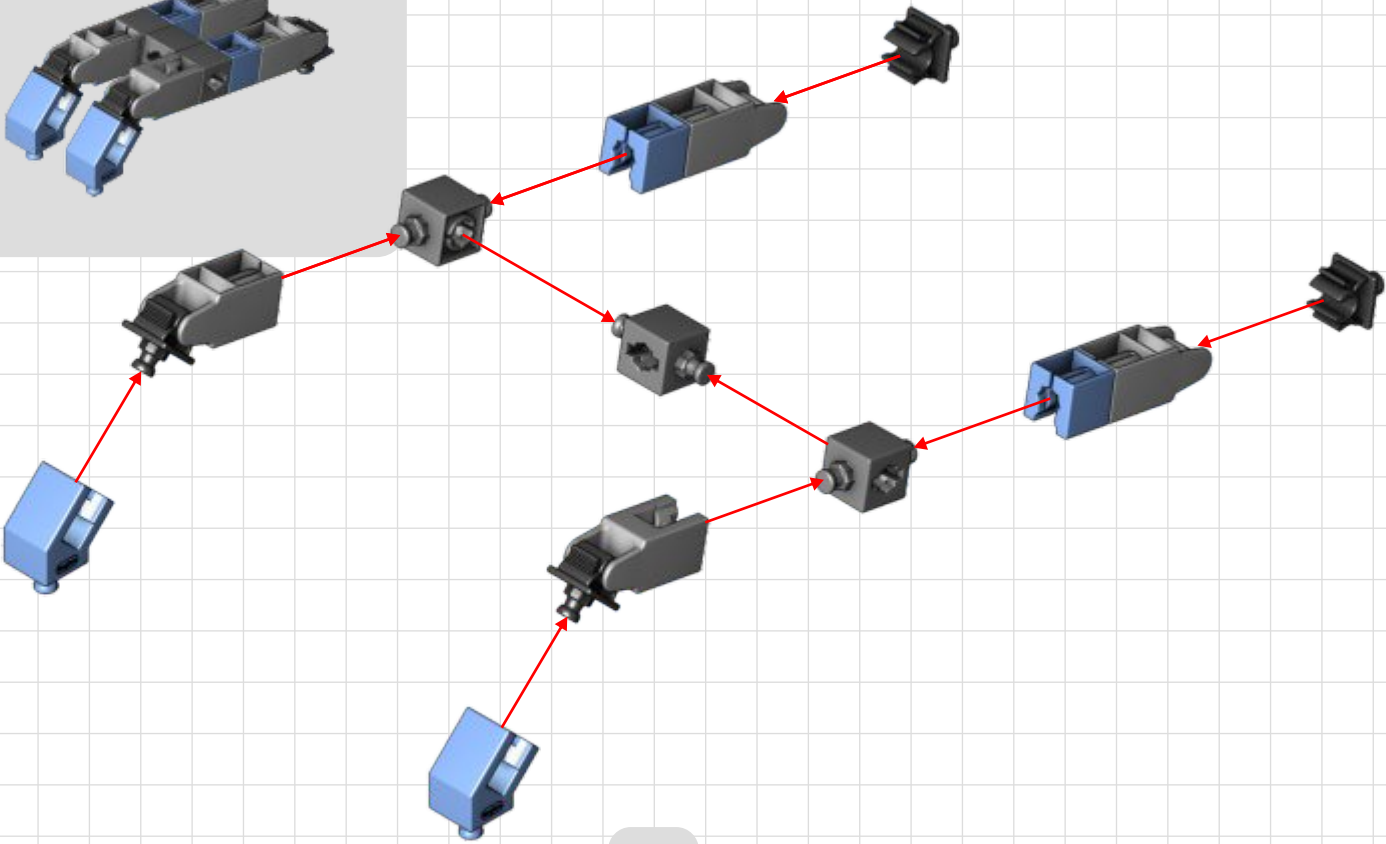
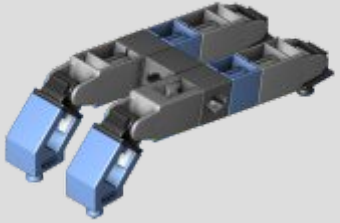
02



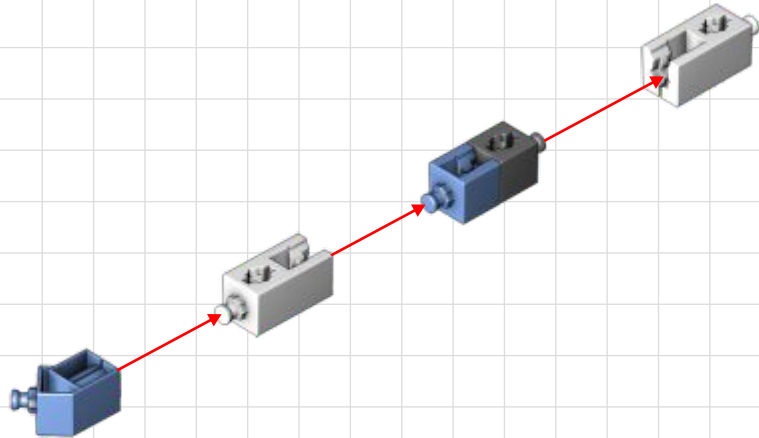
03



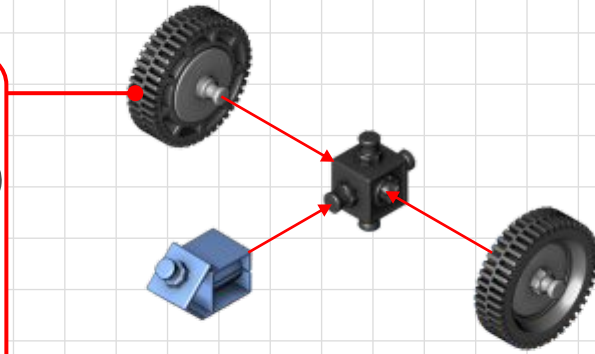
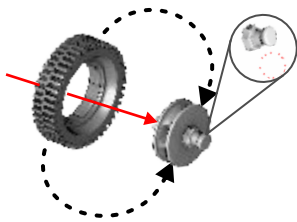
04



05 x2



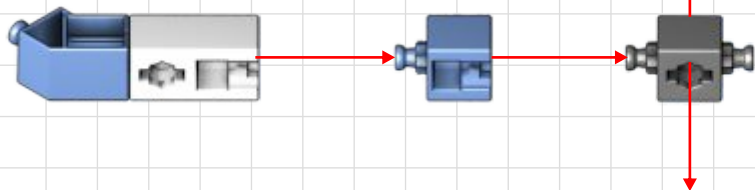
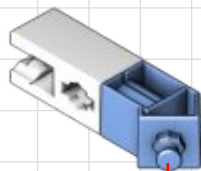
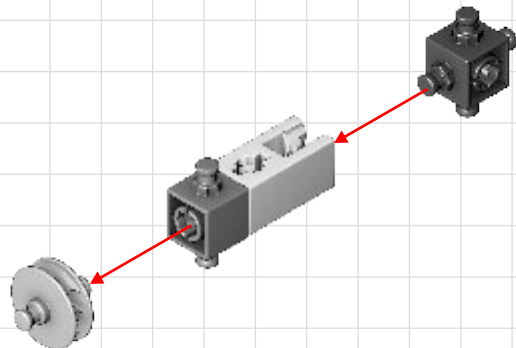
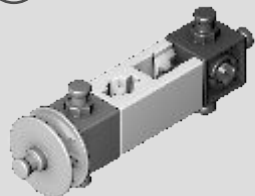
x2



06



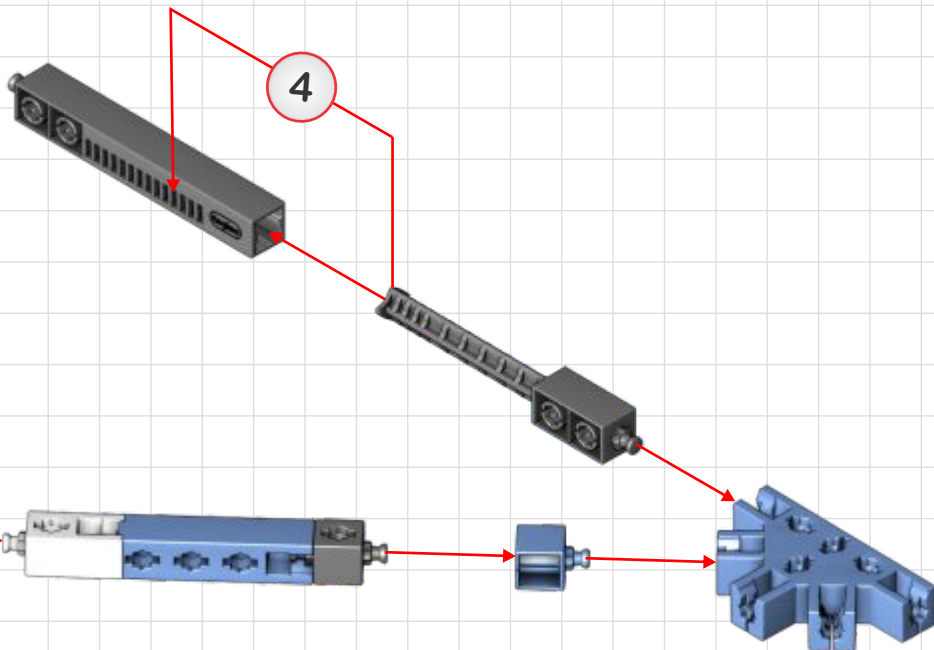
07 x4



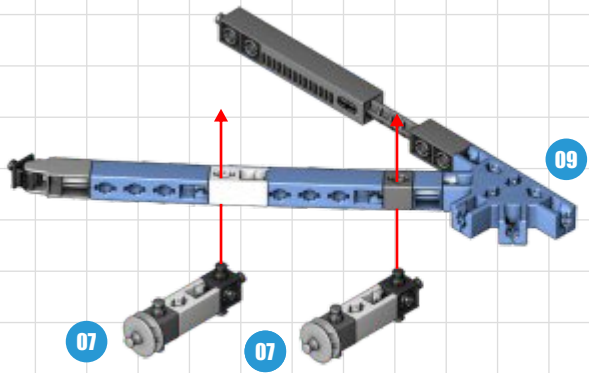
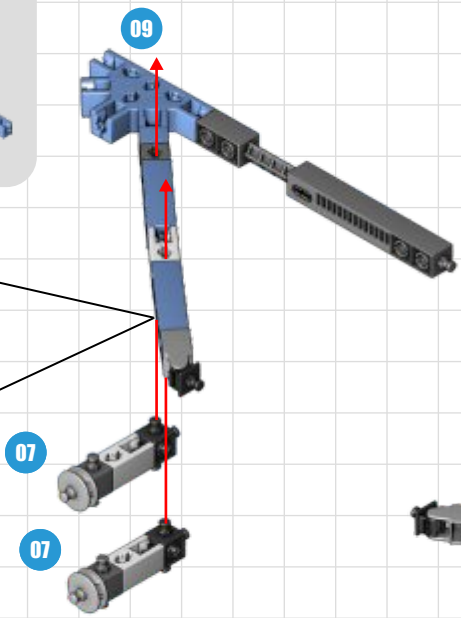
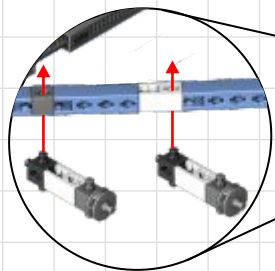
08 x2



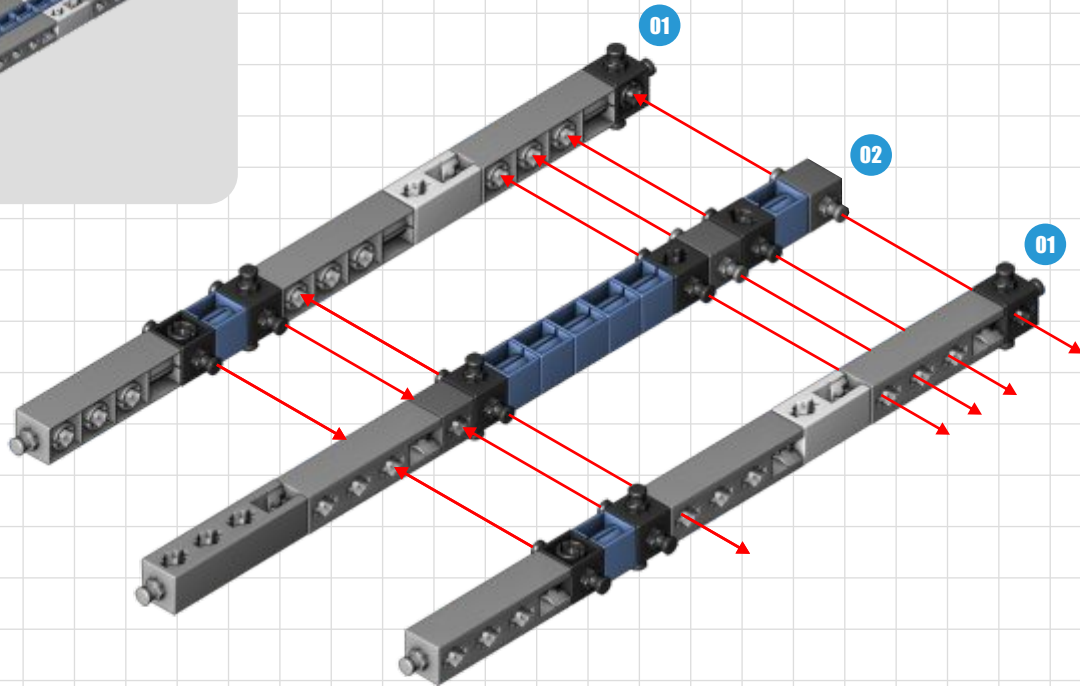
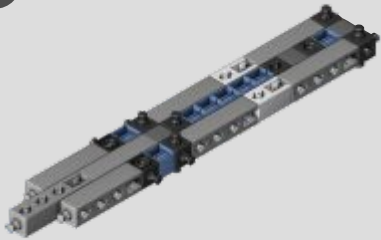
09 x2



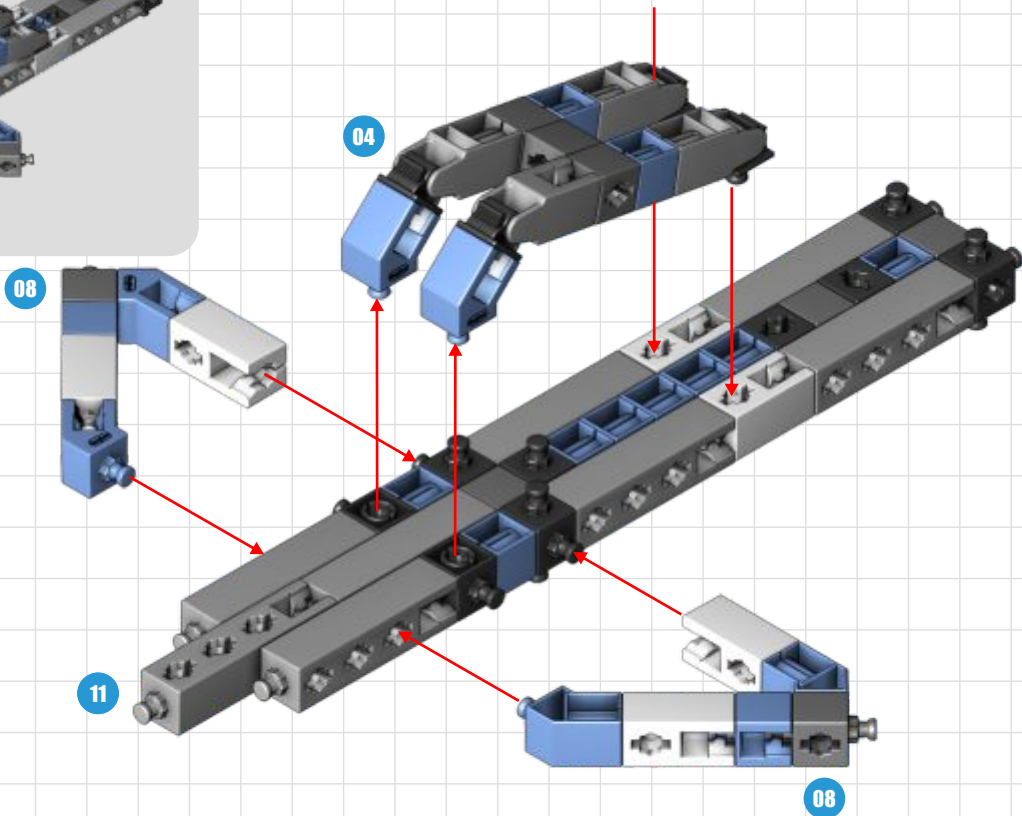
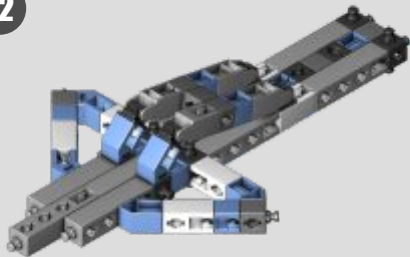
10

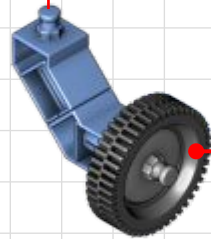
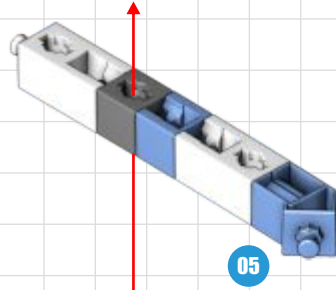
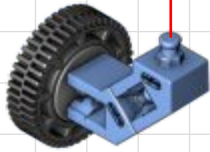
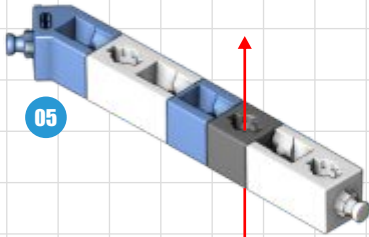


11

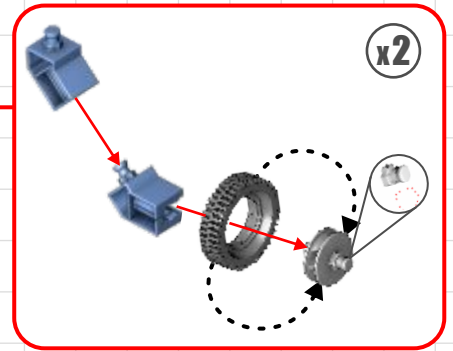
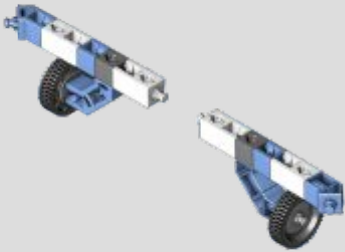


12





13



14

