

LASER PEGS®

The Ultimate Construction Toy For Kids®

**G1700B
SPIDER KIT
AGES 5+**

12 Models+
Any creation you can build

LIGHTED
CONSTRUCTION SET INCLUDES:

- 15 Laser Pegs®
- 148 Construction Parts
- Laser Pegs® Power Cord
- Triangle Power Base
- Instruction Manual

Requires 3-AA Batteries

Batteries NOT
Included

EN71, RoHS COMPLIANT

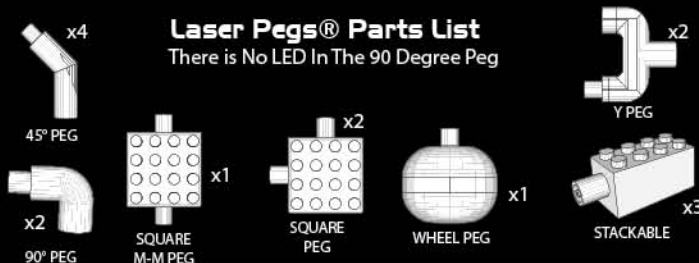
**WARNING:
CHOKING HAZARD**-Small parts.
Not for children under 3 yrs.
Do not submerge in water.

This product complies to
all safety requirements
of ASTM F 963

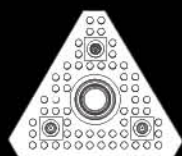


MODEL INSTRUCTIONS

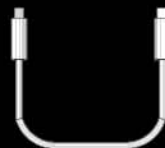
All additional model instructions can
be downloaded at www.LaserPegs.com



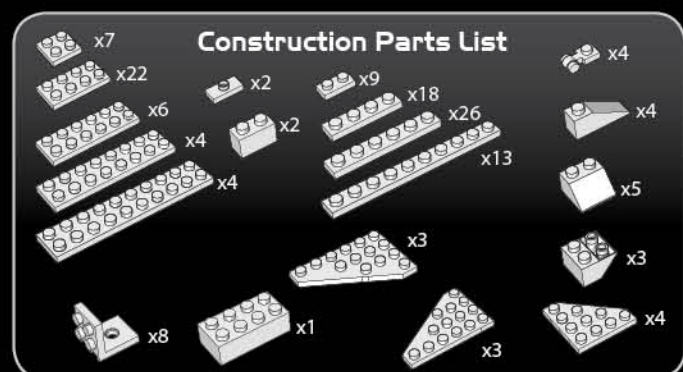
Each Laser Peg® is color coded on the circuit board inside each shape. There is No LED In The 90 Degree Peg.



Sound Activated
Triangle Power Base



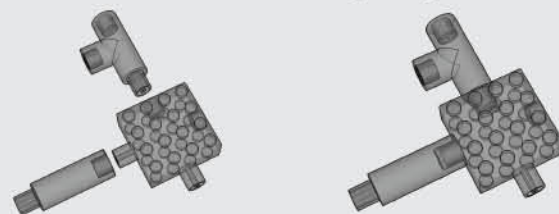
Laser Pegs®
Peg Cord



www.LaserPegs.com

This manual is copyright and cannot be reproduced or used online without Laser Pegs® Ventures LLC permission. Copyright 2014 © All Rights Reserved US Patent #7,731,558 Additional Global & Multiple Patents Pending. Laser Pegs® Ventures LLC. 8304 Consumer Ct Sarasota FL. 34240. Contact: Support@LaserPegs.com

Connecting Pegs



To construct with Laser Pegs®, slide two pieces together to form a connection. Slide each piece on and off smoothly. The 90° Pegs are essential to construction but they DO NOT LIGHT UP.

Environmental Phenomena

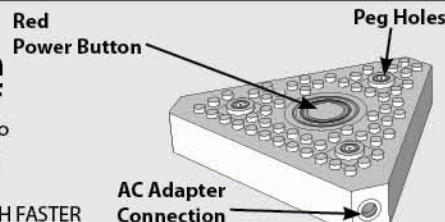
* The unit may malfunction if subjected to radio-frequency interference. It SHOULD revert to normal operation when the interference stops. If not, it may become necessary to turn the power off and back on, or remove and reinstall the batteries.

* In the unlikely event of an electrostatic discharge, the unit may malfunction and lose memory, requiring the user to reset the device by removing and reinstalling the batteries.

Push Red Power Button to turn on/off

Push Red Power Button to cycle through 4 different light settings.

SOUND/ON/FLASH/FLASH FASTER



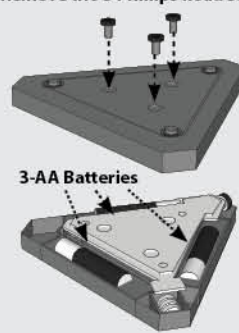
**WARNING: STROBE LIGHTS
MAY CAUSE SEIZURES**

The toy is not to be connected to more than the recommended number of power supplies

Replacing Batteries

1. Remove the three (3) screws.
2. Place three (3) AA batteries in the correct position - as displayed inside the Triangle Power Base.
3. Reassemble the Triangle Power Base.
4. Replace the three (3) screws.
5. Push RED Power Button to turn on!
6. Do not mix old and new batteries.
7. Do not mix alkaline, standard (carbon-zinc), or rechargeable (nickel-cadmium, NiMH) batteries!
8. Exhausted batteries are to be removed from the Triangle Power Base.
9. Never connect more than 200 Laser Pegs®
10. Non-rechargeable batteries are not to be recharged.
11. Rechargeable batteries are only to be recharged under adult supervision.
12. Rechargeable batteries are to be removed from the toy before being recharged.
13. Batteries are to be inserted with the correct polarity.
14. The supply terminals are not to be short-circuited.
15. DO NOT THROW BATTERIES INTO FIRE!

Remove the 3 Phillips head screws



3-AA Batteries

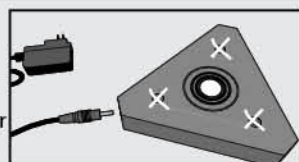


Remove the three Phillips head screws with a 4mm screw driver.
Requires (3AA) Batteries

Please dispose of batteries properly as per state and local regulations.

Using an AC Adapter

Remove all batteries from Laser Pegs® power base before using the 5-volt AC adapter.



When using an AC Adapter, NEVER place the adapter plug into the Triangle Power Base top peg holes.

*To avoid short-circuits, keep metal objects and other unauthorized materials from obstructing the peg holes.

Never connect more than 200 Laser Pegs® when using a 5-volt (2000mA) AC Adapter.

The AC adapter and the Triangle Power Base are to be regularly examined for damage to the cord, plug, enclosure and other parts, and in the event of such damage, they must not be used until the damage has been repaired.

WARNING! Each Laser Peg® draws current from the batteries. Therefore, the more pegs you use, the quicker you will deplete your battery power! As the power weakens, the current will slowly fail and some Laser Pegs® will illuminate (typically the reds and yellows) and some won't. When the Laser Pegs® dim the Laser Pegs® are not broken, they just need stronger batteries or an AC Adapter. You have 3 simple options...

1. Use a 5-volt AC Adapter -available from www.LaserPegs.com
2. Change the batteries.
3. Use high quality batteries. They will last a little longer, but they will still deplete rapidly the more laser pegs you connect!

DO NOT SUBMERGE IN WATER

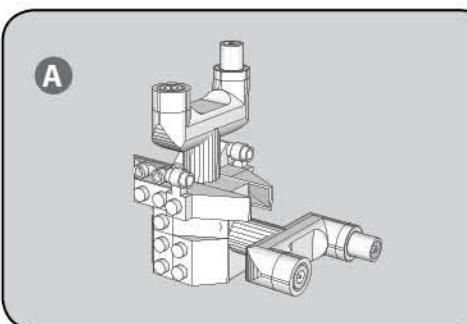
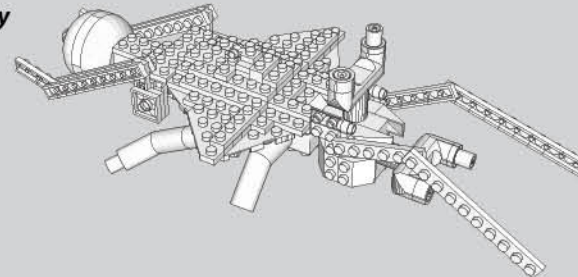
FLYING ANT: The mother or father ants that have wings and produce the ant colony.



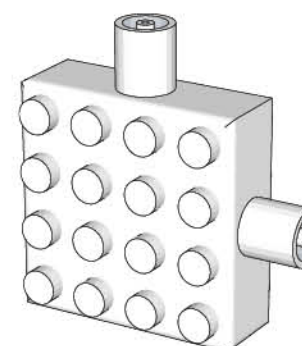
FLYING ANT

Model
Difficulty
Level

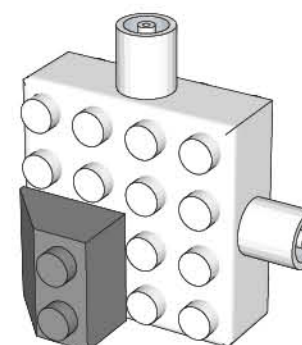
3



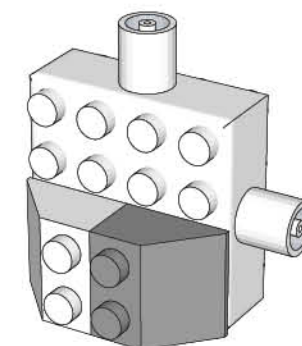
STEP
1



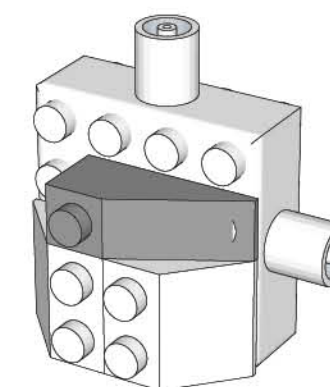
STEP
2



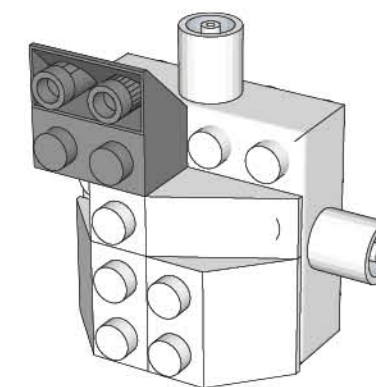
STEP
3



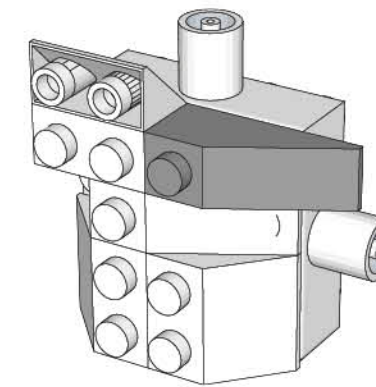
STEP
4



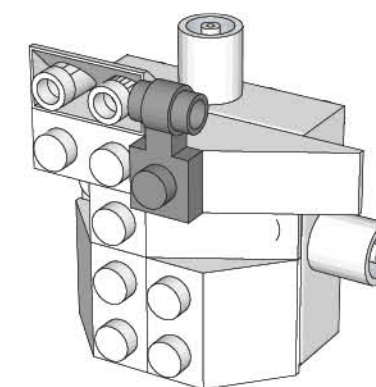
STEP
5



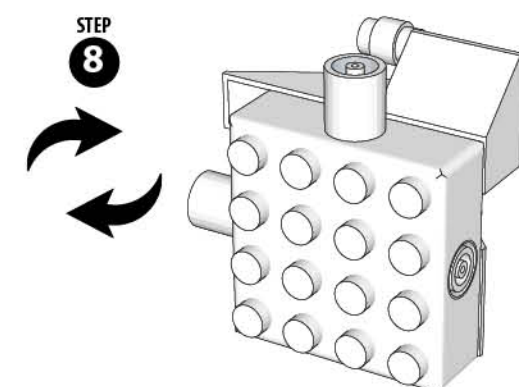
STEP
6



STEP
7



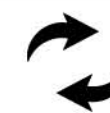
STEP
8



COMBINE
PARTS

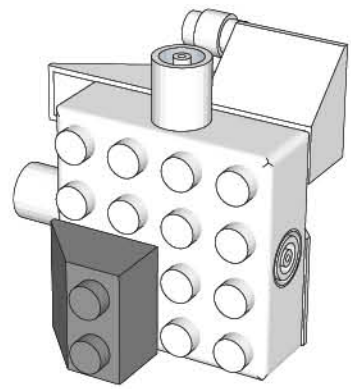


FLIP MODEL
OVER

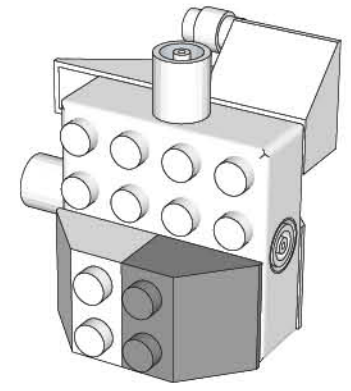


ROTATE
MODEL

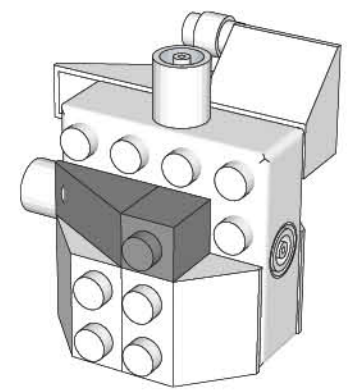
STEP 9



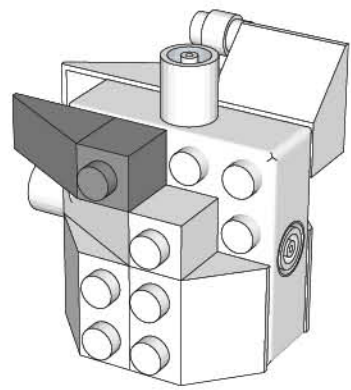
STEP 10



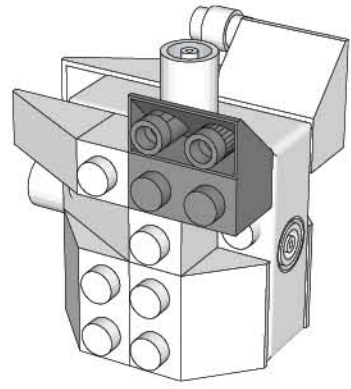
STEP 11



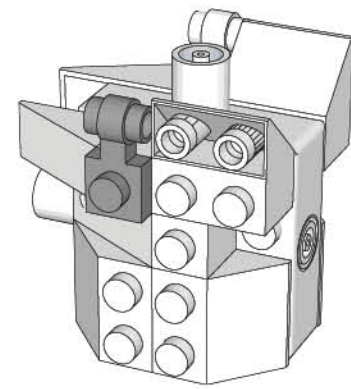
STEP 12



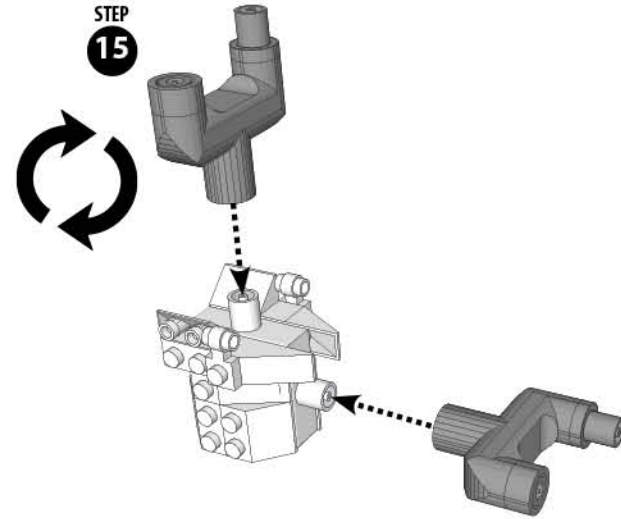
STEP 13



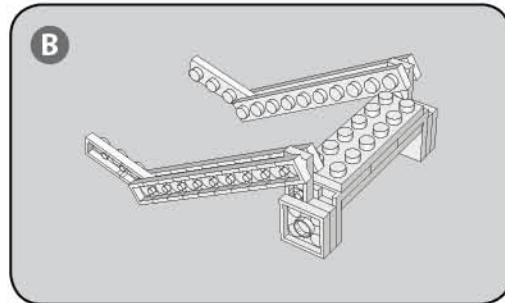
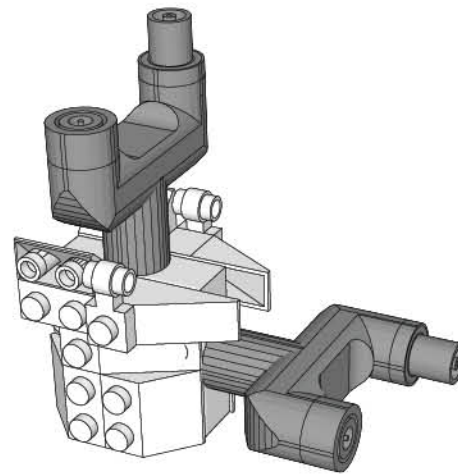
STEP 14



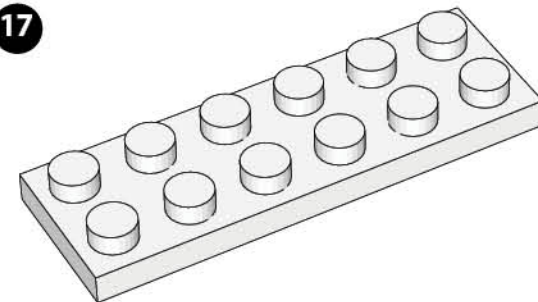
STEP 15



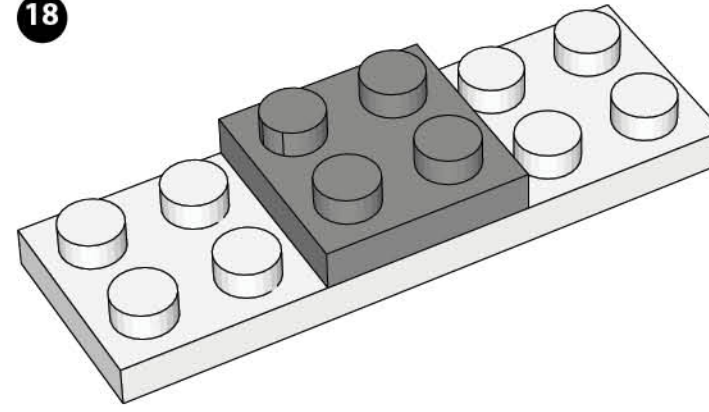
STEP 16



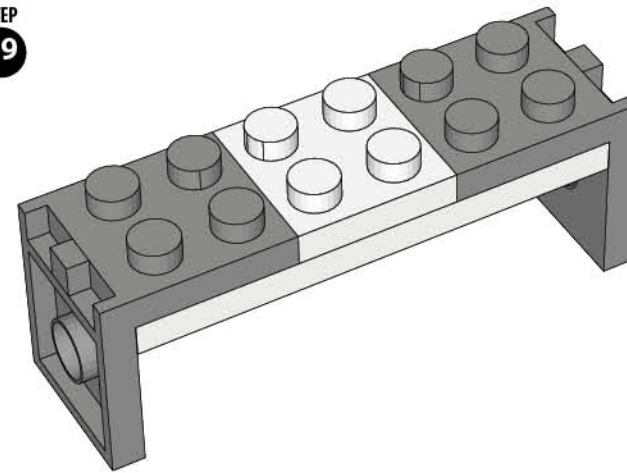
STEP 17



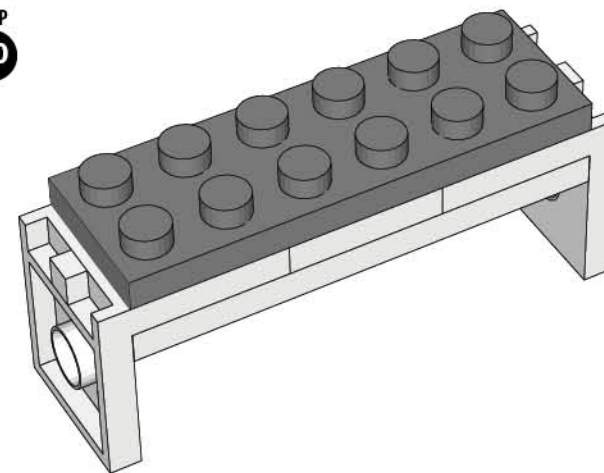
STEP 18



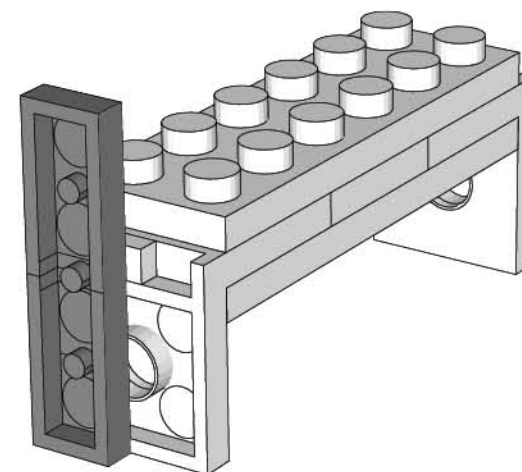
STEP 19



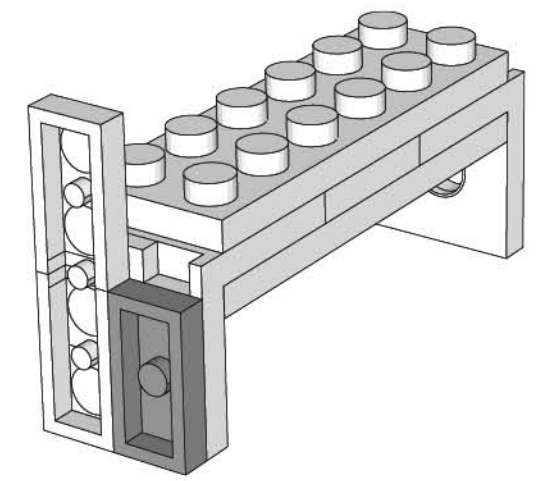
STEP 20



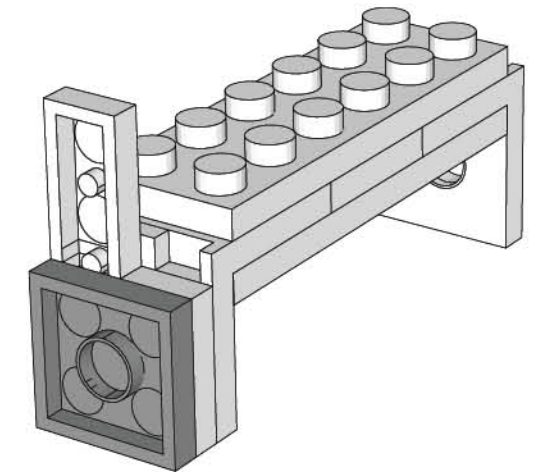
STEP 21



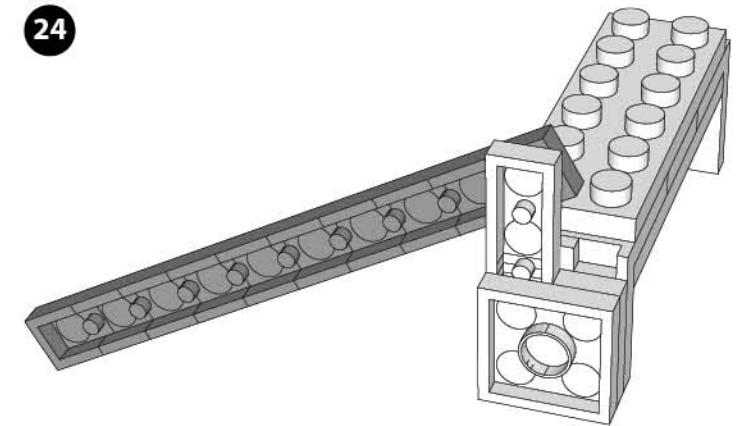
STEP 22



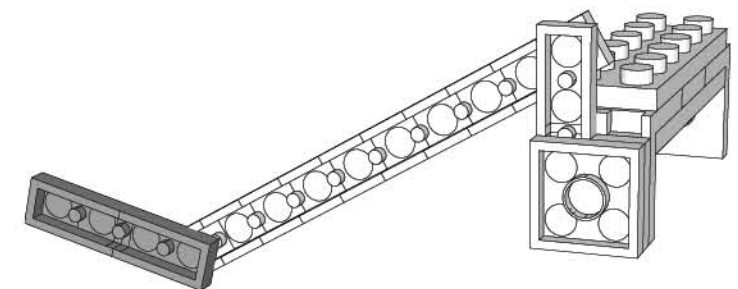
STEP 23



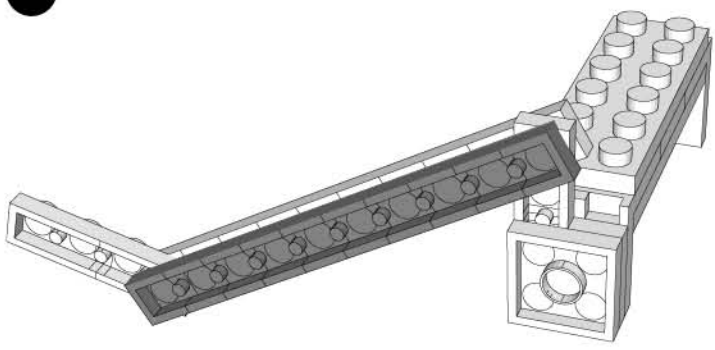
STEP 24



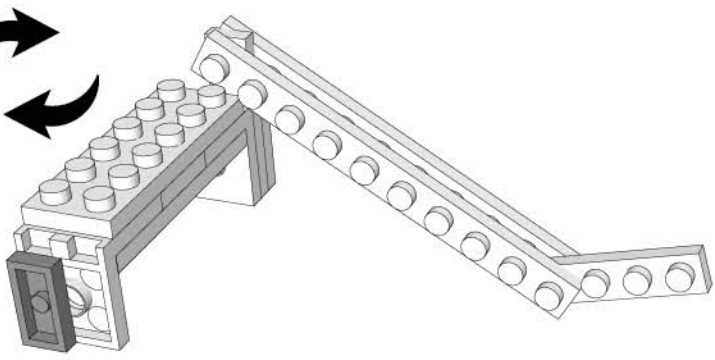
STEP 25



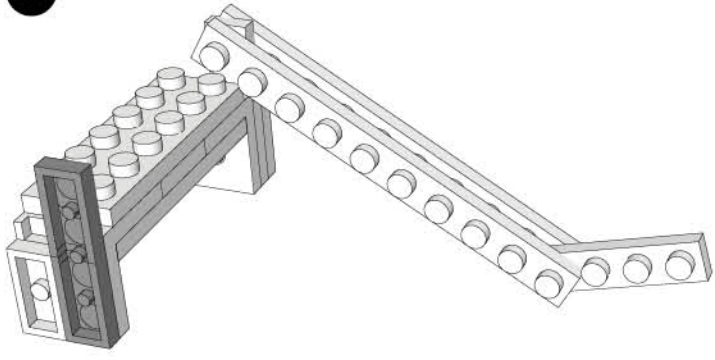
STEP 26



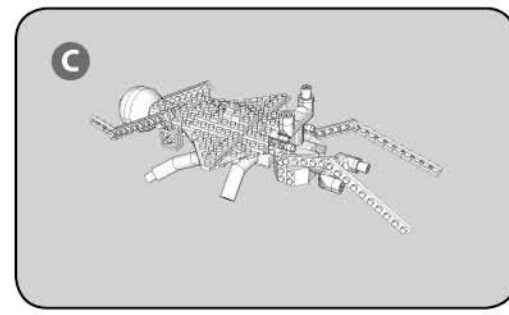
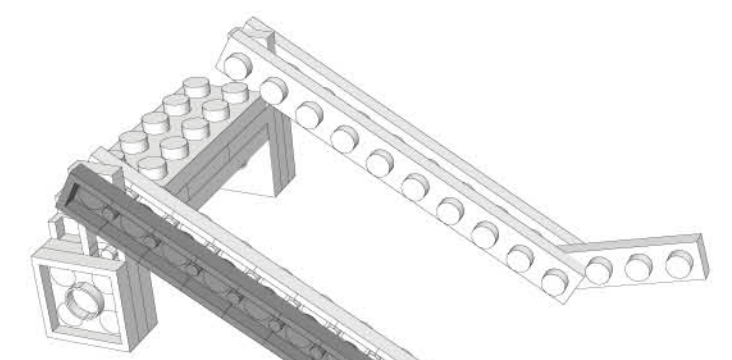
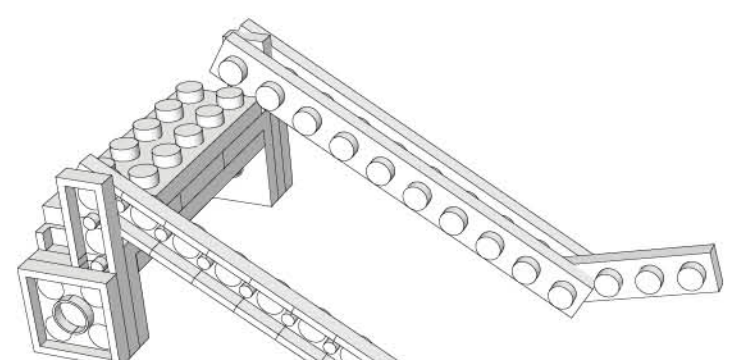
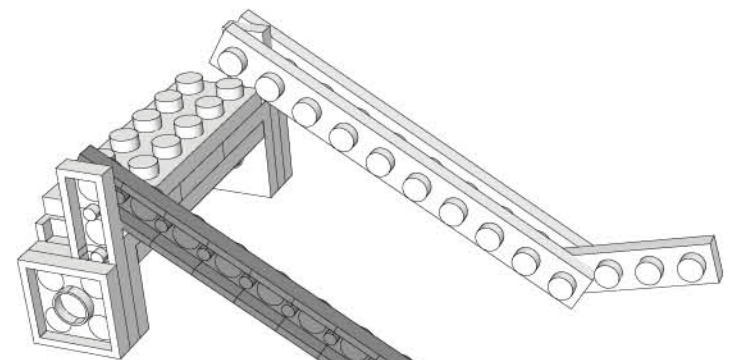
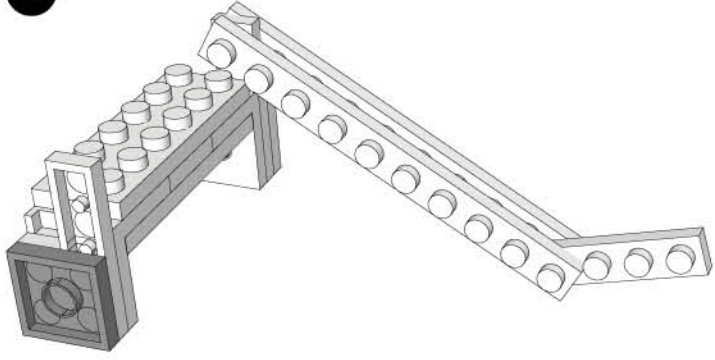
STEP 27



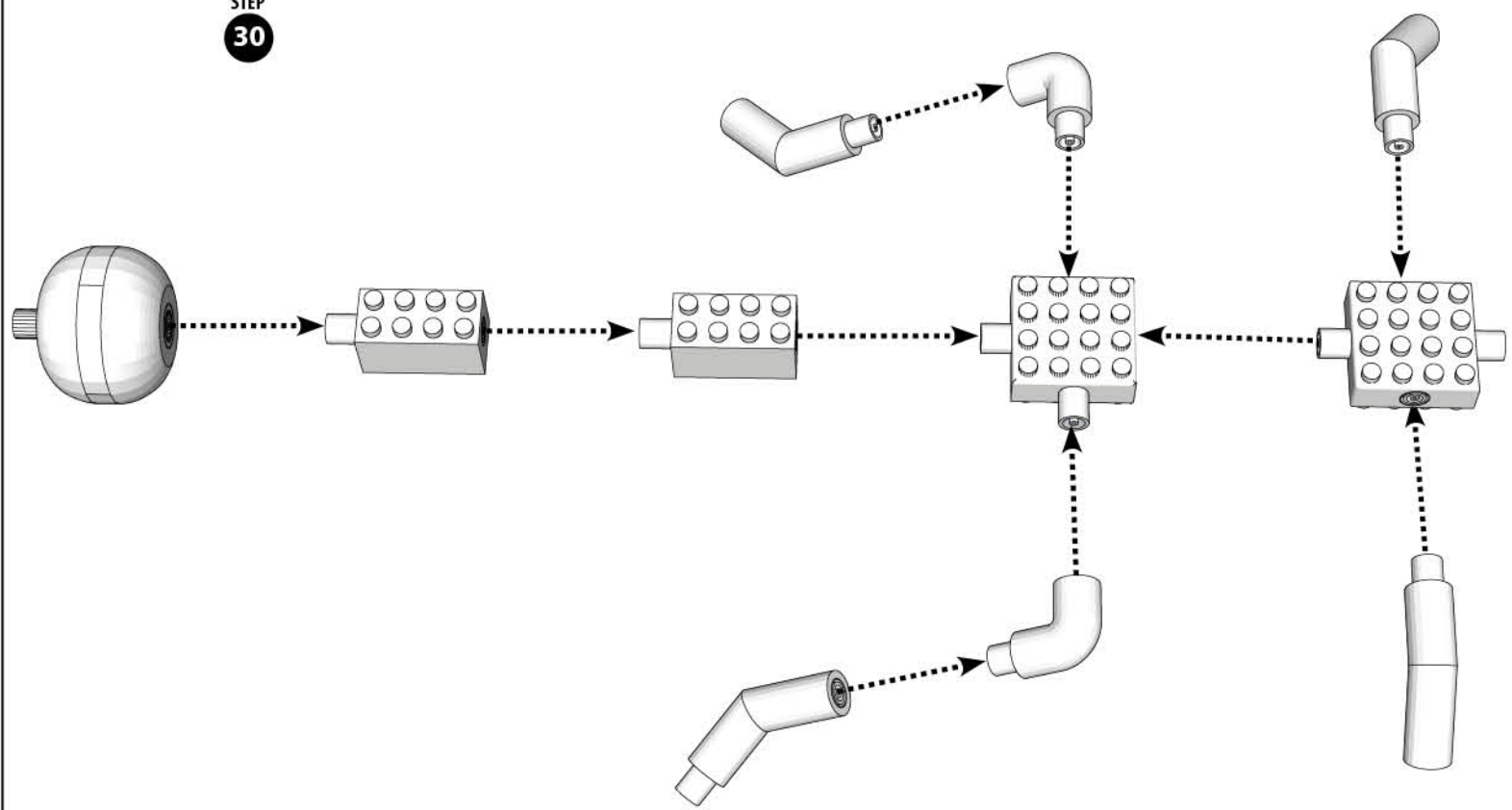
STEP 28



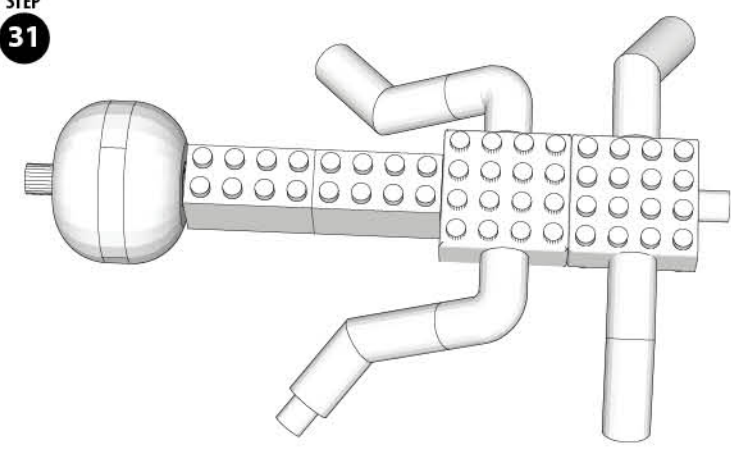
STEP 29



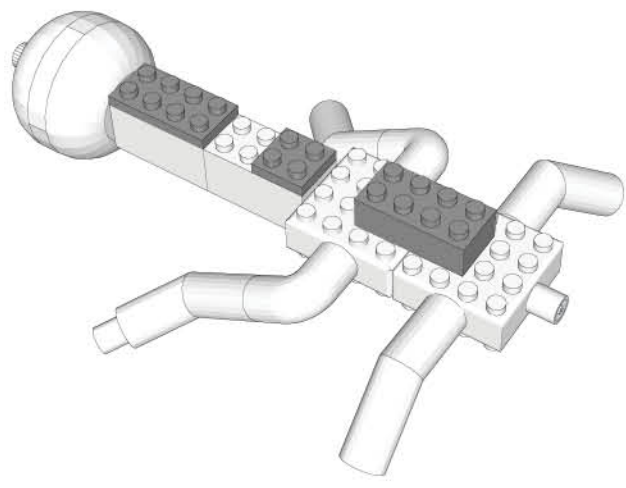
STEP 30



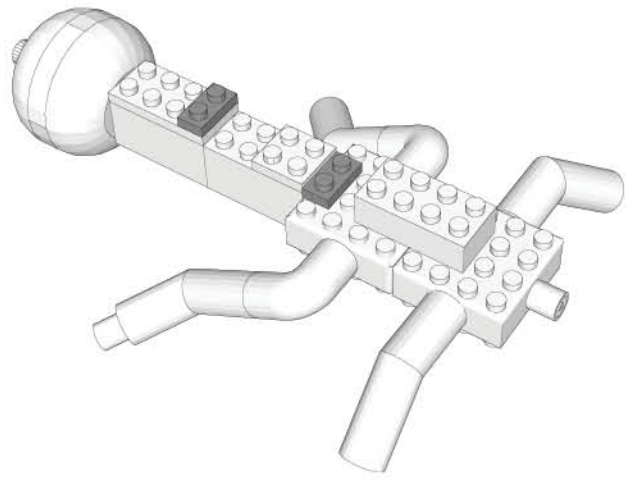
STEP 31



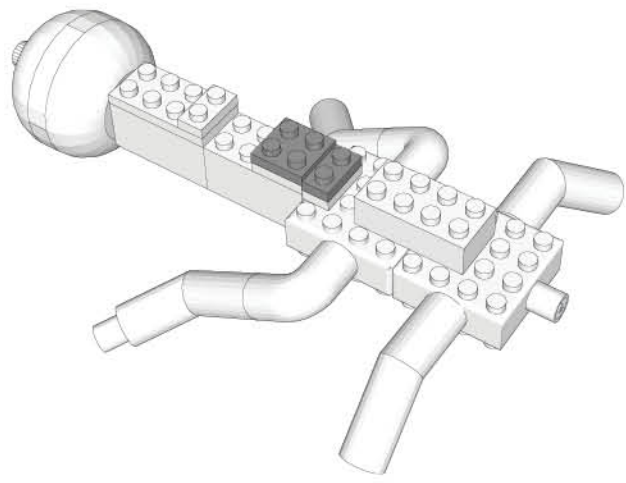
STEP 32



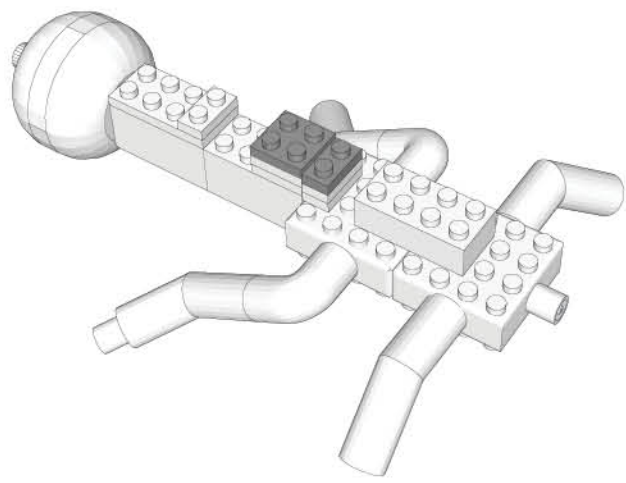
STEP 33



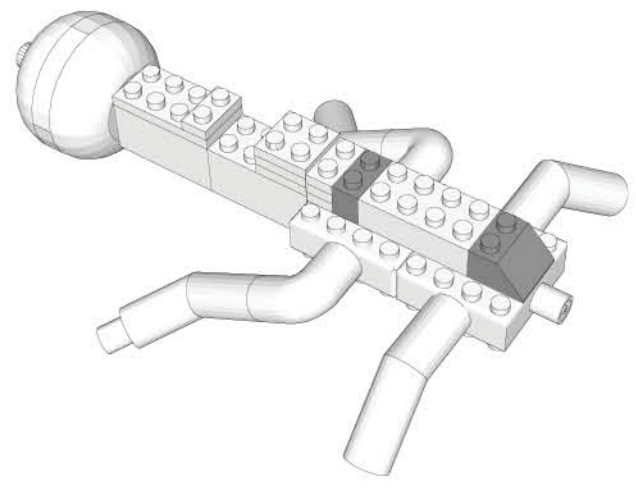
STEP 34



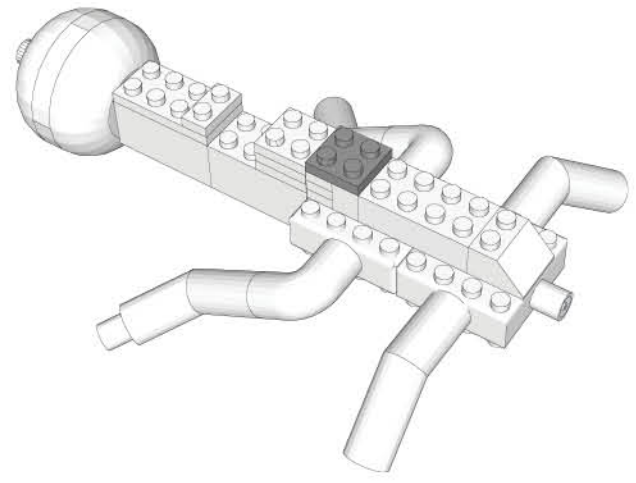
STEP 35



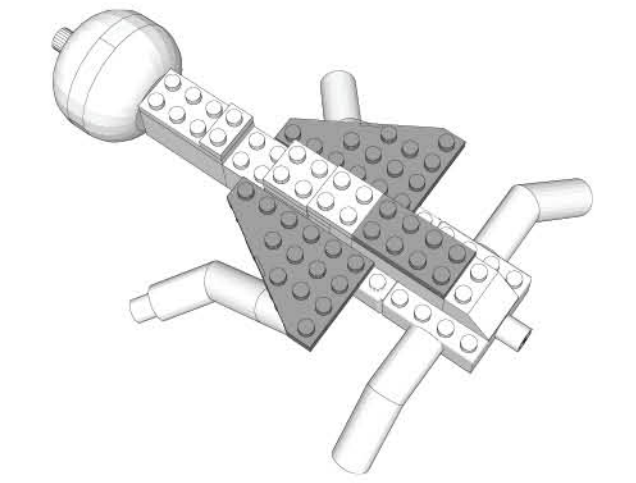
STEP 36



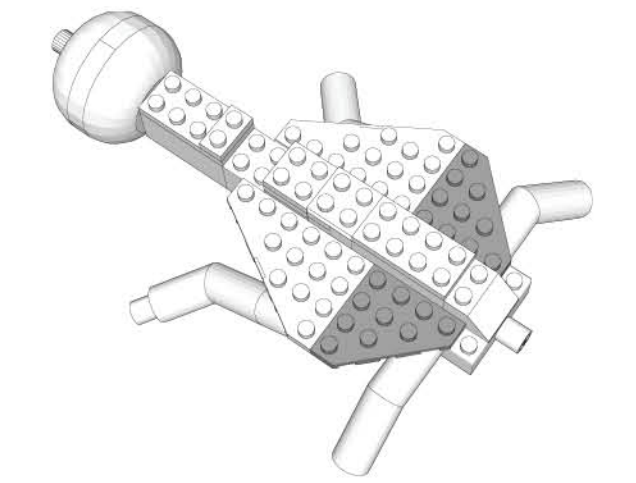
STEP 37



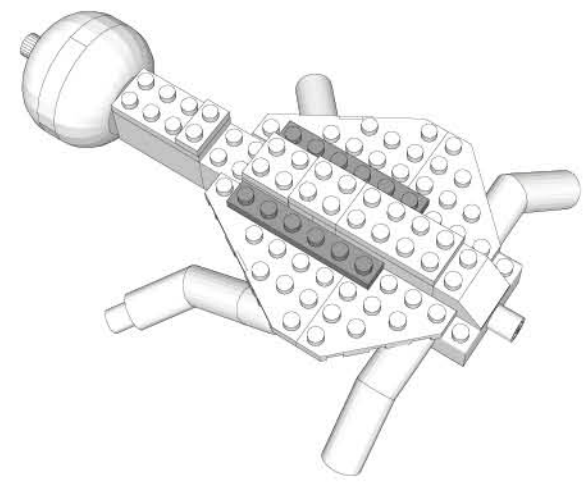
STEP 38



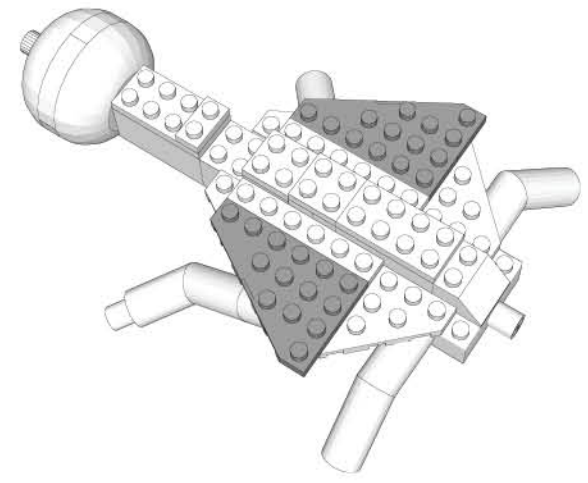
STEP 39



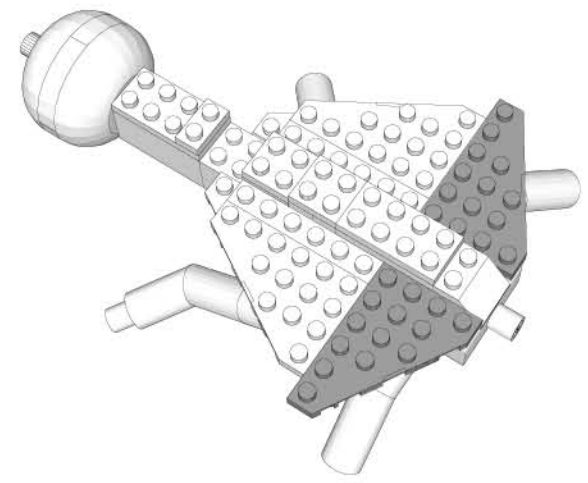
STEP 40



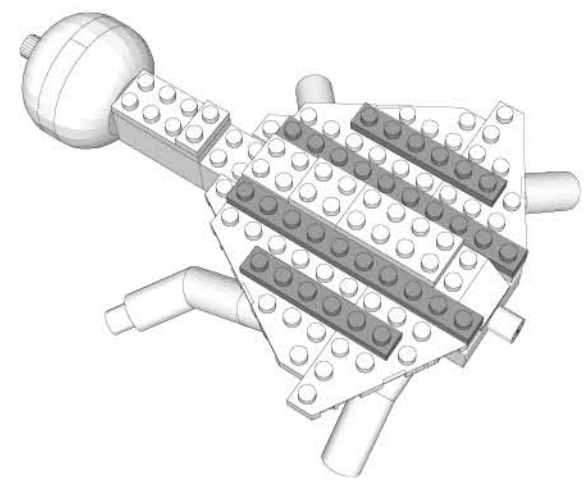
STEP 41



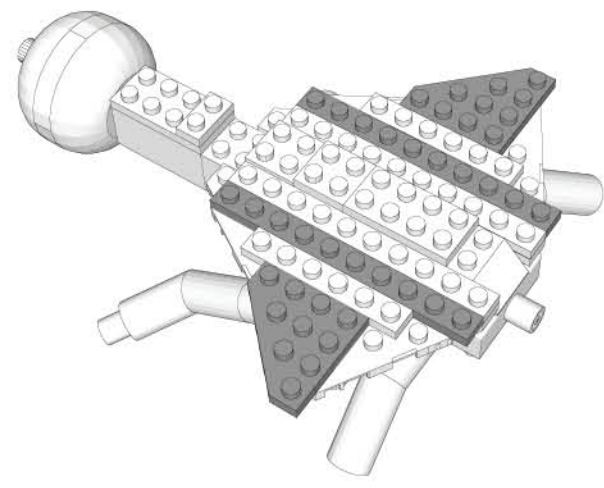
STEP 42



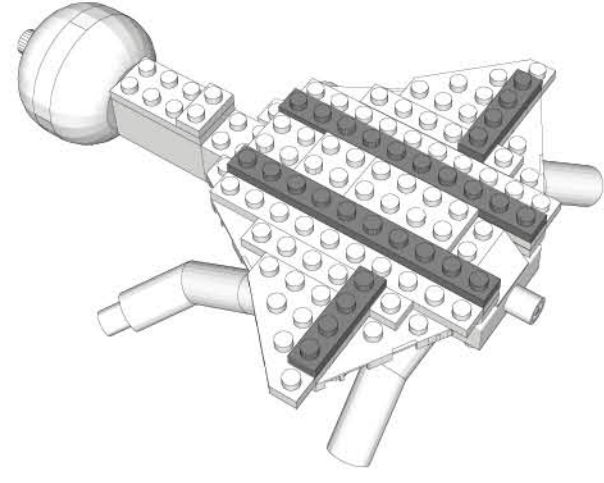
STEP 43



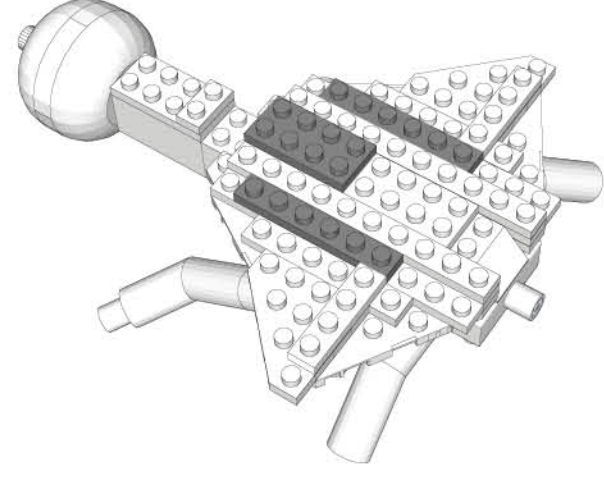
STEP 44



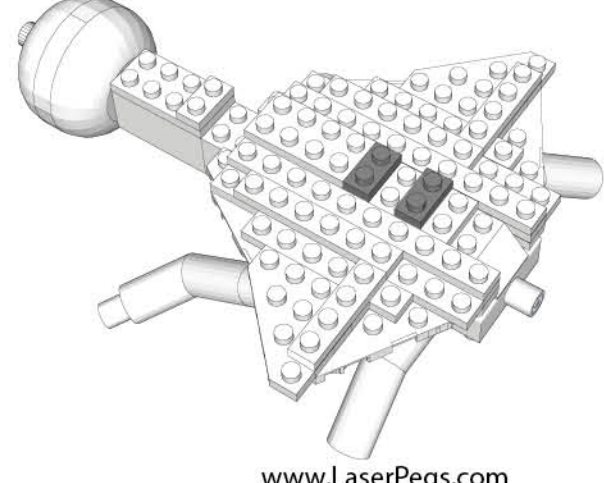
STEP 45



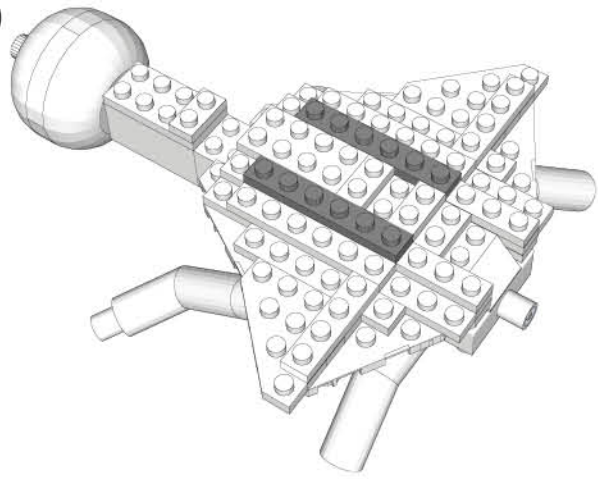
STEP 46



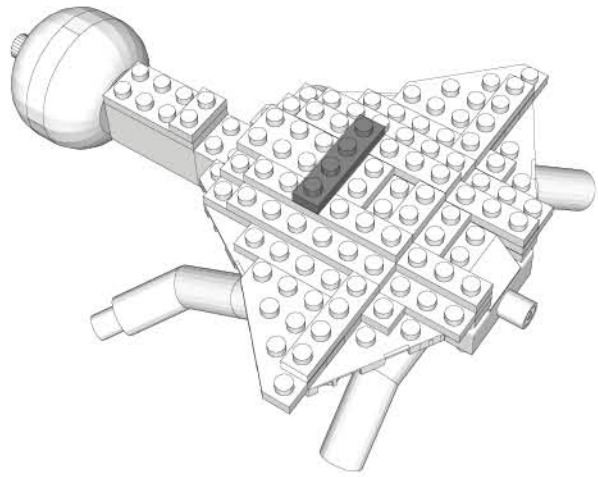
STEP 47



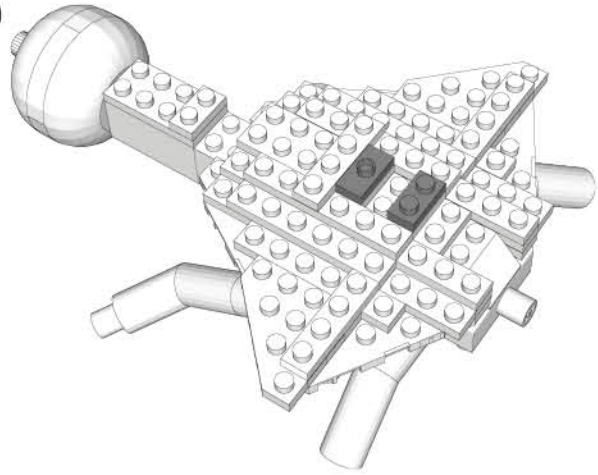
STEP
48



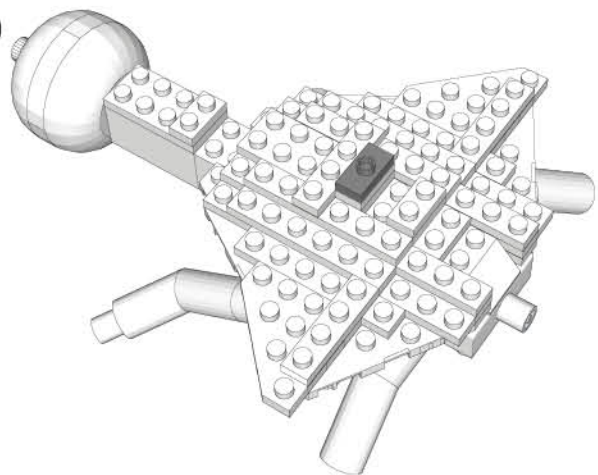
STEP
49



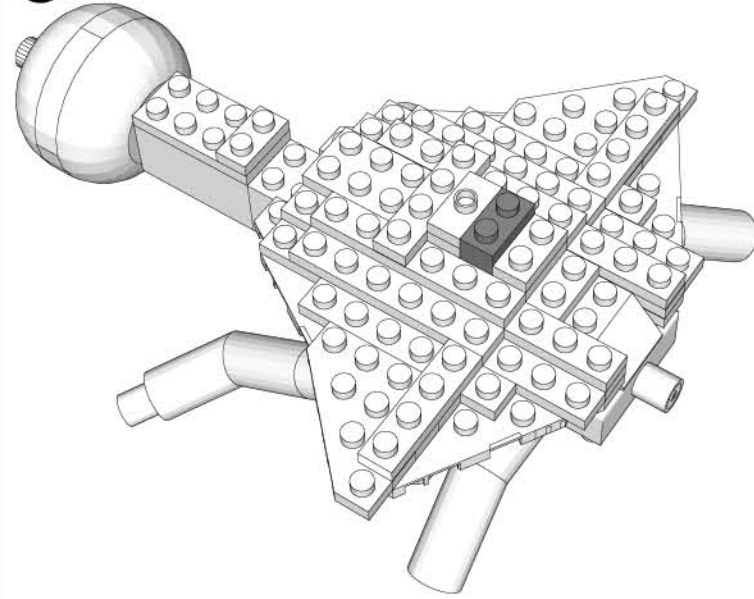
STEP
50



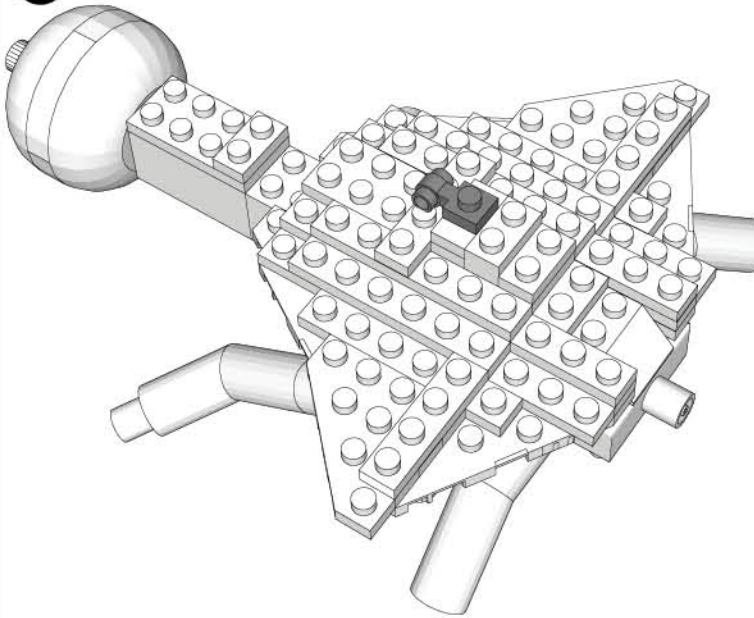
STEP
51



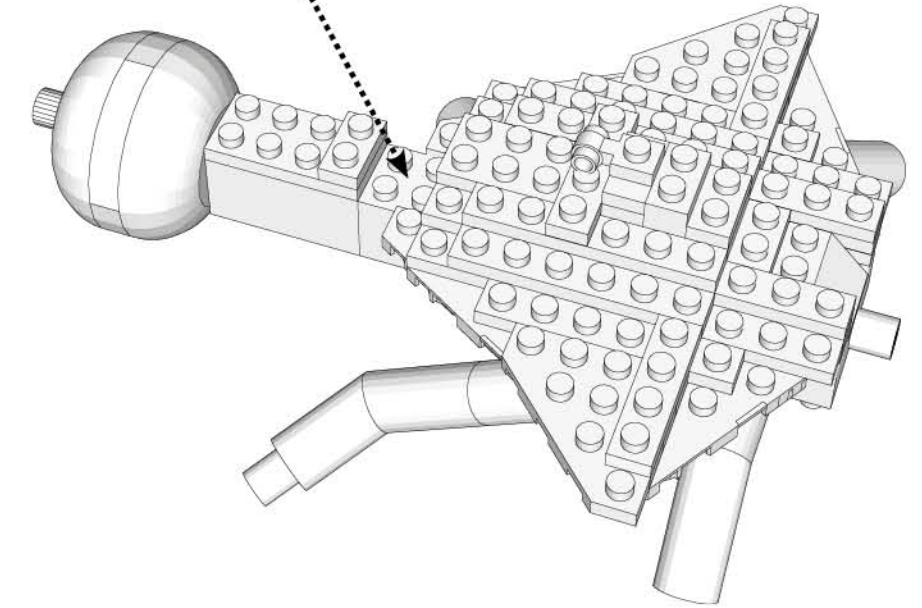
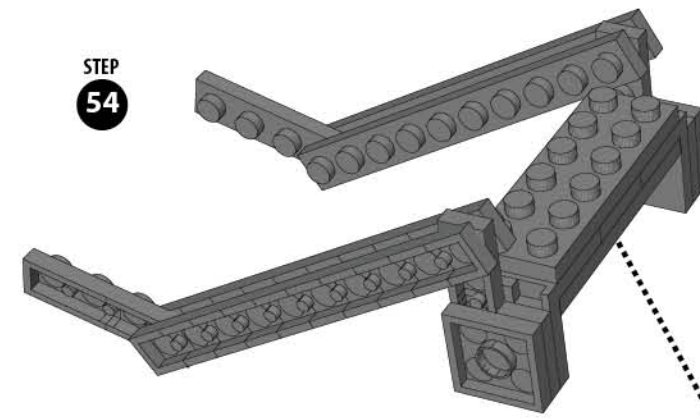
STEP
52



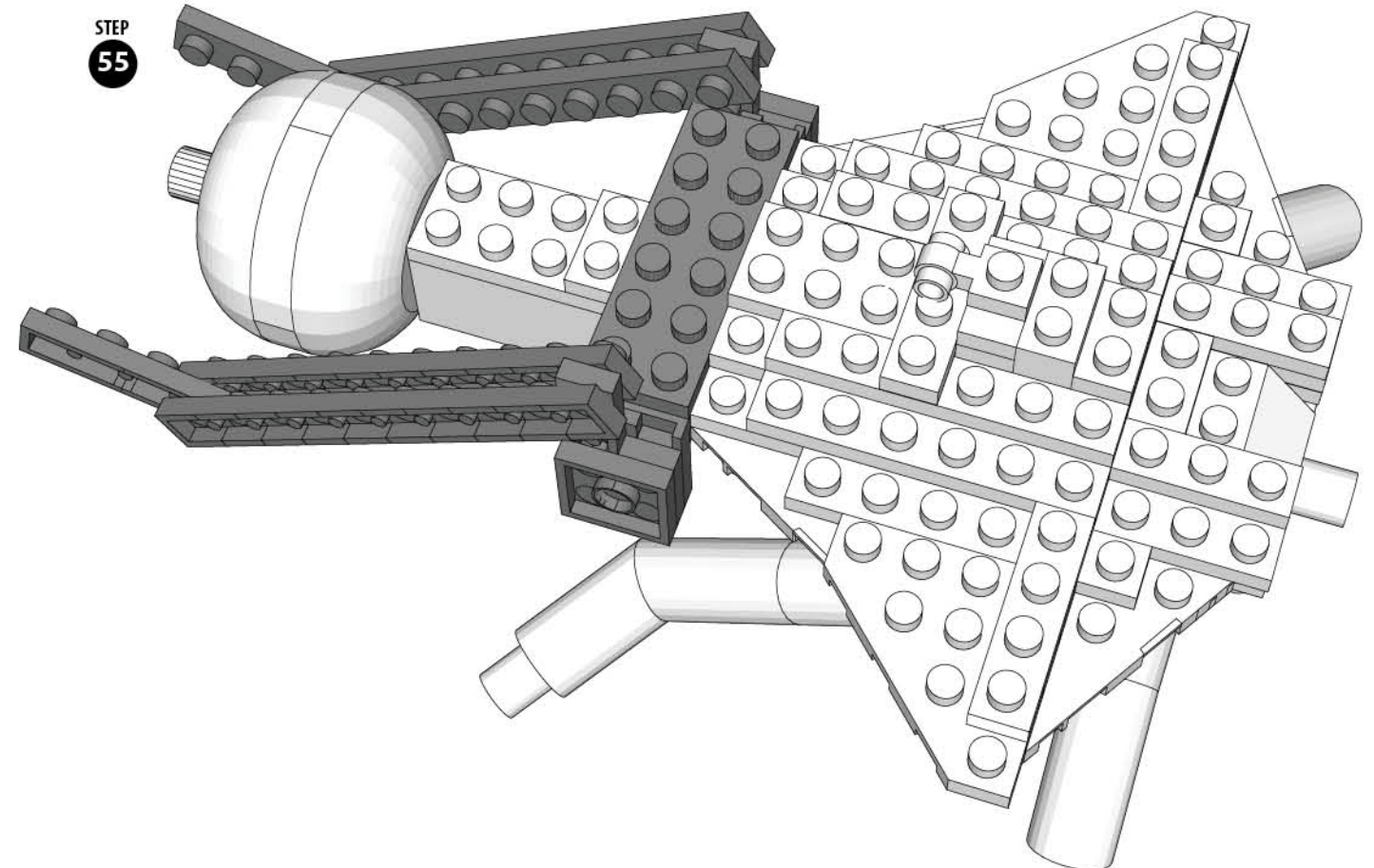
STEP
53



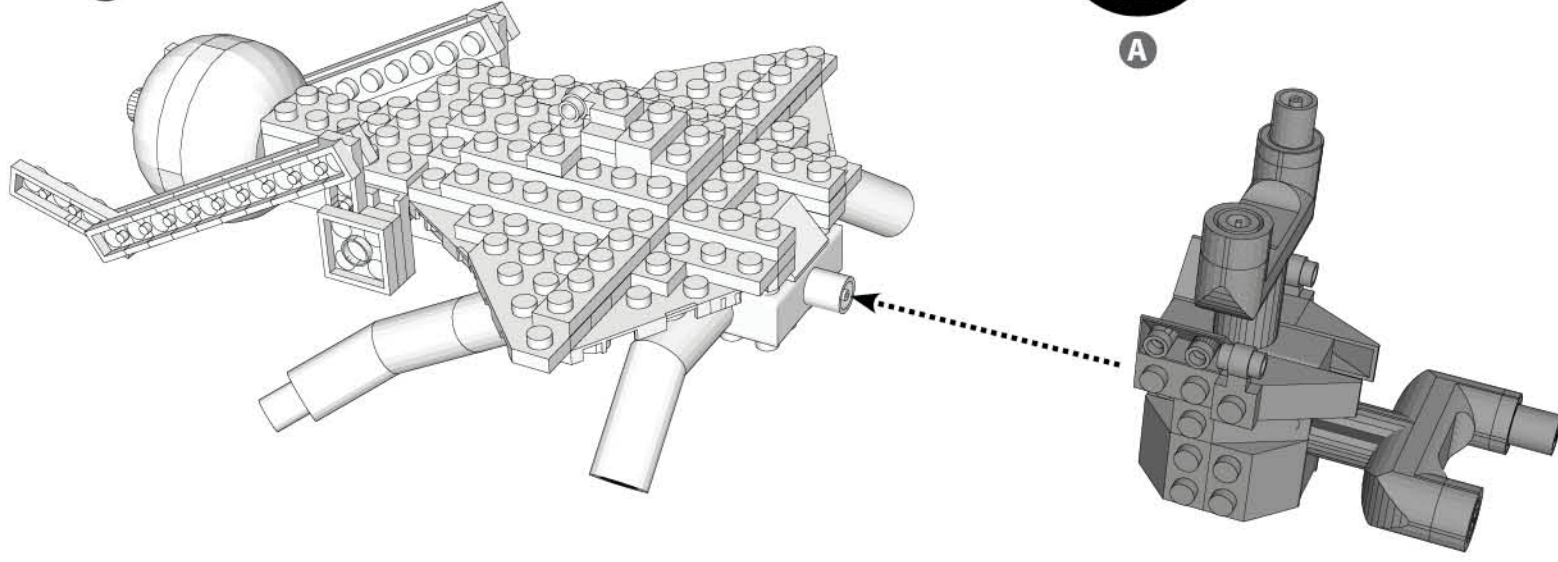
STEP
54



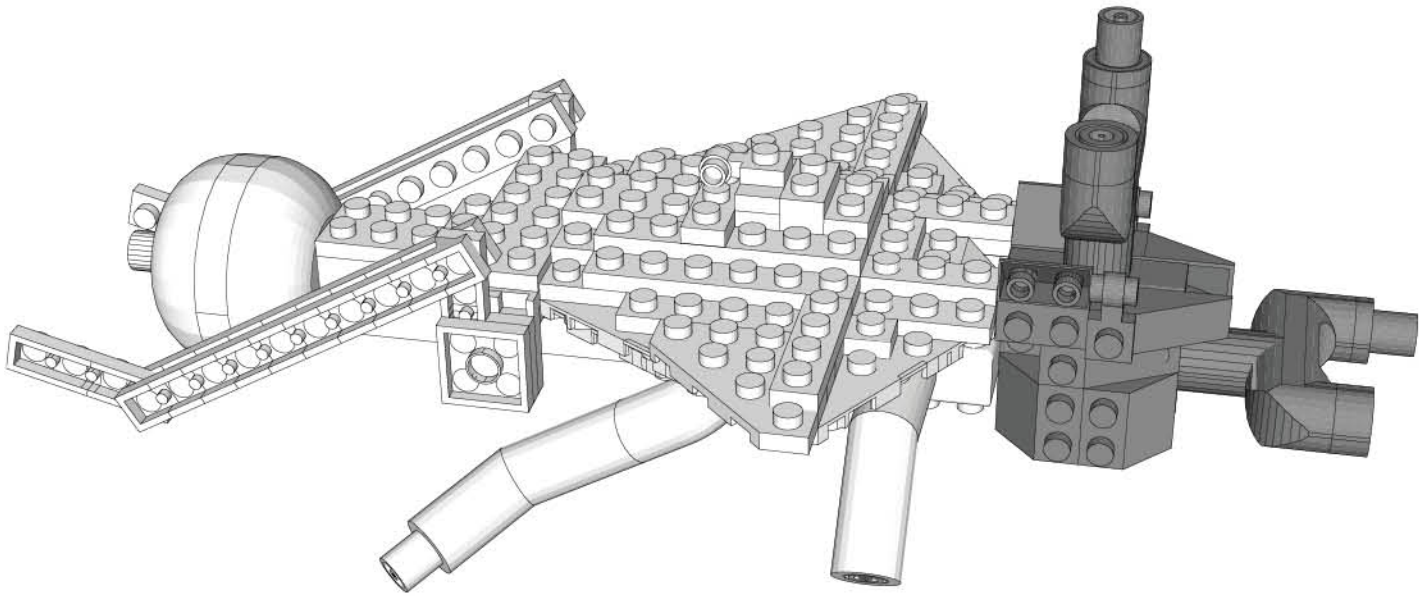
STEP
55



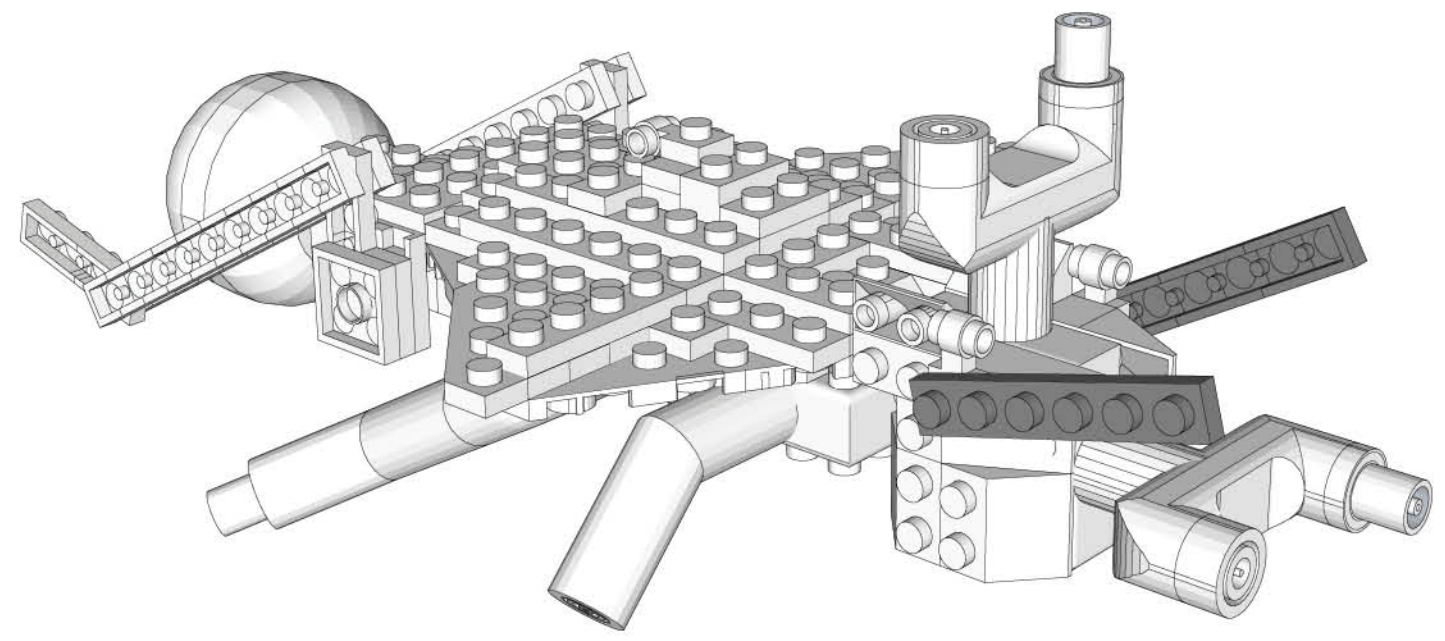
STEP
56



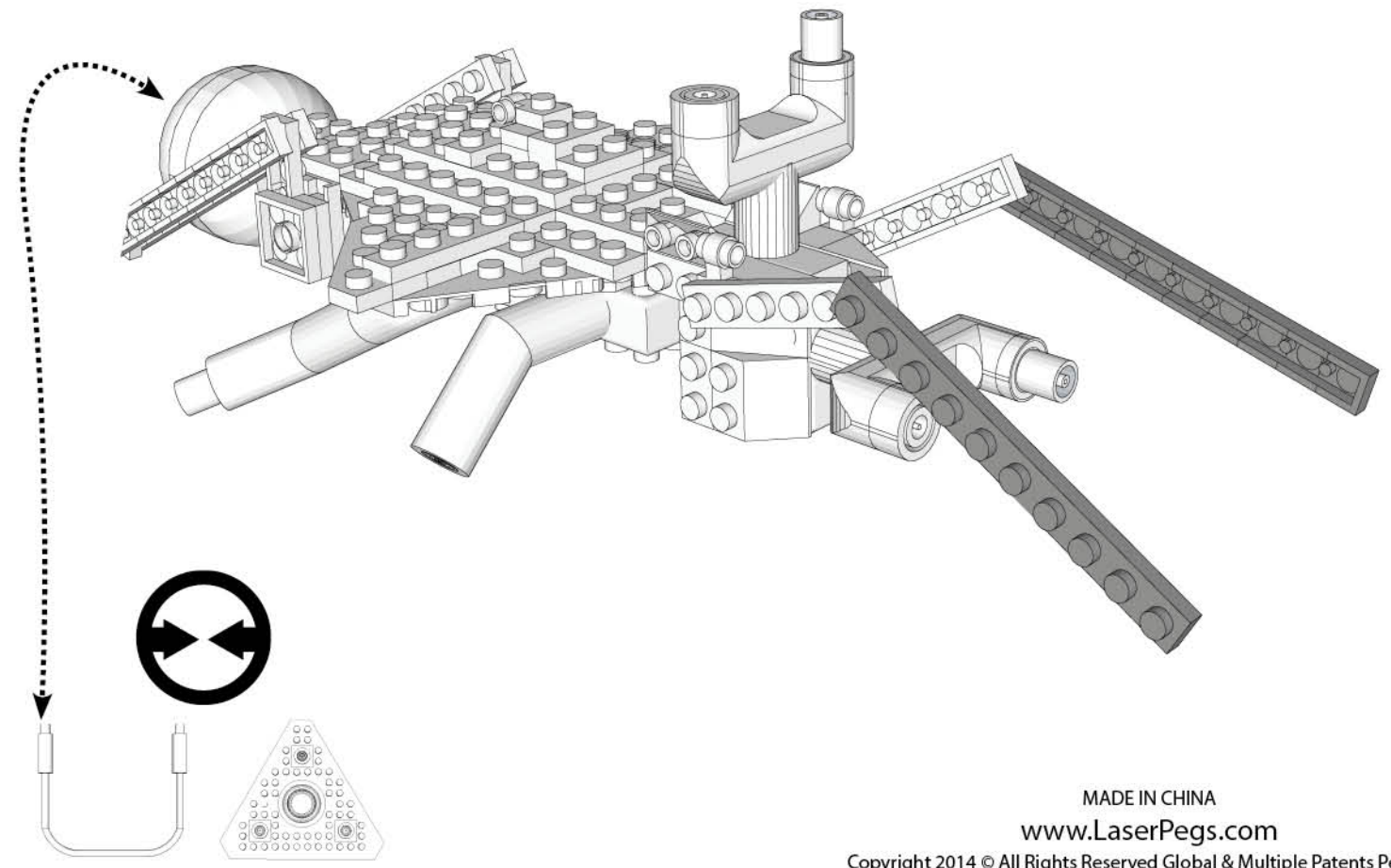
STEP
57



STEP
58



STEP
59



FCC Notice:
 This device complies with Part 15 of the FCC rules. Operation is subject to the following two conditions:
 1) This device may not cause harmful interference, and
 2) This device must accept any interference received, including interference that may cause undesired operation.

CANICES-3 (B) / NMB-3 (B)

NOTE: This equipment has been tested and found to comply with the limits for a Class B digital device, pursuant to Part 15 of the FCC Rules. These limits are designed to provide reasonable protection against harmful interference in a residential installation. This equipment generates, uses and can radiate radio frequency energy and, if not installed and used in accordance with the instructions, may cause harmful interference to radio communications. However, there is no guarantee that interference will not occur in a particular installation. If this equipment does cause harmful interference to radio or television reception, which can be determined by turning the equipment off and on, the user is encouraged to try to correct the interference by one or more of the following measures:
 - Reorient or relocate the receiving antenna.
 - Increase the separation between the equipment and receiver.
 - Consult the dealer or an experienced radio/TV technician for help.

Laser Pegs® CARES
Questions? Comments?
For additional compliance info:
1-866-432-3735
Contact: Support@LaserPegs.com

MADE IN CHINA
 www.LaserPegs.com
 Copyright 2014 © All Rights Reserved Global & Multiple Patents Pending.
 US Patent #7,731,558